

WHIZ 2.0

SPECIFICATION SHEET
OUTDOOR & NATATORIUM

SLEEK AND ARCHITECTURAL
HIGH CEILING SOLUTION

Housing

Diameter : Ø16.24" | Height : 4.4" | Weight : 33 lbs

Material

Housing : High Pressure Die-Cast Aluminum
Lens : High transmittance clear tempered glass

Power Input

120W, 170W, 240W, 300W | 120V, 120-277V, 347-480V

Lumen Output

13,900 lm (120W), 19,600 lm (170W), 26,700 lm (240W), 35,400 lm (300W)

Dimming

Standard 0-10V : dims to 10%
DALI: Dims to 1%

Color Quality

CRI 75, CRI 85

Rated Life

> 100,000 Hours (L70)

Finish



Black



White

Color Temperature



3000K



3500K



4000K



5000K

Optics



25°



40°



60°



WIDE

Warranty

5 Year limited warranty

Listing



Designed For The Ones Who Expect The Extraordinary.

The Whiz 2.0 redefines high ceiling design, with a High Bay look that is unlike any other. This architectural fixture is suitable for mounting heights of 30ft and above and delivers high performance as well as clean aesthetics.

The Whiz 2.0 can be configured for both direct and indirect lighting, is available in Wet Location listed ratings, as well as Archi-Color™ color-changing technologies.



METEOR

meteor-lighting.com

SPECIFICATION

PROJECT NAME

DATE

CATALOG #

QUANTITY

<input type="checkbox"/>	WS2	MODEL	WHIZ 2.0		
<input type="checkbox"/>		WATTAGE	120 120W 300 300W	170 170W	240 240W
<input type="checkbox"/>		CCT / CRI	308 3000K / CRI 85 507 5000K / CRI 75	358 3500K / CRI 85	408 4000K / CRI 85
<input type="checkbox"/>		VOLTAGE	UNV 120-277V	HVT 347-480V	120 120V
<input type="checkbox"/>		DIMMING	NOD Non-Dimming	STV Standard 0-10V dims to 10%	DALI DALI dims to 1%
<input type="checkbox"/>		BEAM ANGLE	25 25° WD¹ Wide (With diffuser)	40 40°	60 60°
<input type="checkbox"/>		FINISH	BLK Black	WHT White	
<input type="checkbox"/>		MOUNTING	ST2 Stem 2ft UP2 Uplight Stem 2ft AUP4 Adjustable Uplight 4ft	ST4 Stem 4ft UP4 Uplight Stem 4ft	AD10 Adjustable Cable 10ft AUP2 Adjustable Uplight 2ft
<input type="checkbox"/>		ACCESSORIES	NO No Accessories SNT³ Snoot	DF¹ Diffuser GSV⁴ Glare Shield Visor	WG² Wire Guard
<input type="checkbox"/>		RATING	OUT⁵ Outdoor Rating	NAT^{6,7} Natatorium Rating	

¹ Please factor in change in lumen output with Diffuser (-20% with WD; -12% with other degrees).

² Please factor in change in lumen output of -14%.

³ Please factor in change in lumen output of -30%.

⁴ Please factor in change in lumen output of -25%.

⁵ Outdoor Rating: Coating and wiring will be changed to high UV resistant and corrosion resistant materials for long-term operation in outdoor environments.

⁶ Natatorium Rating: Coating and sealant will be changed to high corrosion resistant materials to prevent damage from long-term exposure to chlorine vapors.

⁷ Natatorium specifications are only compatible with WD optics.

TECHNICAL DETAILS

Electrical

- 13,900 lm (120W), 19,600 lm (170W), 26,700 lm (240W)
35,400 lm (300W)
- Power Input: 120V, 120-277V, 347-480V
- Operating Temperature: -40°F~112°F
- Surge Protection: Built-in is 4KV
- Power Factor Greater than 0.9

LED Features

- Color Temperature : 3000K, 3500K, 4000K, 5000K
- CRI 75, CRI 85
- Long lasting LED luminaire tested under TM21 lumen maintenance L70 @ 100,000 Hrs
- Lumen Maintenance > 0.90 at 60,000 hours

Optics

- Beam Angle : 25°, 40°, 60°, WD (With diffuser)

Advanced Dimming

- Proprietary VX Driver™ is incorporated to all dimming options for video flicker-free lighting
- Standard 0-10V: dims to 10%
- DALI: Dims to 1%

Housing

- Diameter : Ø16.24"
- Height : 4.4"
- Weight : 33 lbs
- Material : High Pressure Die-Cast Aluminum, Tempered Glass

Mounting

- Stem Mount 2ft or 4ft
- Adjustable Cable 10ft
- Uplight Mount 2ft, 4ft
- Adjustable Uplight Mount 2ft, 4ft

Warranty

- 5-year limited warranty

Listing

- ETL Wet Location Listed
- CE
- UKCA
- FCC
- IP65

PERFORMANCE SUMMARY*

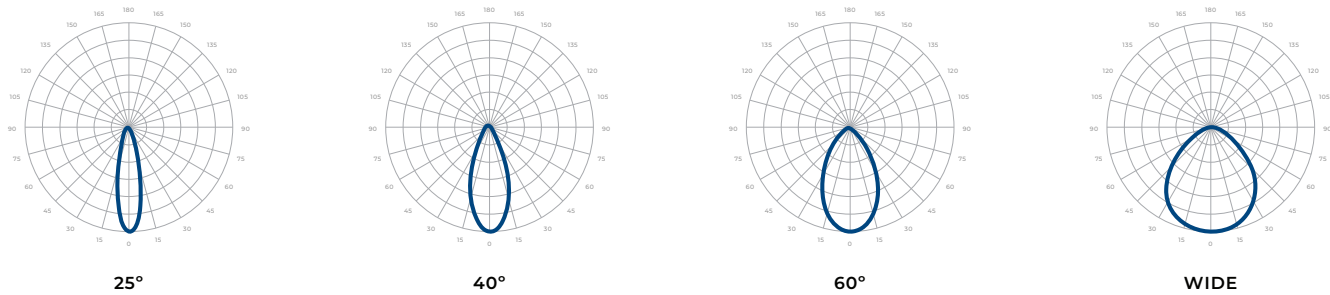
Delivered Lumens				
CCT/WATTAGE	3000K	3500K	4000K	5000K
120W	12,400lm	12,500lm	13,300lm	13,900lm
170W	17,510lm	17,700lm	18,900lm	19,600lm
240W	21,200lm	21,400lm	22,100lm	26,700lm
300W	28,500lm	28,800lm	29,700lm	35,400lm

*Beam Angle: 40° *Tolerance ±8%

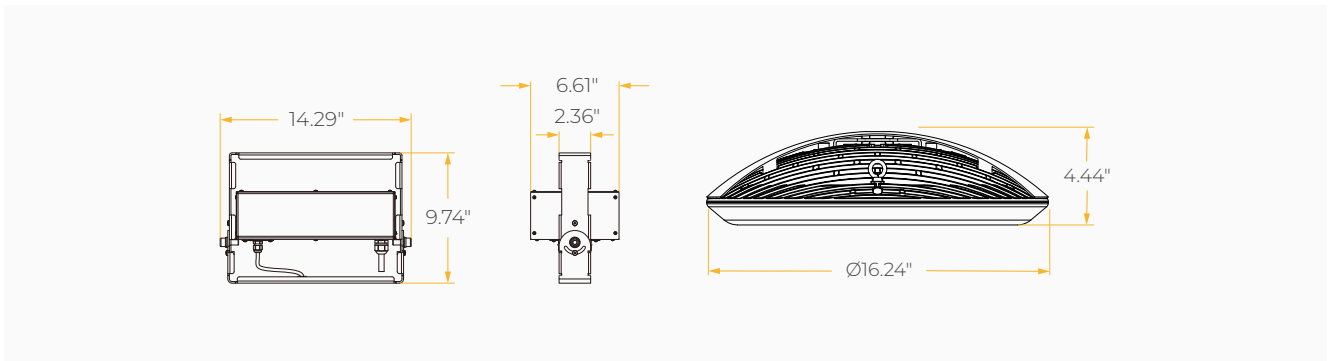
Current Consumption				
WATTAGE / VOLT	120V	277V	347V	480V
120W	1.1A	0.48A	0.38A	0.28A
170W	1.56A	0.68A	0.54A	0.39A
240W	2.02A	0.87A	0.76A	0.55A
300W	2.75A	1.19A	0.95A	0.69A

PHOTOMETRICS

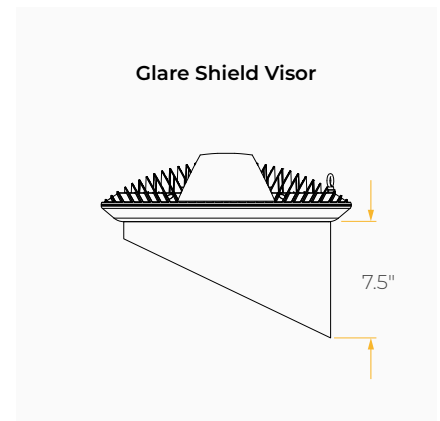
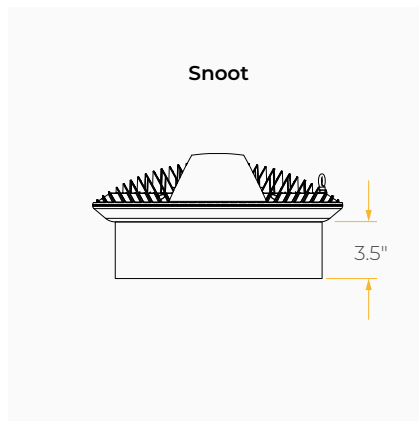
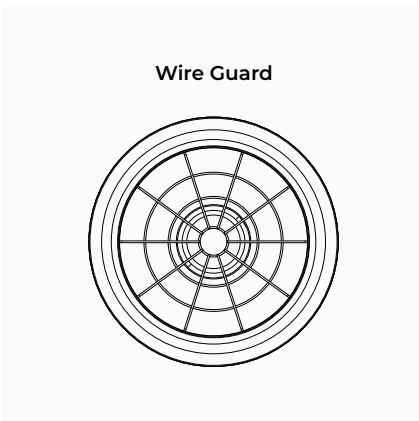
Below is a typical photometric representation of the Whiz 2.0 fixture. Please download IES files to ensure exact photometric value.



DIMENSIONS

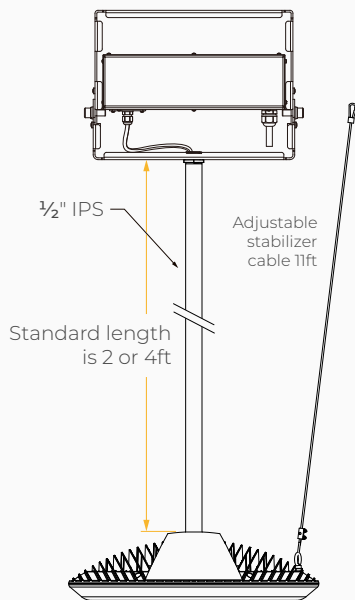


ACCESSORY

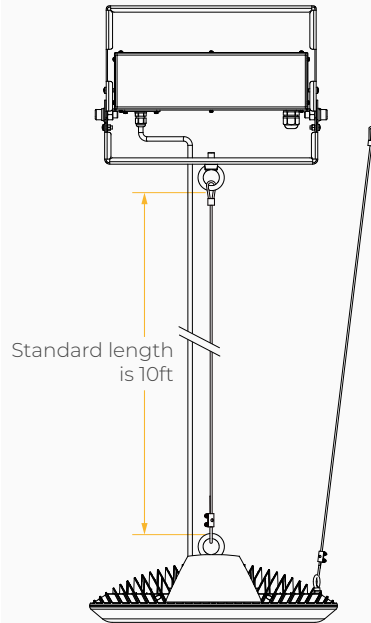


MOUNTING OPTIONS

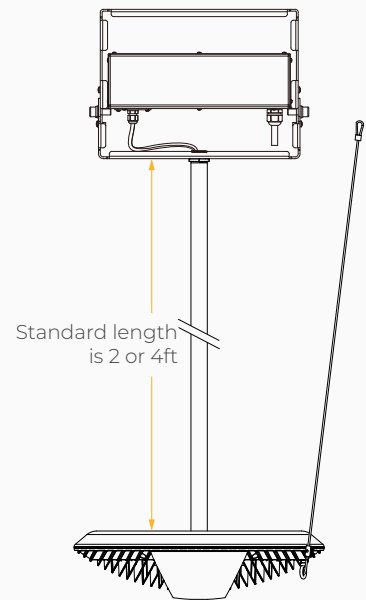
Stem Mount



Adjustable Aircraft Cable



Uplight Mount



**Adjustable Uplight
(45° Tilt on each side)**

