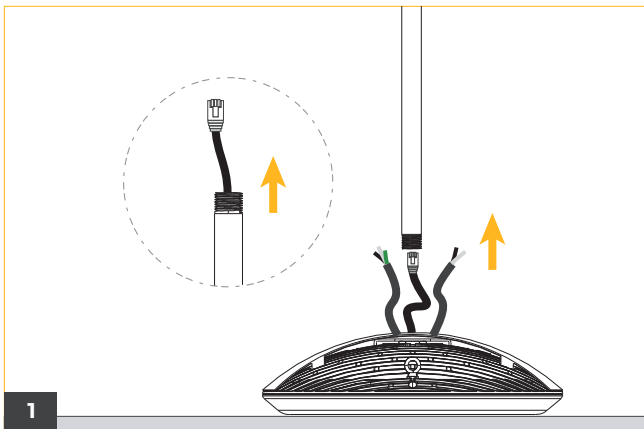
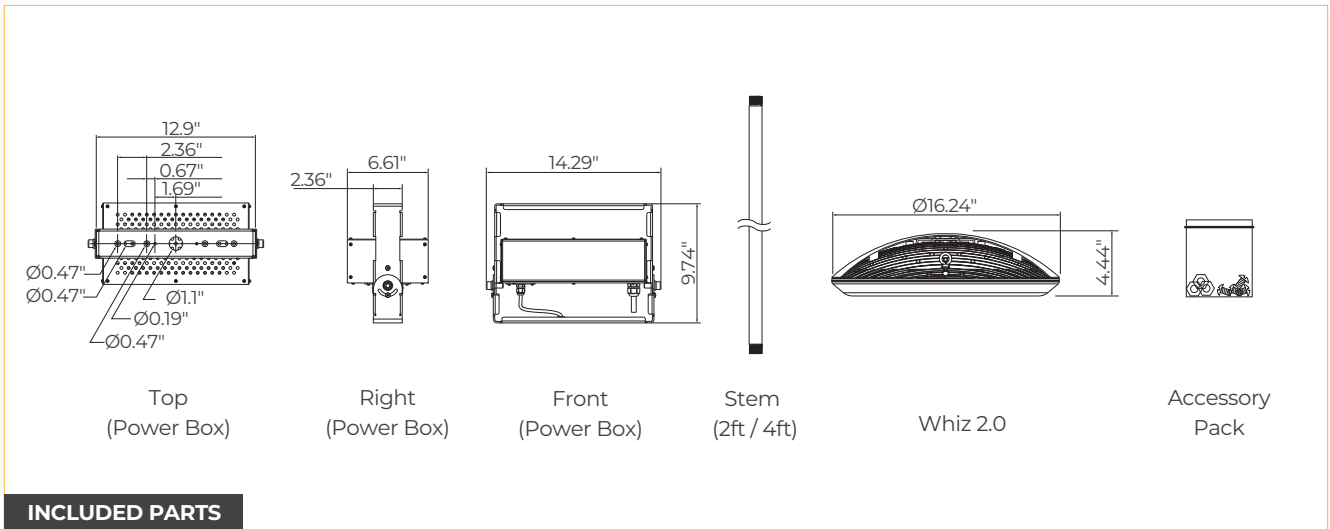


IMPORTANT SAFETY INFORMATION READ AND FOLLOW ALL SAFETY INSTRUCTIONS

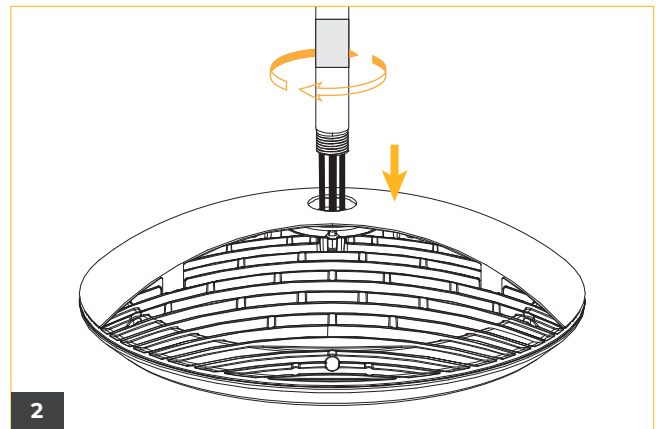
**FOR FIELD ASSISTANCE PLEASE CALL
+1-213-255-2060 #4**

- Before wiring to power supply and during servicing or relamping, turn off power at fuse or circuit breaker.
- All servicing or relamping must be performed by qualified service personnel.
- Product must be grounded to avoid potential electric shock or other potential hazard.
- Product must be installed at locations and heights, in a manner consistent with its intended use, and in compliance with electrical code and local codes.

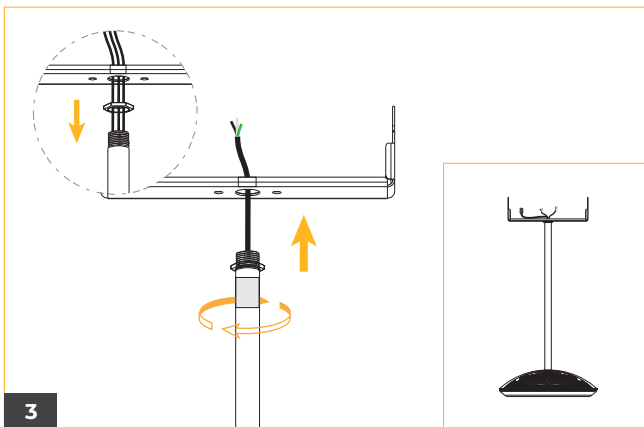
SAVE THESE INSTRUCTIONS FOR FUTURE REFERENCE



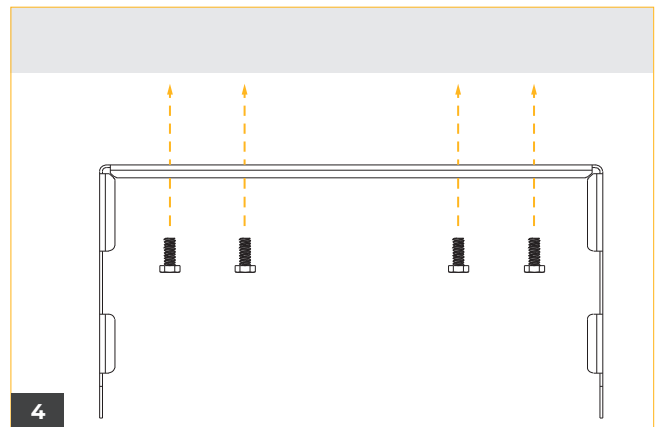
Push the Enlighted RJ45 connector and DC cables through the stem.



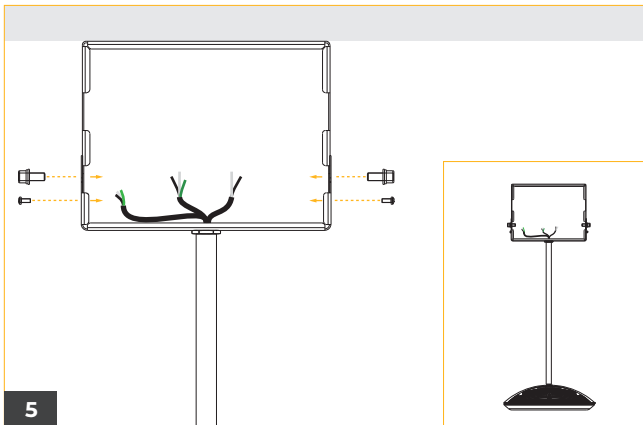
Screw stem in place.



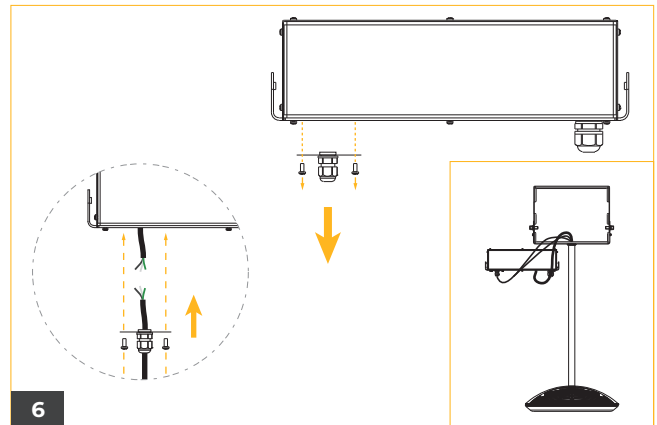
Slot through the RJ45 connector and DC cables through a Hex screw and tighten the Hex screw on the stem grooves.



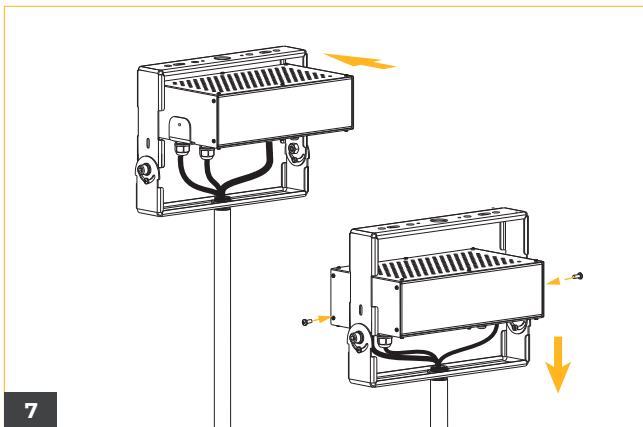
Fasten the top bracket on the desired location on the ceiling.



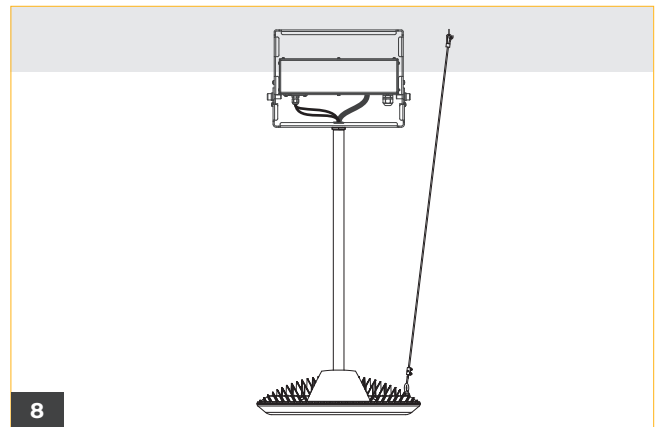
5 Align both lower and upper brackets and fasten in place.



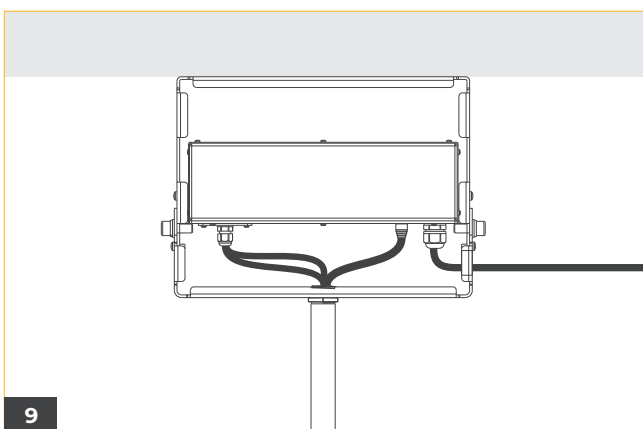
6 Unscrew the DC junction box and loosen the cable clamp. Insert the DC wire through the cable clamp and connect them to the wires in the junction box. After connection, ensure firmness by tightening cable clamp. Connect the RJ45 connector to the port on the power box. Refer to the wiring diagram for a detailed explanation.



7 Slip the power box hook fastener over the lock-in grooves allocated and fasten screws on either side to keep the power box in place.



8 Hook the safety cable.



9 Connect AC Cable to Junction Box.

WIRING DIAGRAM

STV 0-10V (120W/170W/240W)

