

WHIZ 2.0

SLEEK AND ARCHITECTURAL
HIGH CEILING SOLUTION

SPECIFICATION SHEET
BI-DIRECTIONAL
TUNABLE WHITE

Housing

Diameter : Ø18.9" | Height : 4.57" | Weight : 36 lbs

Material

Housing : High Pressure Die-Cast Aluminum
Lens : High Transmittance Clear Tempered Glass

Power Input

Downlight : 240W | 120-277V, 347-480V
Uplight : 60W | 120-277V, 347-480V

Lumen Output

Downlight : 23,630 lm (240W)
Uplight : 5,290 lm (60W)

Dimming

Superior 0-10V : dims to 1%
DMX : High resolution dims to 0.1%

Color Quality

CRI 75, CRI 85

Rated Life

> 60,000 Hours (L70)

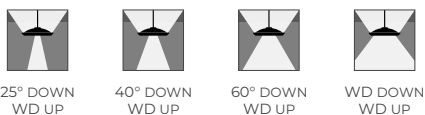
Finish



Color Temperature



Optics



Warranty

5 Year limited warranty

Listing



Redefining High Ceiling Design One More Time

A next leap from our flagship luminaire, the Whiz 2.0. Building on its architectural excellence and high-performance heritage, our latest variation adds an expressive indirect uplight, breathing new life into this award-winning series.

Configure both the uplight and downlight with dynamic color-changing options or white light combinations—all conveniently packaged into a single, integrated solution.



METEOR

meteor-lighting.com

SPECIFICATION

PROJECT NAME	DATE
<input type="text"/>	<input type="text"/>
CATALOG #	QUANTITY
<input type="text"/>	<input type="text"/>

WS2B	MODEL	WHIZ 2.0 BI-DIRECTIONAL		
300	WATTAGE	300 Downlight: 240W Uplight: 60W		
TNW	CCT / CRI	TNW 3000K-5000K		
	VOLTAGE	UNV 120-277V	HVT 347-480V	
	DIMMING	SPV Superior 0-10V dims to 1%	DMX DMX dims to 0.1% (XLR Sockets)	DMXR DMX dims to 0.1% (RJ45 Sockets)
	BEAM ANGLE	Downlight		
		25 25° WD¹ Wide (With diffuser)	40 40°	60 60°
WD		Uplight		
		WD¹ Wide (With diffuser)		
	FINISH	BLK Black	WHT White	
	MOUNTING	ST2 Stem 2ft	ST4 Stem 4ft	AD10 Adjustable Cable 10ft
	ACCESSORIES	NO No Accessories WG⁴ Wire Guard	EMP² Remote Emergency Pack	DF³ Diffuser

¹ Please factor in change in lumen output of -20% with WD.
² EMP option is not compatible with HVT voltage.
³ Please factor in change in lumen output of -12% with diffuser.
⁴ Please factor in change in lumen output of -14%.

TECHNICAL DETAILS

Electrical

- Downlight: 23,630 lm (240W)
- Uplight: 5,290 lm (60W)
- Power Input: 120-277V, 347-480V
- Operating Temperature: -40°F~112°F
- Surge Protection: Built-in is 4KV
- Emergency Pack with Mounting Plate: Philips Bodine BSL20B2UEK55C111
- Power Factor Greater than 0.9

LED Features

- ColorFlip™ Tunable White 3000K ↔ 5000K
- CRI 75, CRI 85
- Long lasting LED luminaire tested under TM21 lumen maintenance L70 @ 60,000 Hrs

Optics

- Beam Angle Down : 25°, 40°, 60°, WD (With diffuser)
- Beam Angle Up : WD (With diffuser)

Advanced Dimming

- Proprietary VX Driver™ is incorporated to all dimming options for video flicker-free lighting
- Superior 0-10V : Dims to 1%
- DMX : High resolution dims to 0.1% (Supports ANSI E1.20 RDM protocol)

Housing

- Diameter : Ø18.9"
- Height : 4.57"
- Weight : 36 lbs
- Material : High Pressure Die-Cast Aluminum, Tempered Glass

Mounting

- Stem Mount 2ft or 4ft
- Adjustable Cable 10ft

Warranty

- 5-year limited warranty

Listing

- ETL
- CE
- UKCA
- FCC

PERFORMANCE SUMMARY*

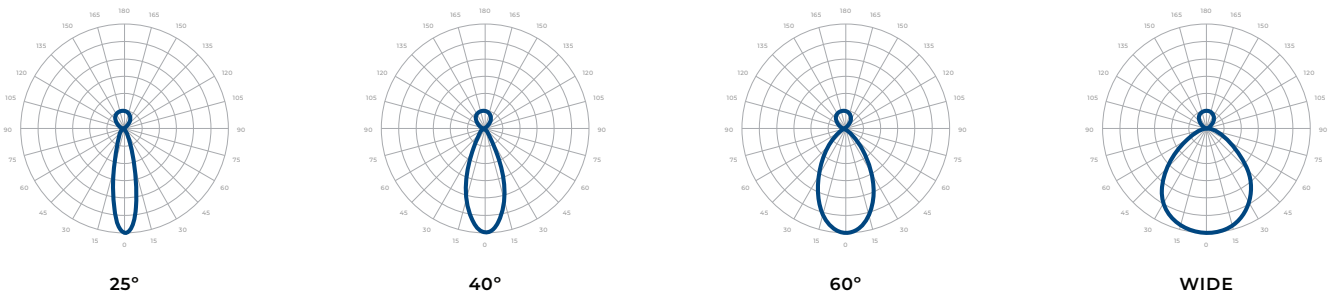
ColorFlip™	3000K	3500K	4000K	4500K	5000K
DMX CCT Signal (%)	0%	25%	45%	60%	100%
0-10V CCT Voltage	0	2.5	4.5	6	10
60W Uplight	4,335lm	4,820lm	5,320lm	5,315lm	5,290lm
240W Downlight	19,280lm	21,460lm	23,640lm	23,635lm	23,630lm
CRI	85	83	82	80	75

*Tolerance±8%

Current Consumption				
WATTAGE / VOLT	120V	277V	347V	480V
240W+60W	2.76A	1.20A	0.96A	0.69A

PHOTOMETRICS

Below is a typical photometric representation of the Whiz 2.0 Bi-Directional fixture. Please download IES files to ensure exact photometric value.



DMX REQUIREMENTS

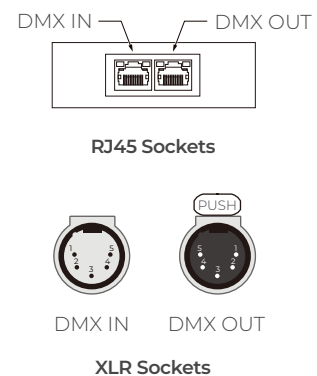
The Whiz 2.0 Bi-Directional Tunable White fixture with DMX unit has **two channels** per fixture (1 to control intensity, 1 to control color). The downlight and uplight are controlled **together**. When placing an order, please indicate DMX address. (The DMX address will be listed on the back of the fixture). Do not connect more than 32 fixtures per DMXS, DMXRS daisy chain.

Fixture	DMX Address	
	Intensity Control (ex. X)	Color Control (ex. X+1)
#1	1	2
#2	3	4
#3	5	6

DMX REQUIREMENTS

The fixture can be connected with RJ45 or XLR sockets. DMX cables **are not** included; please refer to compatible DMX cabling list for more information. The final fixture on each daisy chain should be terminated by the use of a DMX terminator purchased from a 3rd party or from Meteor.

CONNECTION	RJ45 (CAT5e)	5-PIN XLR
Common	WHITE/BROWN(PIN7) & BROWN (PIN 8)	PIN 1
Signal -	ORANGE (PIN 2)	PIN 2
Signal +	WHITE/ORANGE (PIN 1)	PIN 3
Spare	-	PIN 4
Spare	-	PIN 5

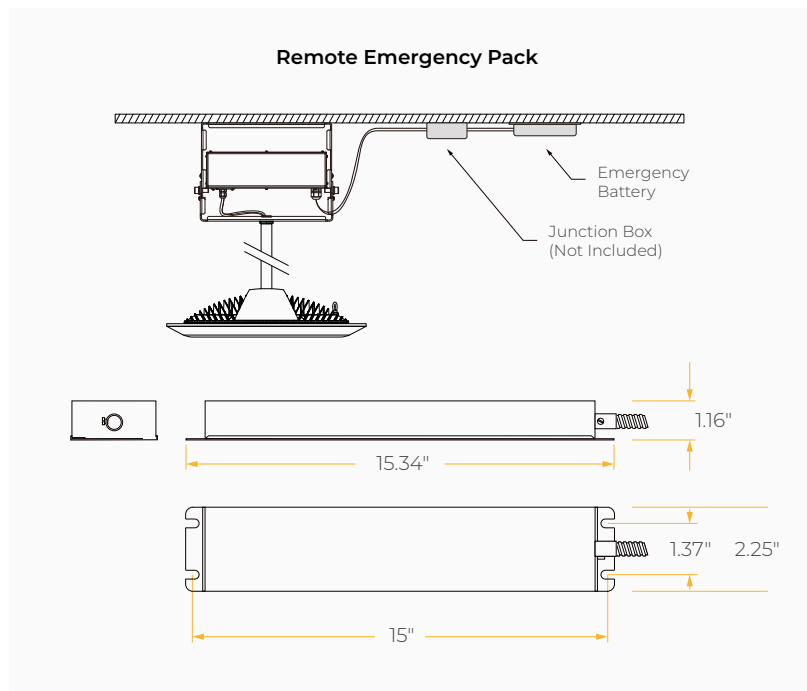
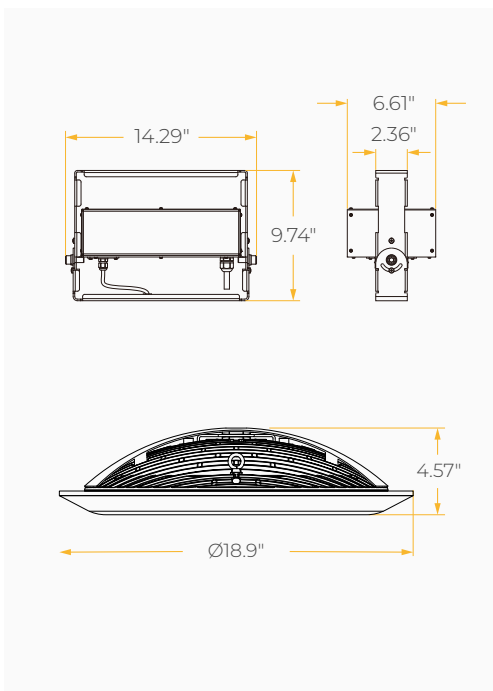


COMPATIBLE DMX CABLING LIST

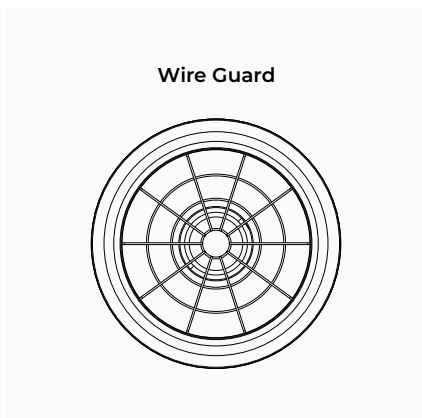
DMX uses a cable consisting of two twisted pairs plus a shield to carry data. The cable must be specifically impedance matched for the digital DMX signal, meaning that microphone cable or other non-rated cable **must not be used to carry DMX**. Network cable (Cat5, 5e or 6 cable) may be used to carry DMX in an installation; however special consideration must be given to shielding and termination. Under no circumstances should solid core cable like Cat5 be terminated into a screw down connector.

Meteor recommends the use of Belden 9729 or Belden 9841 for DMX installation. Belden 9729/9841 is a two pair cable, which allows for a spare pair for 'out and back' type terminations if needed.

DIMENSIONS

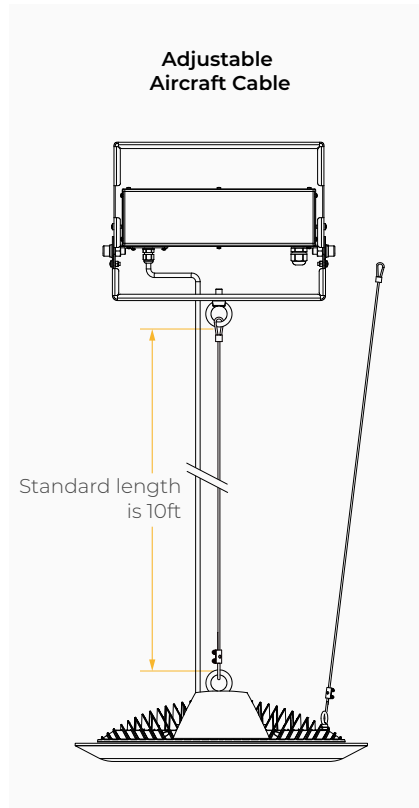
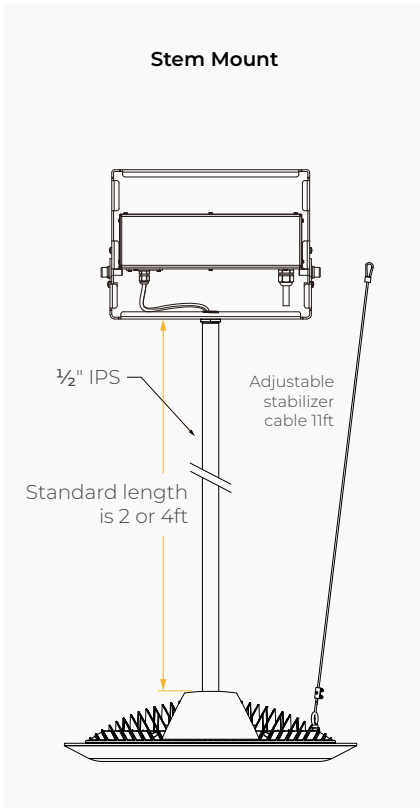


ACCESSORY



WHIZ 2.0 SLEEK AND ARCHITECTURAL
HIGH CEILING SOLUTION

MOUNTING OPTIONS



LED DISTRIBUTION

