

WHIZ 2.0

SPECIFICATION SHEET
BI-DIRECTIONAL

SLEEK AND ARCHITECTURAL
HIGH CEILING SOLUTION

Housing

Diameter : Ø18.9" | Height : 4.57" | Weight : 36 lbs

Material

Housing : High Pressure Die-Cast Aluminum
Lens : High Transmittance Clear Tempered Glass

Power Input

Downlight : 120W, 170W, 240W, 280W | 120V, 120-277V, 347-480V
Uplight : 30W, 60W | 120V, 120-277V, 347-480V

Lumen Output

Downlight : 13,900 lm (120W), 19,600 lm (170W), 26,700 lm (240W),
29,600 lm (280W)
Uplight : 3,585 lm (30W), 6,810 lm (60W)

Dimming

Standard 0-10V : Dims to 10%
Superior 0-10V : Dims to 1%
DMX : High resolution dims to 0.1%
DALI : Dims to 10%

Color Quality

CRI 75, CRI 85

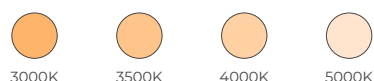
Rated Life

> 60,000 Hours (L70)

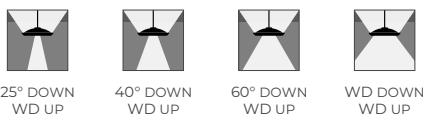
Finish



Color Temperature



Optics



Warranty

5 Year limited warranty

Listing



Redefining High Ceiling Design One More Time

A next leap from our flagship luminaire, the Whiz 2.0. Building on its architectural excellence and high-performance heritage, our latest variation adds an expressive indirect uplight, breathing new life into this award-winning series.

Configure both the uplight and downlight with dynamic color-changing options or white light combinations—all conveniently packaged into a single, integrated solution.



METEOR

meteor-lighting.com

SPECIFICATION SHEET - BI-DIRECTIONAL

WHIZ 2.0 SLEEK AND ARCHITECTURAL HIGH CEILING SOLUTION



SPECIFICATION

PROJECT NAME	<input type="text"/>	DATE	<input type="text"/>
CATALOG #	<input type="text"/>	QUANTITY	<input type="text"/>

<input type="text"/>	MODEL	WHIZ 2.0 BI-DIRECTIONAL		
<input type="text"/>	WATTAGE	150 Downlight: 120W Uplight: 30W 310 Downlight: 280W Uplight: 30W	200 Downlight: 170W Uplight: 30W	270 Downlight: 240W Uplight: 30W
<input type="text"/>	CCT / CRI	308 3000K / CRI 85 507 5000K / CRI 75	358 3500K / CRI 85	408 4000K / CRI 85
<input type="text"/>	VOLTAGE	120 120V	UNV 120-277V	HVT 347-480V
<input type="text"/>	DIMMING	NOD Non-Dimming SPVD Superior 0-10V dims to 1% Dual (Up/Down Separately) DMXRS² DMX dims to 0.1% Single (Up/Down Together)	STV Standard 0-10V dims to 10% DMXS¹ DMX dims to 0.1% Single (Up/Down Together) DMXRD² DMX dims to 0.1% Dual (Up/Down Separately)	SPVS Superior 0-10V dims to 1% Single (Up/Down Together) DMXD¹ DMX dims to 0.1% Dual (Up/Down Separately) DALI³ DALI dims to 10%
<input type="text"/>	BEAM ANGLE	Downlight 25 25° WD⁴ Wide (With diffuser)	40 40°	60 60°
<input type="text"/>	FINISH	BLK Black	WHT White	
<input type="text"/>	MOUNTING	ST2 Stem 2ft	ST4 Stem 4ft	AD10 Adjustable Cable 10ft
<input type="text"/>	ACCESSORIES	NO No Accessories WG⁷ Wire Guard	EMP⁵ Remote Emergency Pack	DF⁶ Diffuser

¹ Option only applies to XLR Sockets
² Option only applies to RJ45 Sockets
³ Option is not compatible with HVT
⁴ Please factor in change in lumen output of -20% with WD.
⁵ EMP option is not compatible with HVT voltage.
⁶ Please factor in change in lumen output of -12% with diffuser.
⁷ Please factor in change in lumen output of -14%.

TECHNICAL DETAILS

Electrical

- Downlight: 13,900 lm (120W), 19,600 lm (170W), 26,700 lm (240W) 29,600lm (280W)
- Uplight: 3,585 lm (30W), 6,810 lm (60W)
- Power Input: 120V, 120-277V, 347-480V
- Operating Temperature: -40°F~112°F
- Surge Protection: Built-in is 4KV
- Emergency Pack with Mounting Plate: Philips Bodine BSL20B2UEK55C11
- Power Factor Greater than 0.9

LED Features

- Color Temperature : 3000K, 3500K, 4000K, 5000K
- CRI 75, CRI 85
- Long lasting LED luminaire tested under TM21 lumen maintenance L70 @ 60,000 Hrs

Optics

- Beam Angle Down : 25°, 40°, 60°, WD (With diffuser)
Beam Angle Up : WD (With diffuser)

Advanced Dimming

- Proprietary VX Driver™ is incorporated to all dimming options for video flicker-free lighting
- Standard 0-10V: Dims to 10%
- Superior 0-10V : Dims to 1%
- DMX : High resolution dims to 0.1% (Supports ANSI E1.20 RDM protocol)
- DALI : dims to 10%

Housing

- Diameter : Ø18.9"
- Height : 4.57"
- Weight : 36 lbs
- Material : High Pressure Die-Cast Aluminum, Tempered Glass

Mounting

- Stem Mount 2ft or 4ft
- Adjustable Cable 10ft

Warranty

- 5-year limited warranty

Listing

- ETL Damp Location Listed
- CE
- UKCA
- FCC

PERFORMANCE SUMMARY*

	Delivered Lumens			
CCT/WATTAGE	3000K	3500K	4000K	5000K
120W DOWN	12,400lm	12,500lm	13,300lm	13,900lm
170W DOWN	17,510lm	17,700lm	18,900lm	19,600lm
240W DOWN	21,200lm	21,400lm	22,100lm	26,700lm
280W DOWN	2,3500lm	23,710lm	24,500lm	29,600lm
30W UP	2,850lm	2,875lm	2,970lm	3,585lm
60W UP	5,420lm	5,465m	5,640lm	6,810lm

*Beam Angle: 40° * Tolerance ±8%

PERFORMANCE SUMMARY

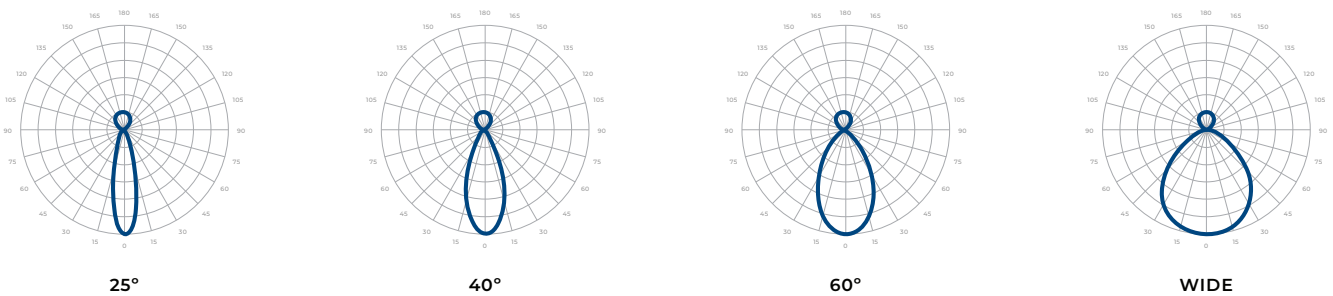
Current Consumption				
WATTAGE / VOLT	120V	277V	347V	480V
120W + 30W DOWN UP	1.47A	0.64A	0.51A	0.38A
170W + 30W DOWN UP	1.95A	0.84A	0.67A	0.48A
240W + 30W DOWN UP	2.57A	1.12A	0.89A	0.65A
280W + 30W DOWN UP	2.93A	1.27A	1.02A	0.74A

Current Consumption				
WATTAGE / VOLT	120V	277V	347V	480V
120W + 60W DOWN UP	1.66A	0.72A	0.58A	0.43A
170W + 60W DOWN UP	2.12A	0.92A	0.74A	0.53A
240W + 60W DOWN UP	2.76A	1.20A	0.98A	0.70A
280W + 60W DOWN UP	3.12A	1.35A	1.09A	0.79A

Emergency Pack Lumen Output Table				
CCT	3000K	3500K	4000K	5000K
LUMEN	1,900lm	1,920lm	1,980lm	2,360lm

PHOTOMETRICS

Below is a typical photometric representation of the Whiz 2.0 Bi-Directional fixture. Please download IES files to ensure exact photometric value.



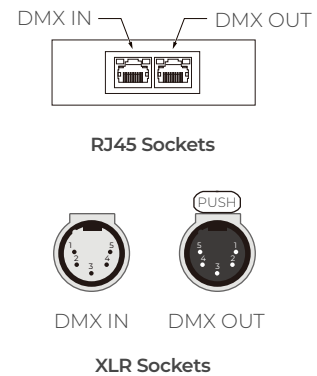
DMX REQUIREMENTS

The Whiz 2.0 Bi-Directional fixture with DMX is a **single channel dmx** unit. The downlight and uplight are controlled **separately**. When placing an order, please indicate DMX address. (The DMX address will be listed on the back of the fixture). Do not connect more than 32 fixtures per DMX daisy chain.

Fixture	DMX Address	
	Downlight	Uplight
#1	1	2
#2	3	4
#3	5	6

The fixture can be connected with RJ45 or XLR sockets. DMX cables **are not** included; please refer to compatible DMX cabling list for more information. The final fixture on each daisy chain should be terminated by the use of a DMX terminator purchased from a 3rd party or from Meteor.

CONNECTION	RJ45 (CAT5e)	5-PIN XLR
Common	WHITE/BROWN(PIN7) & BROWN (PIN 8)	PIN 1
Signal -	ORANGE (PIN 2)	PIN 2
Signal +	WHITE/ORANGE (PIN 1)	PIN 3
Spare	-	PIN 4
Spare	-	PIN 5

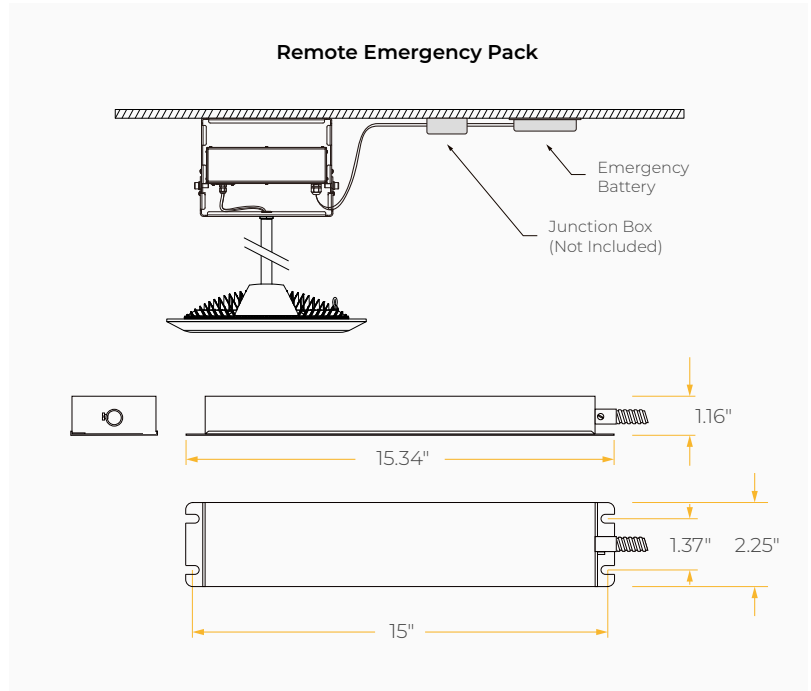
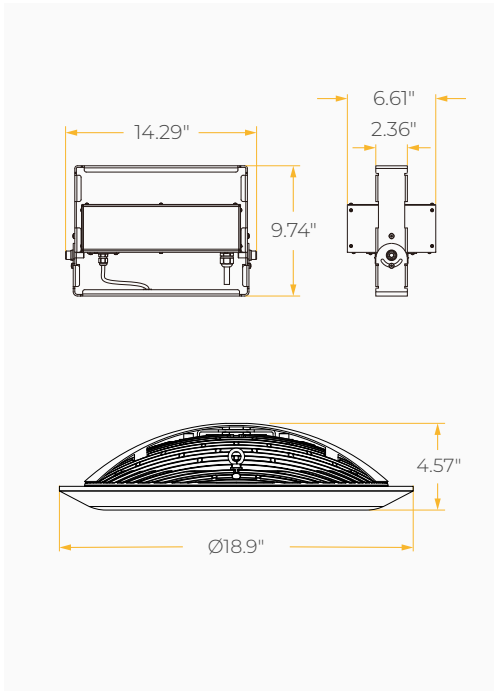


COMPATIBLE DMX CABLING LIST

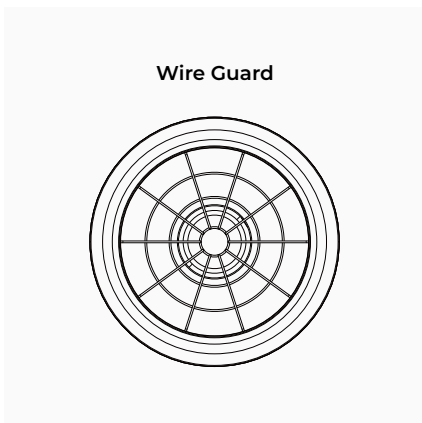
DMX uses a cable consisting of two twisted pairs plus a shield to carry data. The cable must be specifically impedance matched for the digital DMX signal, meaning that microphone cable or other non-rated cable **must not be used to carry DMX**. Network cable (Cat5, 5e or 6 cable) may be used to carry DMX in an installation; however special consideration must be given to shielding and termination. Under no circumstances should solid core cable like Cat5 be terminated into a screw down connector.

Meteor recommends the use of Belden 9729 or Belden 9841 for DMX installation. Belden 9729/9841 is a two pair cable, which allows for a spare pair for 'out and back' type terminations if needed.

DIMENSIONS



ACCESSORY



MOUNTING OPTIONS

