

WHIZ 2.0

SLEEK AND ARCHITECTURAL
HIGH CEILING SOLUTION

Housing

Diameter : Ø18.9" | Height : 4.57" | Weight : 36 lbs

Material

Housing : High Pressure Die-Cast Aluminum
Lens : High Transmittance Clear Tempered Glass

Power Input

Downlight : 120W, 170W, 240W | 120-277V
Uplight : 45W | 120-277V

Lumen Output

Downlight : 13,900 lm (120W), 19,600 lm (170W), 26,700 lm (240W),
Uplight : 1,865 lm (45W)

Dimming

DMX : High resolution dims to 0.1%

Color Quality

CRI 75, CRI 85

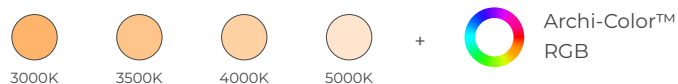
Rated Life

> 60,000 Hours (L70)

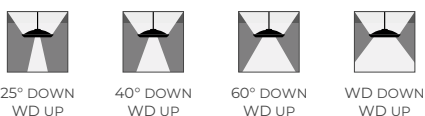
Finish



Color Temperature



Optics



Warranty

5 Year limited warranty

Listing



SPECIFICATION SHEET
BI-DIRECTIONAL
RGB UPLIGHT & WHITE DOWNLIGHT

Redefining High Ceiling Design One More Time

A next leap from our flagship luminaire, the Whiz 2.0. Building on its architectural excellence and high-performance heritage, our latest variation adds an expressive indirect uplight, breathing new life into this award-winning series.

Configure both the uplight and downlight with dynamic color-changing options or white light combinations—all conveniently packaged into a single, integrated solution.



METEOR

meteor-lighting.com

SPECIFICATION SHEET - RGB UPLIGHT & WHITE DOWNLIGHT

WHIZ 2.0 SLEEK AND ARCHITECTURAL HIGH CEILING SOLUTION



SPECIFICATION

PROJECT NAME	DATE
<input type="text"/>	<input type="text"/>
CATALOG #	QUANTITY
<input type="text"/>	<input type="text"/>

WS2B	MODEL	WHIZ 2.0 BI-DIRECTIONAL		
<input type="text"/>	WATTAGE	165 Downlight: 120W Uplight: 45W	215 Downlight: 170W Uplight: 45W	285 Downlight: 240W Uplight: 45W
<input type="text"/>	CCT / CRI	Downlight 308 3000K / CRI 85 507 5000K / CRI 75	358 3500K / CRI 85	408 4000K / CRI 85
RGB		Uplight RGB RGB		
UNV	VOLTAGE	UNV 120-277V		
<input type="text"/>	DIMMING	DMX DMX dims to 0.1% (XLR Sockets)	DMXR DMX dims to 0.1% (RJ45 Sockets)	
<input type="text"/>	BEAM ANGLE	Downlight 25 25° WD¹ Wide (With diffuser)	40 40°	60 60°
WD		Uplight WD¹ Wide (With diffuser)		
<input type="text"/>	FINISH	BLK Black	WHT White	
<input type="text"/>	MOUNTING	ST2 Stem 2ft	ST4 Stem 4ft	AD10 Adjustable Cable 10ft
<input type="text"/>	ACCESSORIES	NO No Accessories WG³ Wire Guard	EMP Remote Emergency Pack	DF² Diffuser

¹ Please factor in change in lumen output of -20% with WD.
² Please factor in change in lumen output of -12% with diffuser.
³ Please factor in change in lumen output of -14%.

TECHNICAL DETAILS

Electrical

- Downlight: 13,900 lm (120W), 19,600 lm (170W), 26,700 lm (240W)
- Uplight: 1,865 lm (45W)
- Power Input: 120-277V, 347-480V
- Operating Temperature: -40°F~112°F
- Surge Protection: Built-in is 4KV
- Emergency Pack with Mounting Plate: Philips Bodine BSL20B2UEK55C1II
- Power Factor Greater than 0.9

LED Features

- Color Temperature : 3000K, 3500K, 4000K, 5000K and RGB
- CRI 75, CRI 85
- Long lasting LED luminaire tested under TM21 lumen maintenance L70 @ 60,000 Hrs

Optics

- Beam Angle Down : 25°, 40°, 60°, WD (With diffuser)
- Beam Angle Up : WD (With diffuser)

Advanced Dimming

- Proprietary VX Driver™ is incorporated to all dimming options for video flicker-free lighting
- DMX : High resolution dims to 0.1% (Supports ANSI E1.20 RDM protocol)

Housing

- Diameter : Ø18.9"
- Height : 4.57"
- Weight : 36 lbs
- Material : High Pressure Die-Cast Aluminum, Tempered Glass

Mounting

- Stem Mount 2ft or 4ft
- Adjustable Cable 10ft

Warranty

- 5-year limited warranty

Listing

- ETL Damp Location Listed
- CE
- UKCA
- FCC

PERFORMANCE SUMMARY*

Downlight Delivered Lumens				
CCT/WATTAGE	3000K	3500K	4000K	5000K
120W	12,400lm	12,500lm	13,300lm	13,900lm
170W	17,510lm	17,700lm	18,900lm	19,600lm
240W	21,200lm	21,400lm	22,100lm	26,700lm

*Beam Angle: 40° *Tolerance ±8%

Uplight Delivered Lumens			
CCT/WATTAGE	R	G	B
45W	15W	15W	15W
	185lm	1,500lm	180lm

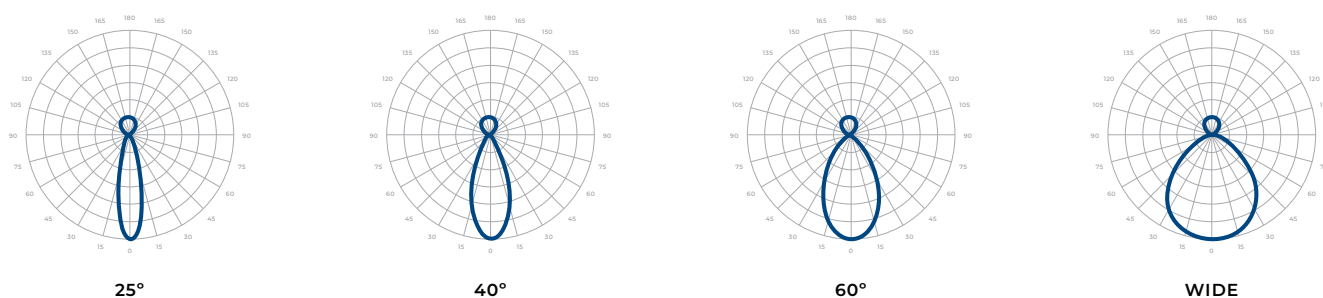
PERFORMANCE SUMMARY*

Current Consumption				
WATTAGE/VOLT	120V	277V	347V	480V
120W + 60W DOWN UP	1.66A	0.72A	0.58A	0.43A
170W + 60W DOWN UP	2.12A	0.92A	0.74A	0.53A
240W + 60W DOWN UP	2.76A	1.20A	0.98A	0.70A

Emergency Pack Lumen Output Table				
CCT	3000K	3500K	4000K	5000K
LUMEN	1,900lm	1,920lm	1,980lm	2,360lm

PHOTOMETRICS

Below is a typical photometric representation of the Whiz 2.0 Bi-Directional fixture. Please download IES files to ensure exact photometric value.



DMX REQUIREMENTS

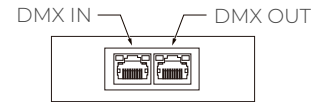
The Whiz 2.0 Bi-Directional RGB Uplight & White Downlight fixture with DMX is a **four channel dmx** unit. The downlight and uplight are controlled **separately**. When placing an order, please indicate DMX address. (The DMX address will be listed on the back of the fixture). Do not connect more than 32 fixtures per DMX daisy chain.

Fixture	DMX Address			
	Red Control (ex. X) Uplight	Green Control (ex. X+1) Uplight	Blue Control (ex. X+2) Uplight	White Control (ex. X+3) Downlight
#1	1	2	3	4
#2	5	6	7	8
#3	9	10	11	12

DMX REQUIREMENTS

The fixture can be connected with RJ45 or XLR sockets. DMX cables **are not** included; please refer to compatible DMX cabling list for more information. The final fixture on each daisy chain should be terminated by the use of a DMX terminator purchased from a 3rd party or from Meteor.

CONNECTION	RJ45 (CAT5e)	5-PIN XLR
Common	WHITE/BROWN(PIN7) & BROWN (PIN 8)	PIN 1
Signal -	ORANGE (PIN 2)	PIN 2
Signal +	WHITE/ORANGE (PIN 1)	PIN 3
Spare	-	PIN 4
Spare	-	PIN 5



RJ45 Sockets



DMX IN DMX OUT

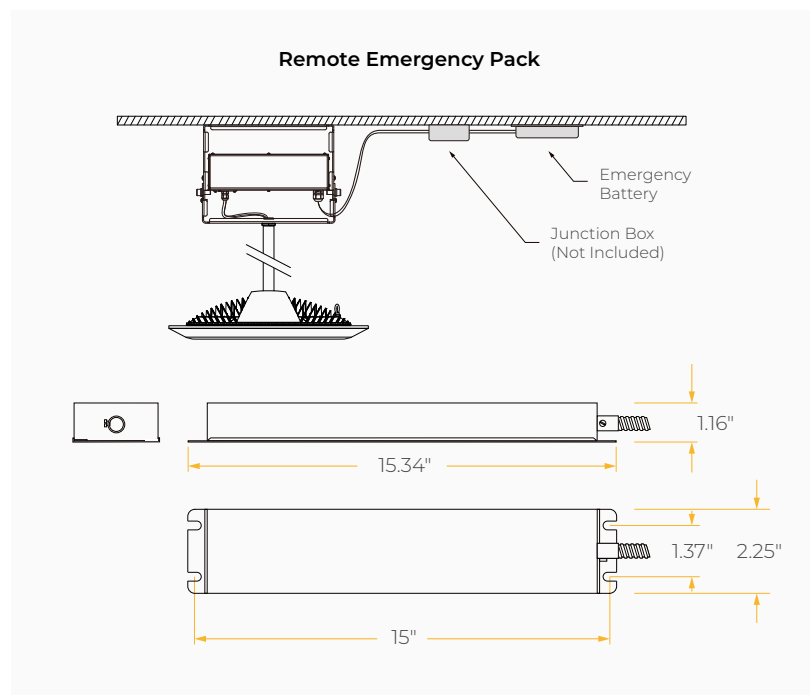
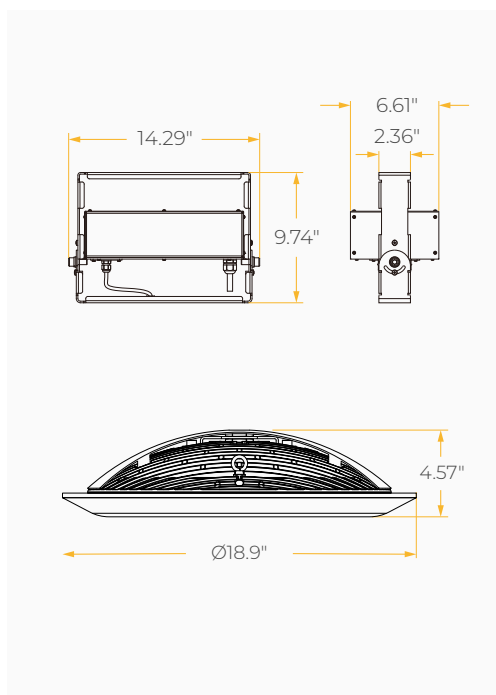
XLR Sockets

COMPATIBLE DMX CABLING LIST

DMX uses a cable consisting of two twisted pairs plus a shield to carry data. The cable must be specifically impedance matched for the digital DMX signal, meaning that microphone cable or other non-rated cable **must not be used to carry DMX**. Network cable (Cat5, 5e or 6 cable) may be used to carry DMX in an installation; however special consideration must be given to shielding and termination. Under no circumstances should solid core cable like Cat5 be terminated into a screw down connector.

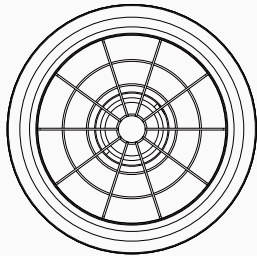
Meteor recommends the use of Belden 9729 or Belden 9841 for DMX installation. Belden 9729/9841 is a two pair cable, which allows for a spare pair for 'out and back' type terminations if needed.

DIMENSIONS



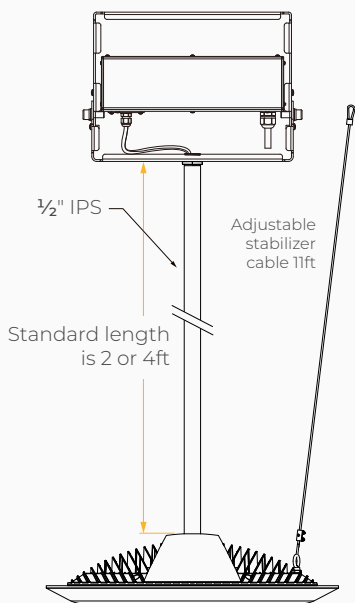
ACCESSORY

Wire Guard



MOUNTING OPTIONS

Stem Mount



Adjustable Aircraft Cable

