

ADVANCED HIGH CEILING

Whiz 2.0 - Tunable White Version (ColorFlip™)



High lumen compact luminaire with lumen output 17165 – 29555lm.

Quantity		Type	
Project		Note	

Delivered Lumens*

ColorFlip™	3000K	3500K	4000K	4500K	5000K
DMX CCT Signal (%)	0%	25%	45%	60%	100%
0-10V CCT Voltage	0	2.5	4.5	6	10
150W	17165 lm	19070 lm	20980 lm	20805 lm	20630 lm
300W	24100 lm	26830 lm	29555 lm	29545 lm	29540 lm
CRI	85	83	82	80	75

Electrical System

- 150W
- 300W
- Power Input: Universal (120-277V); 347-480V
- Operating Temperature: -40°F~112°F
- Surge Protection: 4KV
- Power Factor Greater than 0.9
- Remote Emergency Pack: Bodine BSL20B2UEK55C1I1

LED Technology

- ColorFlip™(Tuning White: 3000K ↔ 5000K)
- 3000K / 85 CRI, 5000K / 75 CRI
- Beam Angle: 25°, 40°, 60°, 100° (with diffuser)
- Rated Life > 100,000 hours (L70)
- Lumen Maintenance > 0.90 at 60,000 hours

Advanced Dimming

(Proprietary VX Driver is incorporated to all dimming options for video flicker-free lighting)

- Superior 0-10V: dims to 1%
- DMX: high resolution dims to 0.1% (Supports ANSI E1.20 RDM protocol)

Housing

- Diameter: 16.24" (420mm)
- Material: Die-Cast Aluminum, Tempered Glass
- Weight: 33lbs

Mounting

- Stem 2ft, 4ft
- Adjustable Aircraft Cable 10ft
- Uplight 2ft, 4ft
- Adjustable Uplight 2ft, 4ft

Warranty

- 5 years limited warranty.

Listing

- ETL Damp Location Listed



Whiz 2.0 - Tunable White Version (ColorFlip™)**How To Specify:****Ordering Example: WS2-300-TNW-UNV-DMX-60-BLK-ST2-EMP**

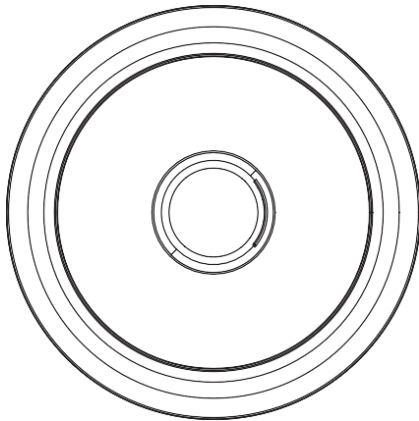
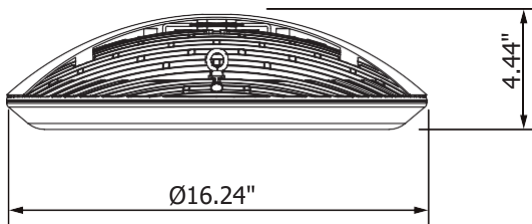
Model	Wattage	CCT / CRI	Voltage	Dimming
WS2			UNV	
WS2	150 150W	TNW 3000K-5000K	UNV 120-277V	SPV Superior 0-10V dims to 1%
Whiz 2.0 Series	300 300W		HVT 347-480V	DMX DMX dims to 0.1% (XLR Sockets)
				DMX(RJ45) DMX dims to 0.1% (RJ45 Sockets)

Beam Angle	Finish	Mounting	Accessories
25 25°	BLK Black	ST2 Stem 2ft	EMP ¹ Remote Emergency Pack
40 40°	WHT White	ST4 Stem 4ft	DF ² Diffuser
60 60°		AD10 Adjustable Cable 10ft	WG ³ Wire Guard
WD* 100° (with diffuser)		UP2 Uplight Stem 2ft	SNT ⁴ Snoot
		UP4 Uplight Stem 4ft	GSV ⁵ Glare Shield Visor
		AUP2 Adjustable Uplight 2ft	
		AUP4 Adjustable Uplight 4ft	
*Please factor in change in lumen output with diffuser (-20% with WD; -12% with other degrees).			¹ EMP option is not compatible with 300W version or HVT voltage.
			² Please factor in change in lumen output with diffuser (-20% with WD; -12% with other degrees).
			³ Please factor in change in lumen output of -14%.
			⁴ Please factor in change in lumen output of -30%.
			⁵ Please factor in change in lumen output of -25%.

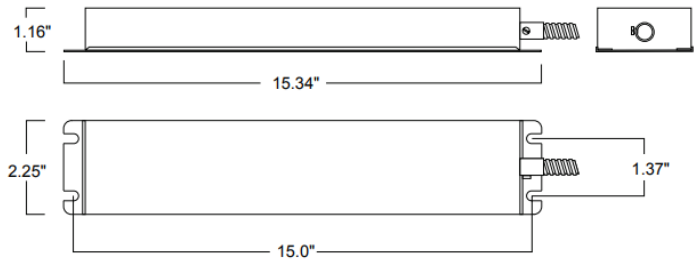
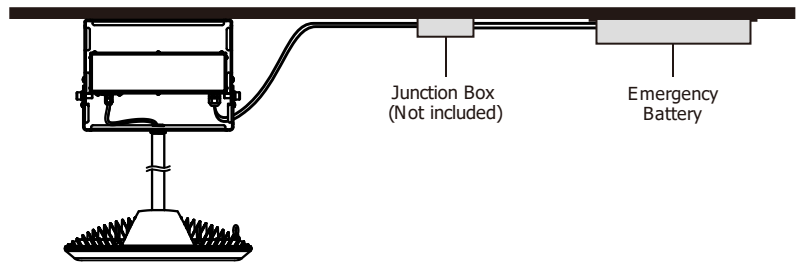
Current Consumption

Wattage \ Volt	120V	277V
150W	1.25A	0.54A
300W	2.50A	1.08A

Dimensions



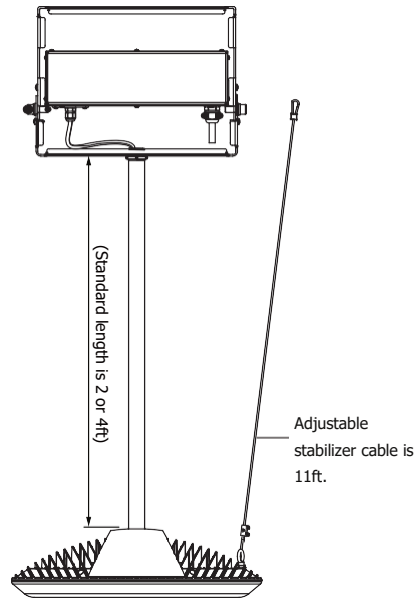
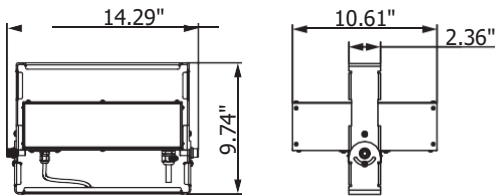
Remote Emergency Pack



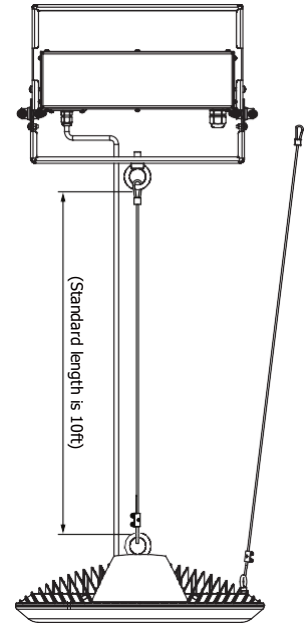
Emergency Pack Lumen Output Table

CCT	4000K
Lumen	1980 lm

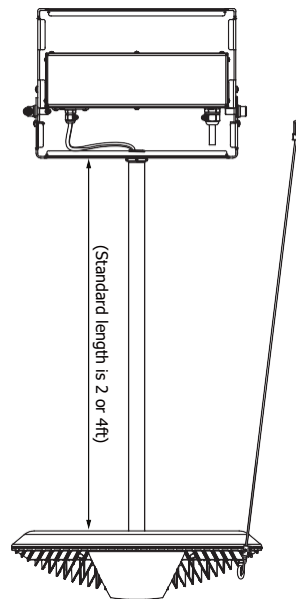
Mounting Options



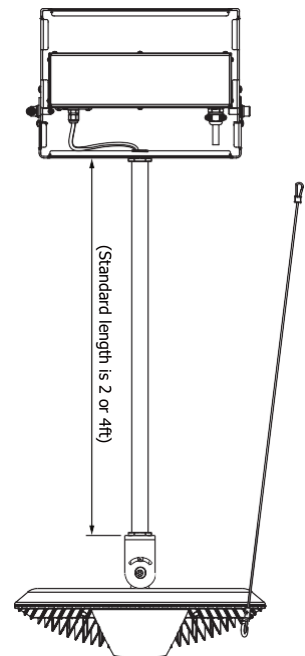
Stem



Adjustable Aircraft Cable



Uplight



Adjustable Uplight

DMX Requirements*

Each Whiz 2.0 DMX unit has TWO CHANNELS per fixture (1 to control intensity, 1 to control color).

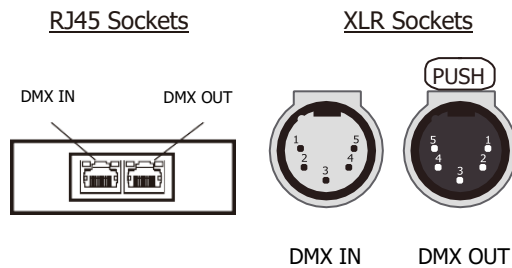
Fixture will be controlled by DMX number controlling intensity.

We do not recommend more than 32 fixtures per DMX daisy chain.

When placing order, please indicate DMX address (refer to DMX Address example below). DMX address will be listed on the back of each fixture.

Fixture	DMX Address	
	Intensity Control (ex. X)	Color Control (ex. X+1)
#1	1	2
#2	3	4
#3	5	6

The LED fixture provide RJ45 Socket or XLR socket to connect. (DMX cable NOT included.)



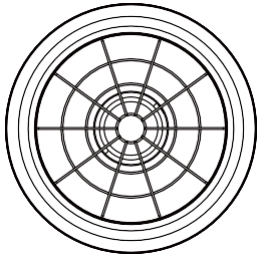
CONNECTION	RJ45 (CAT5e)	5-PIN XLR
Common	WHITE/BROWN(PIN7) & BROWN (PIN 8)	PIN 1
Signal -	ORANGE (PIN 2)	PIN 2
Signal+	WHITE/ORANGE (PIN 1)	PIN 3
Spare	-	PIN 4
Spare	-	PIN 5

Compatible DMX Cabling List

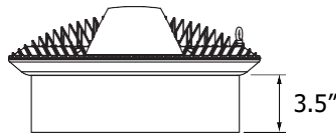
DMX uses a cable consisting of two twisted pairs plus a shield to carry data. The cable must be specifically impedance matched for the digital DMX signal, meaning that microphone cable or other non-rated cable **must not be used to carry DMX**. Network cable (Cat5, 5e or 6 cable) may be used to carry DMX in an installation; however special consideration must be given to shielding and termination. Under no circumstances should solid core cable like Cat5 be terminated into a screw down connector.

Meteor recommends the use of Belden 9729 for DMX installation. Belden 9729 is a two pair cable, which allows for a spare pair for 'out and back' type terminations if needed. Below is a list of other compatible Belden cables.

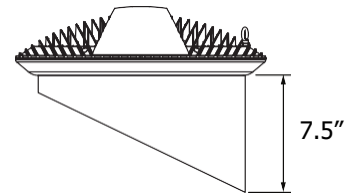
Accessory



Wire Guard



Snoot



Glare Shield Visor

150W (75W: 3000K; 75W: 5000K)
300W (150W: 3000K; 150W: 5000K)

