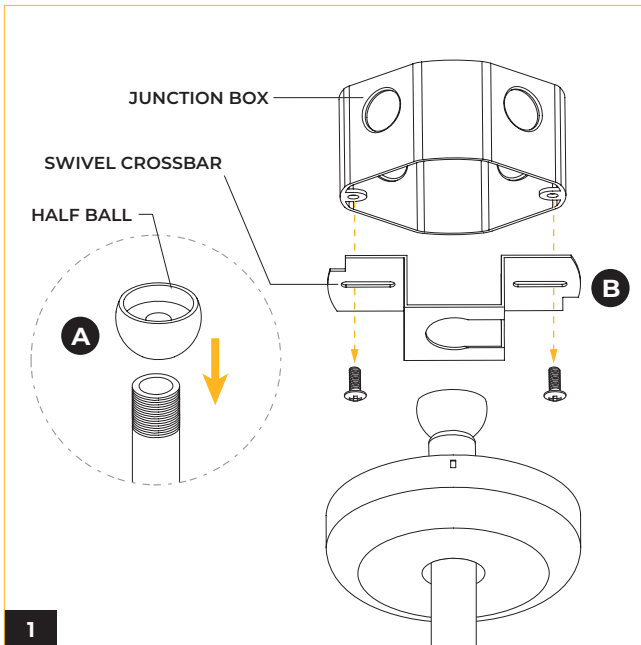


IMPORTANT SAFETY INFORMATION READ AND FOLLOW ALL SAFETY INSTRUCTIONS

**FOR FIELD ASSISTANCE PLEASE CALL
+1-213-255-2060 #4**

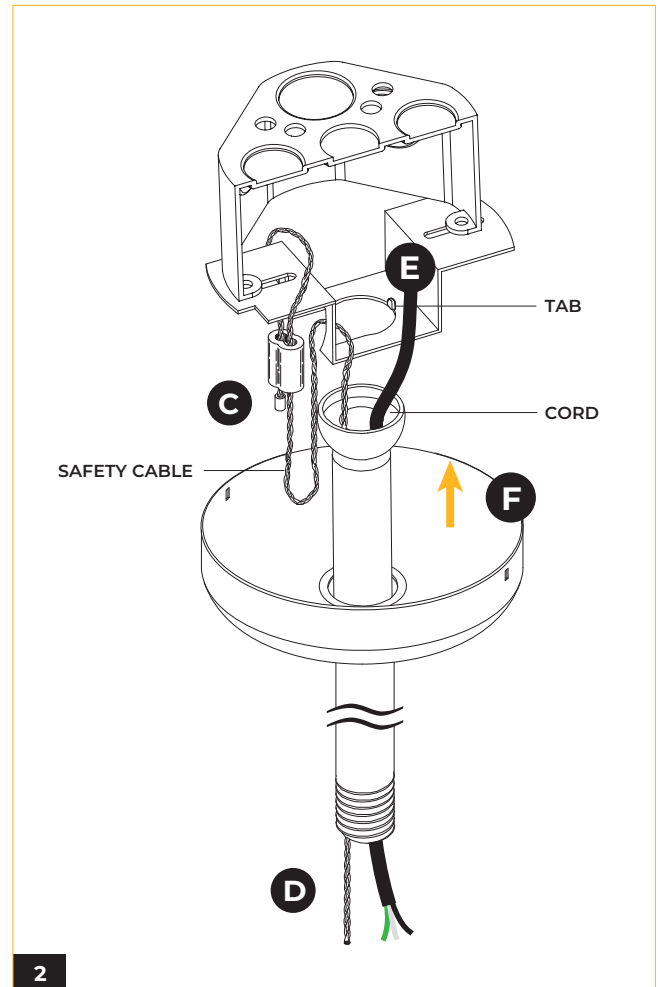
- Before wiring to power supply and during servicing or relamping, turn off power at fuse or circuit breaker.
- All servicing or relamping must be performed by qualified service personnel.
- Product must be grounded to avoid potential electric shock or other potential hazard.
- Product must be installed at locations and heights, in a manner consistent with its intended use, and in compliance with electrical code and local codes.

SAVE THESE INSTRUCTIONS FOR FUTURE REFERENCE



(A) Secure half ball with stem.

(B) Attach swivel crossbar to junction box (Not provided).

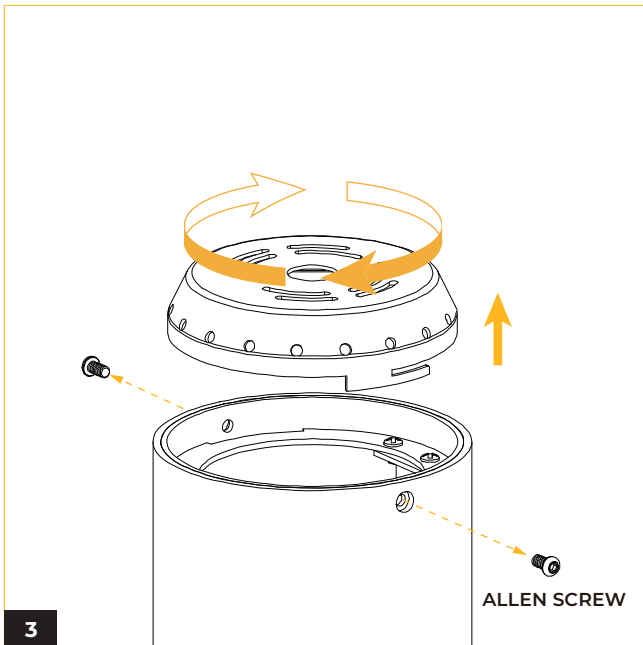


(C) Loop the safety cable around swivel crossbar.

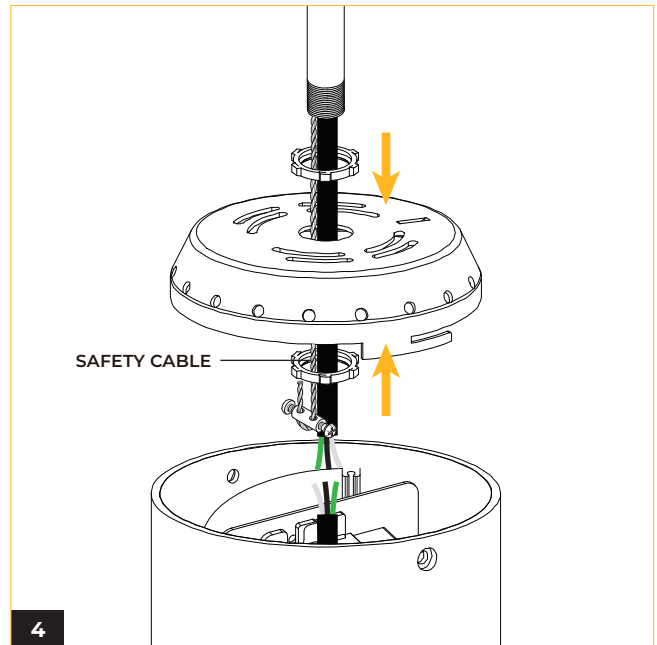
(D) Feed the safety cable and power cord through the stem and insert half ball joint into slot on swivel crossbar. Align the slot on ball joint with the tab on the swivel crossbar.

(E) Make electrical connections in junction box.

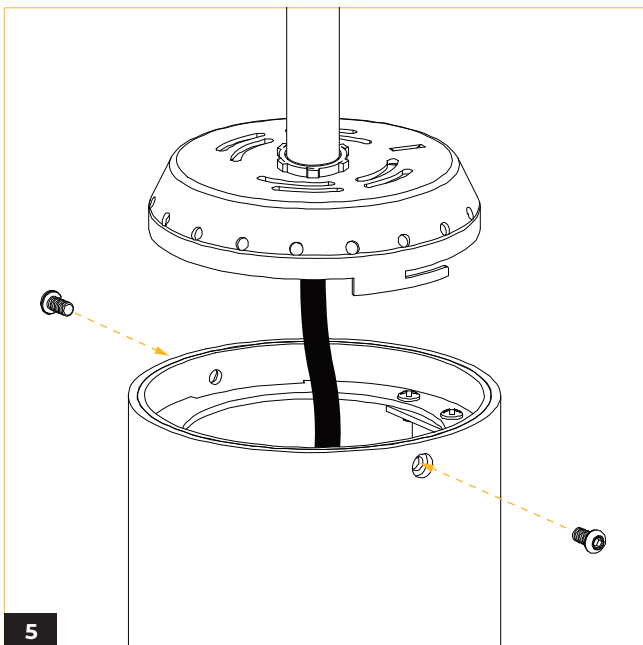
(F) Install canopy cover by aligning the tabs on crossbar with slots in the cover.



Loosen two allen screws. Twist and remove the lid from fixture.



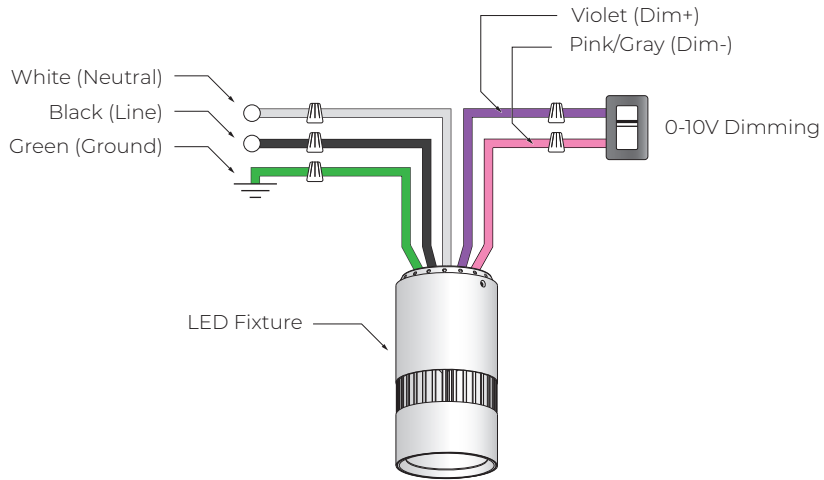
Fasten nuts on both sides of fixture lid, and secure safety cables. Make electric connections inside the fixture (Refer to wiring diagram).



Secure stem mount on fixture lid, and secure using two allen screws.

WIRING DIAGRAM

SPV 0-10V



TRC

