

VELA 5

ARCHITECTURAL CYLINDERS WITH TRANSFORMATIVE PERFORMANCE

Housing

Diameter : Ø5.3" | Height : 9.7" | Weight : 3.8 lbs

Material

Housing: High Pressure Die-Cast Aluminum, PC Shroud

Lens: Clear polycarbonate

Power Input

15W, 25W, 35W, 45W | 120-277V

Lumen Output

1,620 lm (15W), 2,800 lm (25W), 3,850 lm (35W), 5,000 lm (45W)

Dimming

Superior 0-10V: dims to 1%, dims to dark

TRC: Line-voltage phase control, dims to 1% (120V only)

DALI: Dims to 10%

Color Quality

CRI 85

Rated Life

> 60,000 Hours (L70)

Finish



Black



White

Color Temperature



3000K



3500K



4000K

Optics



10°



30°



45°



55°

Mounting



Stem
Mount



Adjustable
Cable



Cord
Mount



Surface
Mount

Warranty

5 Year limited warranty

Listing

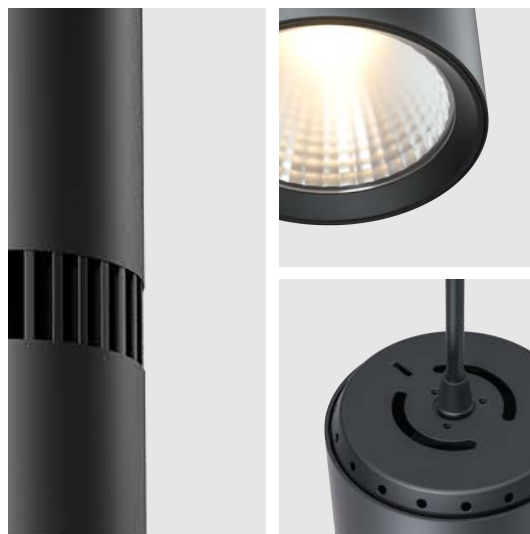


All The Performance You Need In One Family

High performing 5-inch aperture cylinder with delivered lumen package of 1,570 – 5,000 lm.

Available with aluminum and polycarbonate shroud accessories.

Suitable for general illumination for a wide variety of project applications.



SPECIFICATION SHEET

VELA 5 ARCHITECTURAL CYLINDERS
WITH TRANSFORMATIVE PERFORMANCE



SPECIFICATION

PROJECT NAME	DATE
<input type="text"/>	<input type="text"/>
CATALOG #	QUANTITY
<input type="text"/>	<input type="text"/>

VA5	MODEL	VELA 5		
<input type="text"/>	WATTAGE	15 15W 45 45W	25 25W	35 35W
<input type="text"/>	CCT / CRI	308 3000K / CRI 85	358 3500K / CRI 85	408 4000K / CRI 85
UNV	VOLTAGE	UNV 120 – 277V		
<input type="text"/>	DIMMING	SPV Superior 0-10V: dims to 1%, dims to dark	TRC ¹ Line-voltage phase control, dims to 1%	DALI ² DALI dims to 10%
<input type="text"/>	TYPE	STD Standard Cylinder FRS12 Frosted PC Shroud 12" ALS16 Aluminum Shroud 16"	PCS12 Polycarbonate Shroud 12" FRS16 Frosted PC Shroud 16"	PCS16 Polycarbonate Shroud 16" ALS12 Aluminum Shroud 12"
<input type="text"/>	BEAM ANGLE*	10 10° 55 55°	30 30°	45 45°
<input type="text"/>	FINISH ³	BLK Black	WHT White	
<input type="text"/>	MOUNTING	SUM Surface Mount ST4 Stem 4ft	CM10 ⁴ Cord Mount 10ft AD10 Adjustable Cable 10ft	ST2 Stem 2ft SAD10 Sloped Adjustable Cable 10ft
<input type="text"/>	ACCESSORIES	NO No Accessories CT ⁹ Conduit Mount AWW ¹⁰ Lutron Athena Wireless Module White	CON ^{5,6,7} Conical Lens FCS Field Cut Stem Adapter Kit NXB ¹¹ NX Radio Module Black	EMP ⁸ Remote Emergency Pack AWB ¹⁰ Lutron Athena Wireless Module Black NXW ¹¹ NX Radio Module White

¹ Option is only compatible with 120V
² Option is not compatible with 45W
³ For image reference, see page 4. For special color requests, please contact your Meteor representative.
⁴ CM10 only applies to STD fixture
⁵ CON can only be paired with ALS, PCS, FRS Types
⁶ Conical Lens comes in the same color as the selected type and is not compatible with FRS12
⁷ Please factor in a -15% change in lumen output with CON, and -20% when using CON with FRS16
⁸ EMP not compatible with CM10 mounting
⁹ CT only compatible with ST and AD mounting types
¹⁰ Option is only compatible with SPV, DALI
¹¹ Option is only compatible with SPV
* Beam Angles only apply to STD Type

SPECIFICATION SHEET

VELA 5 ARCHITECTURAL CYLINDERS WITH TRANSFORMATIVE PERFORMANCE



TECHNICAL DETAILS

Electrical

- 1,620 lm (15W) , 2,800 lm (25W), 3,850 lm (35W) 5,000 lm (45W)
- Power Input: Universal (120-277V)
- Operating Temperature: -13°F~112°F
- Surge Protection: Built-in is 4KV
- Remote Emergency Pack: Philips Bodine BSL20B2UEK55C11

LED Features

- Color Temperature: 3000K, 3500K, 4000K
- CRI ≥ 85
- Long lasting LED luminaire tested under TM21 lumen maintenance L70 @ 60,000 Hrs

Optics

- Precision molded high transmittance clear lenses
- Beam Angle: 10°, 30°, 45°, 55°

Advanced Dimming

- Superior 0-10V: dims to 1%, dims to dark
- TRC : Line-voltage phase control, dims to 1% (120V only)
- DALI: Dims to 10%

Warranty

- 5-year limited warranty

Housing

- Diameter: Ø5.3"
- Material: High Pressure Die-Cast Aluminum, PC Shroud
- Height:
 - Standard - 9.7"
 - Polycarbonate Shroud 12" & Frosted PC Shroud 12" - 14"
 - Polycarbonate Shroud 16" & Frosted PC Shroud 16" - 17"
 - Aluminum Shroud 12" - 14"
 - Aluminum Shroud 16" - 17"
- Weight:
 - Standard - 3.8 lbs
 - Polycarbonate Shroud 12" & Frosted PC Shroud 12" - 4.9 lbs
 - Polycarbonate Shroud 16" & Frosted PC Shroud 16" - 4.9 lbs
 - Aluminum Shroud 12" - 5.1 lbs
 - Aluminum Shroud 16" - 5.1 lbs

Mounting

- Stem Mount 2ft or 4ft
- Cord Mount 10ft
- Surface Mount
- Adjustable Cable Mount 10ft
- Sloped Adjustable Cable Mount 10ft

Listing

- ETL Damp Location Listed
- FCC
- CE

PERFORMANCE SUMMARY*

STD (Standard)			
CCT/WATTAGE	3000K	3500K	4000K
15W	1,570lm	1,600lm	1,620lm
25W	2,710lm	2,770lm	2,800lm
35W	3,730lm	3,810lm	3,850lm
45W	4,800lm	4,900lm	5,000lm

*Beam Angle: 55° *Tolerance ±8%

PCS (PC Shroud)			
CCT/WATTAGE	3000K	3500K	4000K
15W	1,280lm	1,300lm	1,320lm
25W	2,190lm	2,240lm	2,250lm
35W	2,990lm	3,050lm	3,080lm
45W	3,880lm	3,960lm	4,000lm

*Beam Angle: 55° *Tolerance ±8%

ALS (Aluminum Shroud)			
CCT/WATTAGE	3000K	3500K	4000K
15W	1,240lm	1,260lm	1,280lm
25W	2,110lm	2,150lm	2,160lm
35W	2,890lm	2,950lm	2,970lm
45W	3,730lm	3,810lm	3,820lm

*Beam Angle: 55° *Tolerance ±8%

FRS (Frosted PC Shroud)			
CCT/WATTAGE	3000K	3500K	4000K
15W	1,150lm	1,170lm	1,180lm
25W	1,970lm	2,010lm	2,020lm
35W	2,690lm	2,740lm	2,770lm
45W	3,490lm	3,560lm	3,600lm

*Beam Angle: 55° *Tolerance ±8%

SPECIFICATION SHEET

VELA 5 ARCHITECTURAL CYLINDERS
WITH TRANSFORMATIVE PERFORMANCE

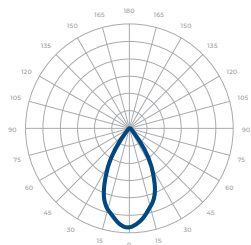


PERFORMANCE SUMMARY*

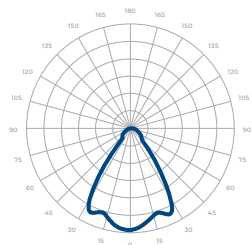
Current Consumption		
WATTAGE / VOLT	120V	277V
15W	0.14A	0.06A
25W	0.23A	0.10A
35W	0.32A	0.14A
45W	0.42A	0.18A

PHOTOMETRICS

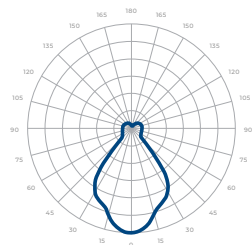
Below is a typical photometric representation of the Vela 5 fixture. Please download IES files to ensure exact photometric value.



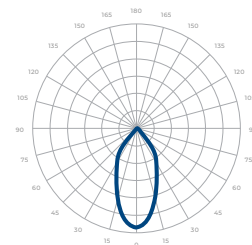
STD (STANDARD) 55°



PCS (POLYCARBONATE SHROUD)



FRS (FROSTED PC SHROUD)



ALS (ALUMINUM SHROUD)

COLOR FINISH

Black Finish



White Finish



SPECIFICATION SHEET

VELA 5 ARCHITECTURAL CYLINDERS
WITH TRANSFORMATIVE PERFORMANCE



ACCESSORIES

Polycarbonate Shroud



Frosted PC Shroud



Aluminum Shroud



Polycarbonate Shroud
With Conical Lens



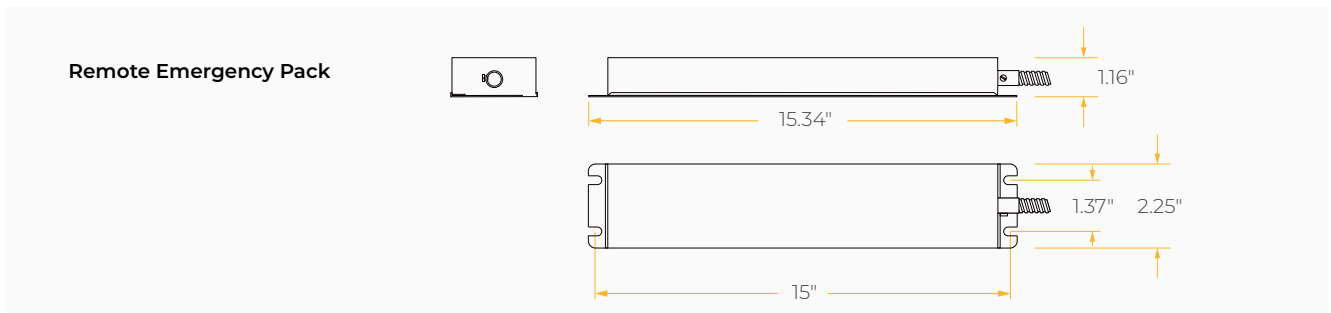
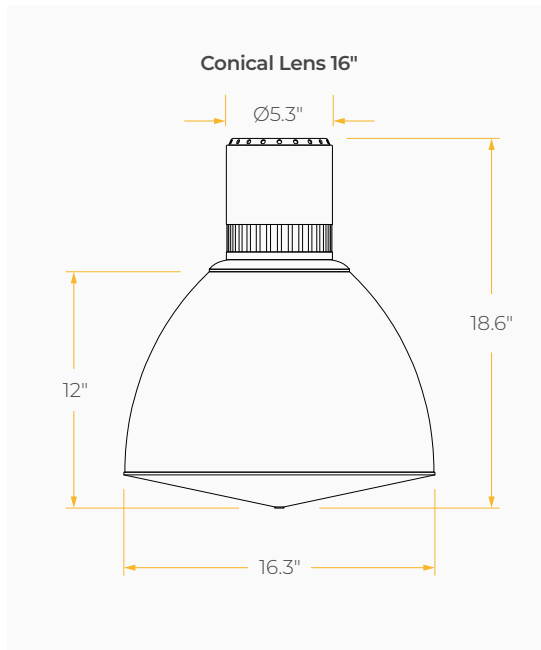
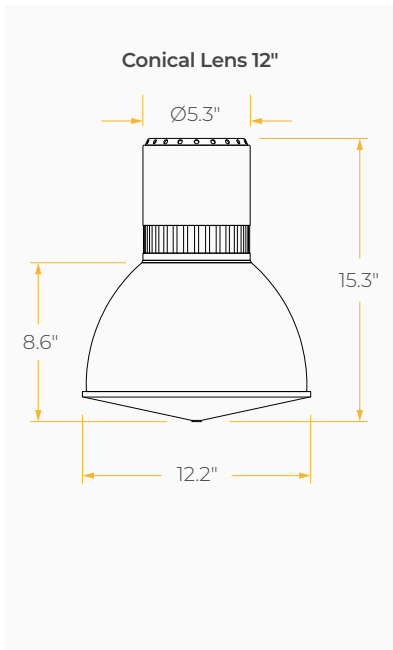
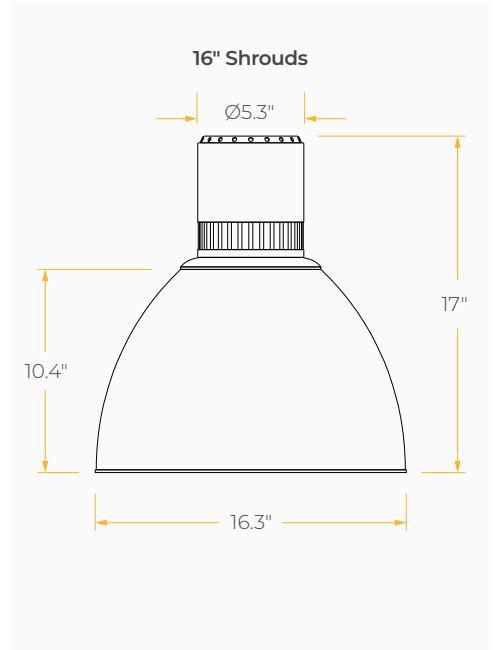
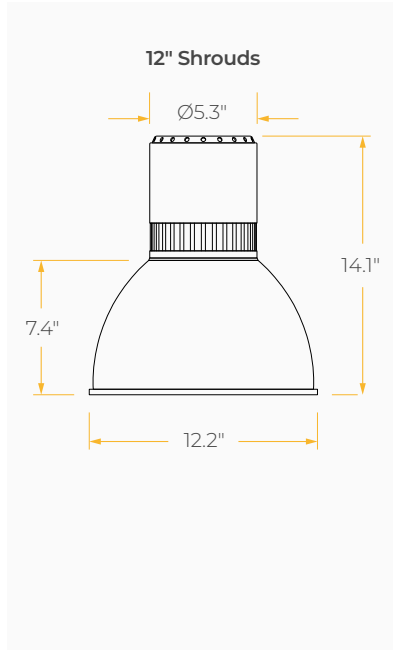
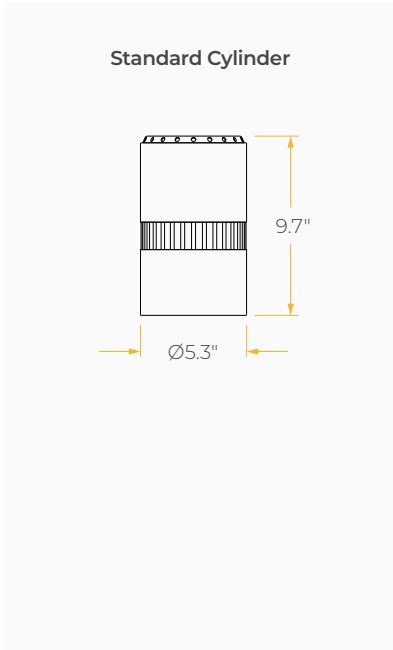
Frosted PC Shroud
With Conical Lens



Aluminum Shroud
With Conical Lens



DIMENSIONS

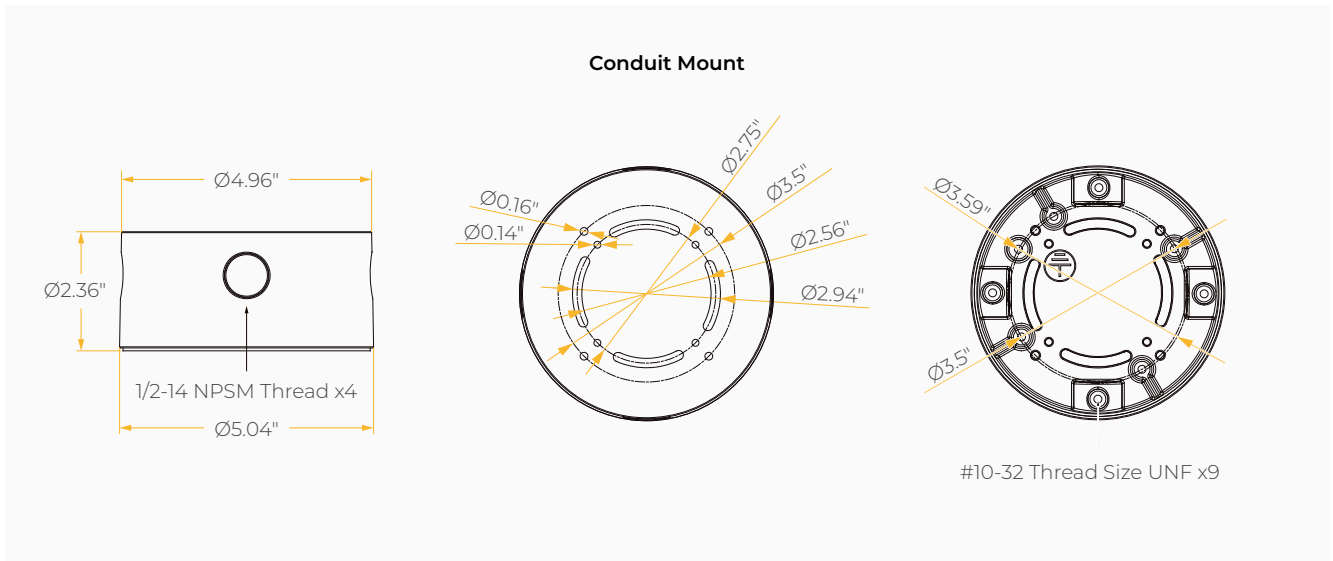


SPECIFICATION SHEET

VELA 5 ARCHITECTURAL CYLINDERS
WITH TRANSFORMATIVE PERFORMANCE

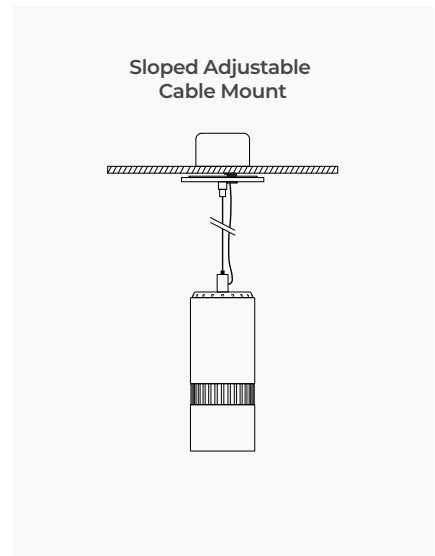
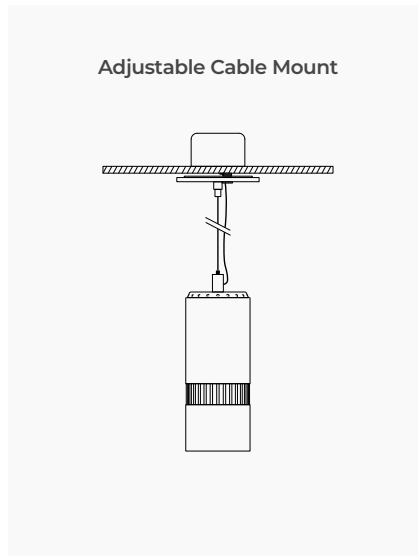
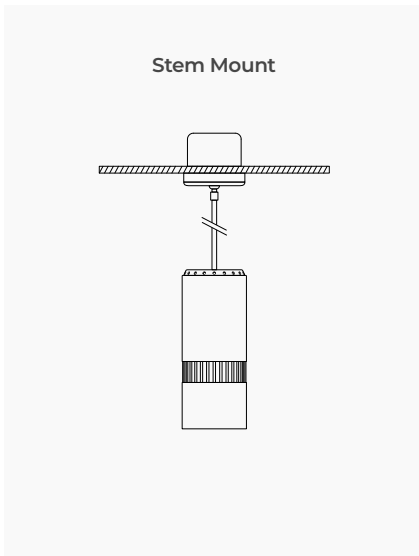


DIMENSIONS



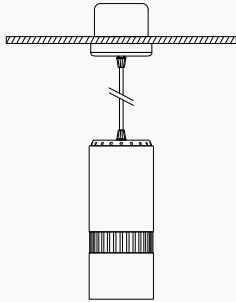
MOUNTING OPTIONS*

*Junction Box not included



MOUNTING OPTIONS*

Cord Mount



Surface Mount

