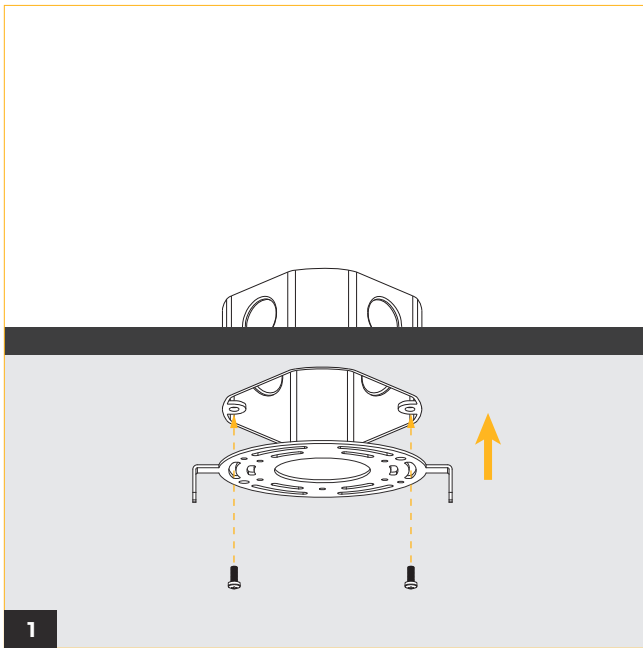


IMPORTANT SAFETY INFORMATION READ AND FOLLOW ALL SAFETY INSTRUCTIONS

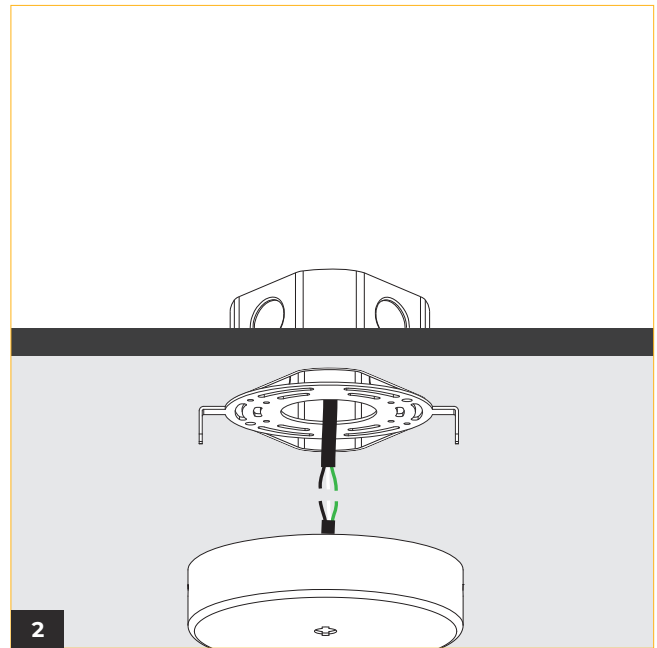
**FOR FIELD ASSISTANCE PLEASE CALL
+1-213-255-2060 #4**

- Before wiring to power supply and during servicing or relamping, turn off power at fuse or circuit breaker.
- All servicing or relamping must be performed by qualified service personnel.
- Product must be grounded to avoid potential electric shock or other potential hazard.
- Product must be installed at locations and heights, in a manner consistent with its intended use, and in compliance with electrical code and local codes.

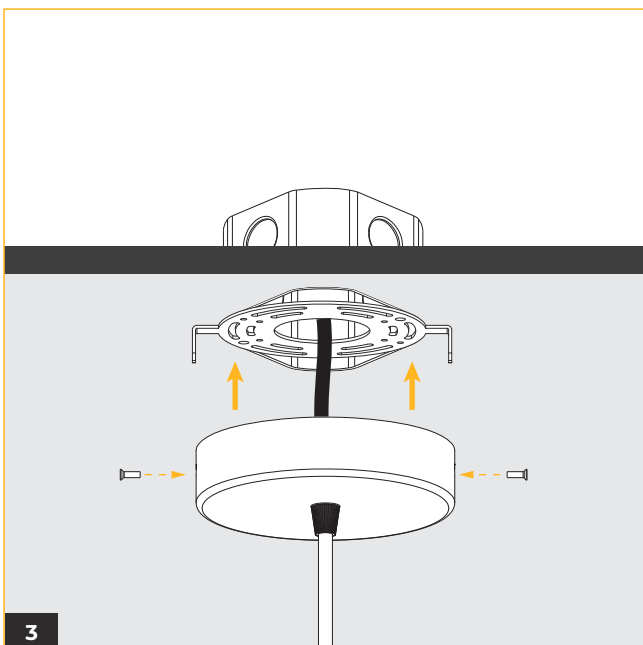
SAVE THESE INSTRUCTIONS FOR FUTURE REFERENCE



1 Screw in the cord mount bracket on the junction box using 2 screws.



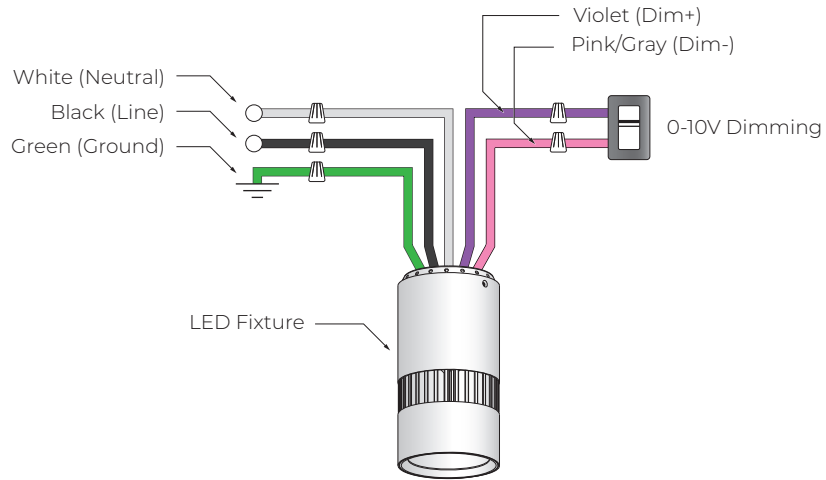
2 Make electrical connections between junction box and fixture (refer to wiring diagram).



3 Cover junction box with mounting plate by securing 2 allen screws on either side of canopy.

WIRING DIAGRAM

SPV 0-10V



TRC

