

VELA 4

ARCHITECTURAL CYLINDERS WITH TRANSFORMATIVE PERFORMANCE

Housing

Diameter : Ø4.2" | Height : 10.3" | Weight : 3.8 lbs

Material

Housing: High Pressure Die-Cast Aluminum, PC Shroud

Lens: Clear polycarbonate

Power Input

15W, 25W | 120-277V

Lumen Output

1,530 lm (15W), 2,400 lm (25W)

Dimming

Superior 0-10V: dims to 1%, dims to dark

TRC: Line-voltage phase control, dims to 1% (120V only)

DALI: Dims to 10%

Color Quality

CRI 85

Rated Life

> 60,000 Hours (L70)

Finish



Black



White

Color Temperature



3000K



3500K



4000K

Optics



10°



25°



35°



55°

Mounting



Stem
Mount



Adjustable
Cable



Cord
Mount



Surface
Mount

Warranty

5 Year limited warranty

Listing

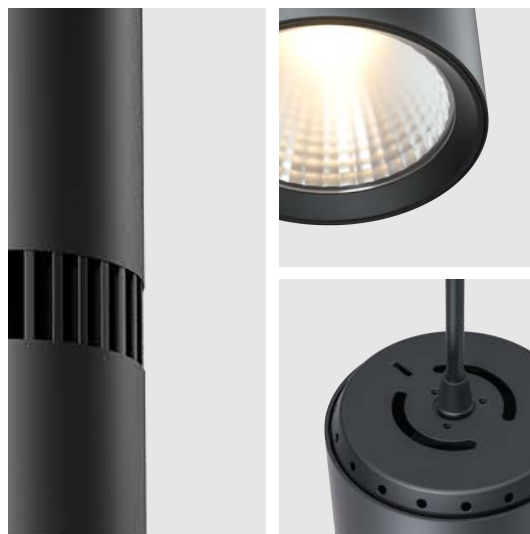


All The Performance You Need In One Family

High performing 4-inch aperture cylinder with delivered lumen package of 1,480 – 2,400 lm.

Available with aluminum and polycarbonate shroud accessories.

Suitable for general illumination for a wide variety of project applications.



SPECIFICATION SHEET

VELA 4 ARCHITECTURAL CYLINDERS
WITH TRANSFORMATIVE PERFORMANCE



SPECIFICATION

PROJECT NAME	DATE
<input type="text"/>	<input type="text"/>
CATALOG #	QUANTITY
<input type="text"/>	<input type="text"/>

VA4	MODEL	VELA 4		
<input type="text"/>	WATTAGE	15 15W	25 25W	
<input type="text"/>	CCT / CRI	308 3000K / CRI 85	358 3500K / CRI 85	408 4000K / CRI 85
UNV	VOLTAGE	UNV 120 – 277V		
<input type="text"/>	DIMMING	SPV Superior 0-10V dims to 1%, dims to dark	TRC ¹ Line-voltage phase control, dims to 1%	DALI DALI dims to 10%
<input type="text"/>	TYPE	STD Standard Cylinder FRS12 Frosted PC Shroud 12" ALS16 Aluminum Shroud 16"	PCS12 Polycarbonate Shroud 12" FRS16 Frosted PC Shroud 16"	PCS16 Polycarbonate Shroud 16" ALS12 Aluminum Shroud 12"
<input type="text"/>	BEAM ANGLE*	10 10° 55 55°	25 25°	35 35°
<input type="text"/>	FINISH²	BLK Black	WHT White	
<input type="text"/>	MOUNTING	SUM Surface Mount ST4 Stem 4ft	CM10³ Cord Mount 10ft AD10 Adjustable Cable 10ft	ST2 Stem 2ft SAD10 Sloped Adjustable Cable 10ft
<input type="text"/>	ACCESSORIES	NO No Accessories CT⁸ Conduit Mount AWW⁹ Lutron Athena Wireless Module White	CON^{4,5,6} Conical Lens FCS Field Cut Stem Adapter Kit NXB¹⁰ NX Radio Module Black	EMP⁷ Remote Emergency Pack AWB⁹ Lutron Athena Wireless Module Black NXW¹⁰ NX Radio Module White

¹ Option is only compatible with 120V
² For image reference, see page 4. For special color requests, please contact your Meteor representative.
³ CM10 only applies to STD fixture
⁴ CON can only be paired with ALS, PCS, FRS Types
⁵ Conical Lens comes in the same color as the selected type and is not compatible with FRS12
⁶ Please factor in a -15% change in lumen output with CON, and -20% when using CON with FRS16
⁷ EMP not compatible with CM10 mounting
⁸ CT is only compatible with ST and AD mounting types
⁹ Option is only compatible with SPV, DALI
¹⁰ Option is only compatible with SPV
* Beam Angles only apply to STD fixture

SPECIFICATION SHEET

VELA 4 ARCHITECTURAL CYLINDERS WITH TRANSFORMATIVE PERFORMANCE



TECHNICAL DETAILS

Electrical

- 1,530 lm (15W) , 2,400 lm (25W)
- Power Input: Universal (120-277V)
- Operating Temperature: -13°F~112°F
- Surge Protection: Built-in is 4KV
- Remote Emergency Pack: Philips Bodine BSL20B2UEK55C11

LED Features

- Color Temperature: 3000K, 3500K, 4000K
- CRI ≥ 85
- Long lasting LED luminaire tested under TM21 lumen maintenance L70 @ 60,000 Hrs

Optics

- Precision molded high transmittance clear lenses
- Beam Angle: 10°, 25°, 35°, 55°

Advanced Dimming

- Superior 0-10V: dims to 1%, dims to dark
- TRC : Line-voltage phase control, dims to 1% (120V only)
- DALI: Dims to 10%

Warranty

- 5-year limited warranty

Housing

- Diameter: Ø4.2"
- Material: High Pressure Die-Cast Aluminum, PC Shroud
- Height:
 - Standard - 10.3"
 - Polycarbonate Shroud 12" & Frosted PC Shroud 12" - 15.5"
 - Polycarbonate Shroud 16" & Frosted PC Shroud 16" - 18.5"
 - Aluminum Shroud 12" - 15.5"
 - Aluminum Shroud 16" - 18.5"
- Weight:
 - Standard - 3.8 lbs
 - Polycarbonate Shroud 12" & Frosted PC Shroud 12" - 4.9 lbs
 - Polycarbonate Shroud 16" & Frosted PC Shroud 16" - 4.9 lbs
 - Aluminum Shroud 12" - 5.1 lbs
 - Aluminum Shroud 16" - 5.1 lbs

Mounting

- Stem Mount 2ft or 4ft
- Cord Mount 10ft
- Surface Mount
- Adjustable Cable Mount 10ft
- Sloped Adjustable Cable 10ft

Listing

- ETL Damp Location Listed
- FCC
- CE

PERFORMANCE SUMMARY*

STD (Standard)			
CCT/WATTAGE	3000K	3500K	4000K
15W	1,480lm	1,510lm	1,530lm
25W	2,320lm	2,370lm	2,400lm

*Beam Angle: 55° *Tolerance ±8%

ALS (Aluminum Shroud)			
CCT/WATTAGE	3000K	3500K	4000K
15W	1,240lm	1,250lm	1,260lm
25W	1,920lm	1,960lm	2,000lm

*Beam Angle: 55° *Tolerance ±8%

PCS (PC Shroud)			
CCT/WATTAGE	3000K	3500K	4000K
15W	1,300lm	1,310lm	1,350lm
25W	2,040lm	2,080lm	2,100lm

*Beam Angle: 55° *Tolerance ±8%

FRS (Frosted PC Shroud)			
CCT/WATTAGE	3000K	3500K	4000K
15W	1,110lm	1,120lm	1,160lm
25W	1,750lm	1,780lm	1,800lm

*Beam Angle: 55° *Tolerance ±8%

Current Consumption		
WATTAGE / VOLT	120V	277V
15W	0.14A	0.06A
25W	0.23A	0.10A

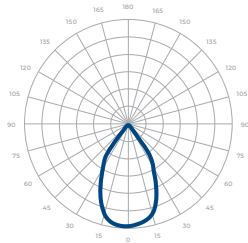
SPECIFICATION SHEET

VELA 4 ARCHITECTURAL CYLINDERS
WITH TRANSFORMATIVE PERFORMANCE

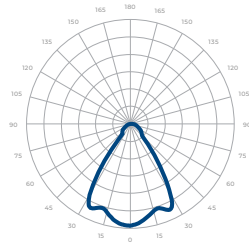


PHOTOMETRICS

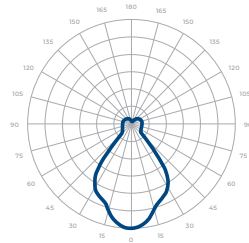
Below is a typical photometric representation of the Vela 4 fixture. Please download IES files to ensure exact photometric value.



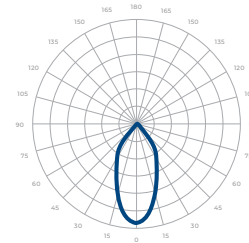
STD (STANDARD) 55°



PCS (POLYCARBONATE SHROUD)



FRS (FROSTED PC SHROUD)



ALS (ALUMINUM SHROUD)

COLOR FINISH

Black Finish



White Finish

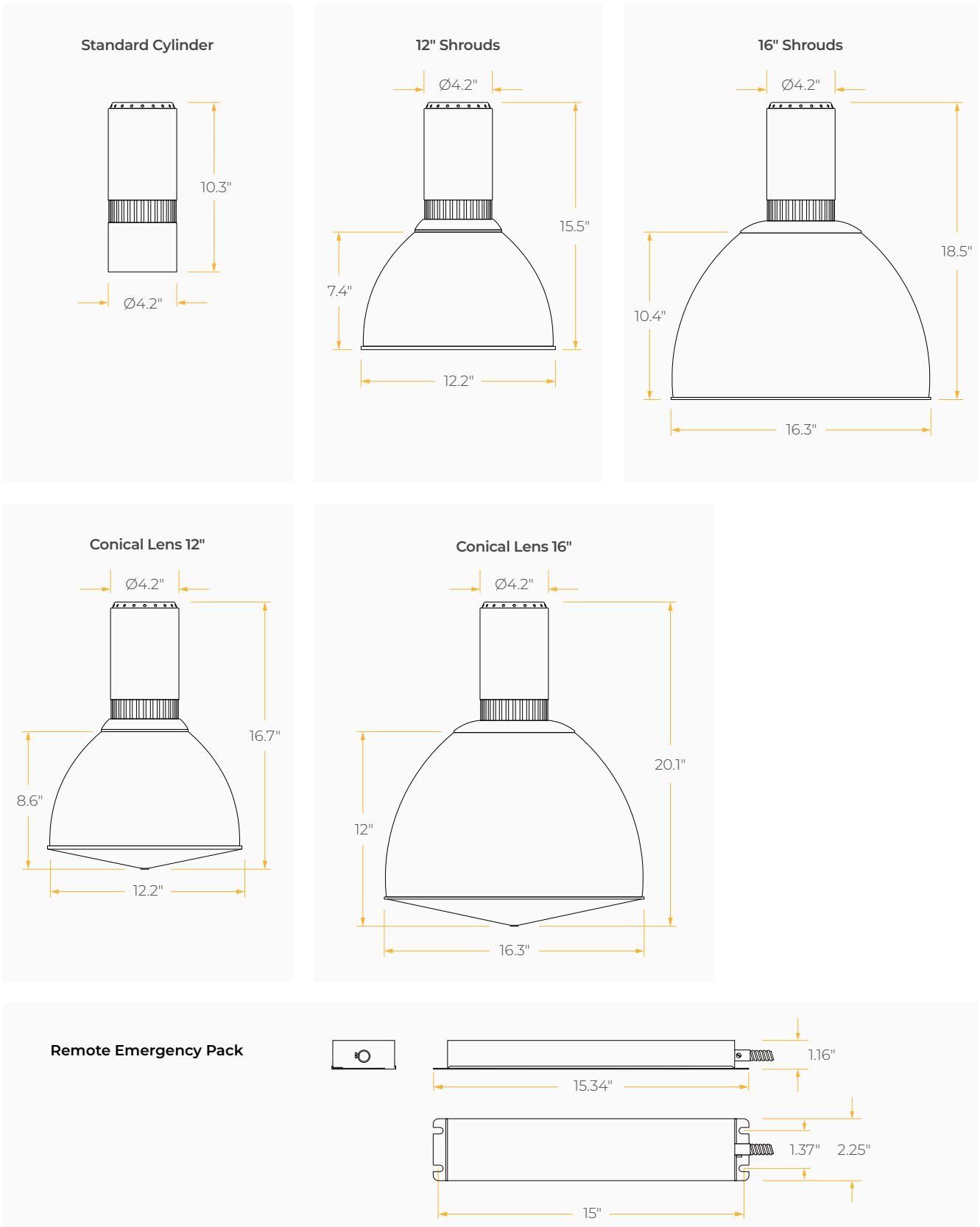


SPECIFICATION SHEET

VELA 4 ARCHITECTURAL CYLINDERS WITH TRANSFORMATIVE PERFORMANCE



DIMENSIONS

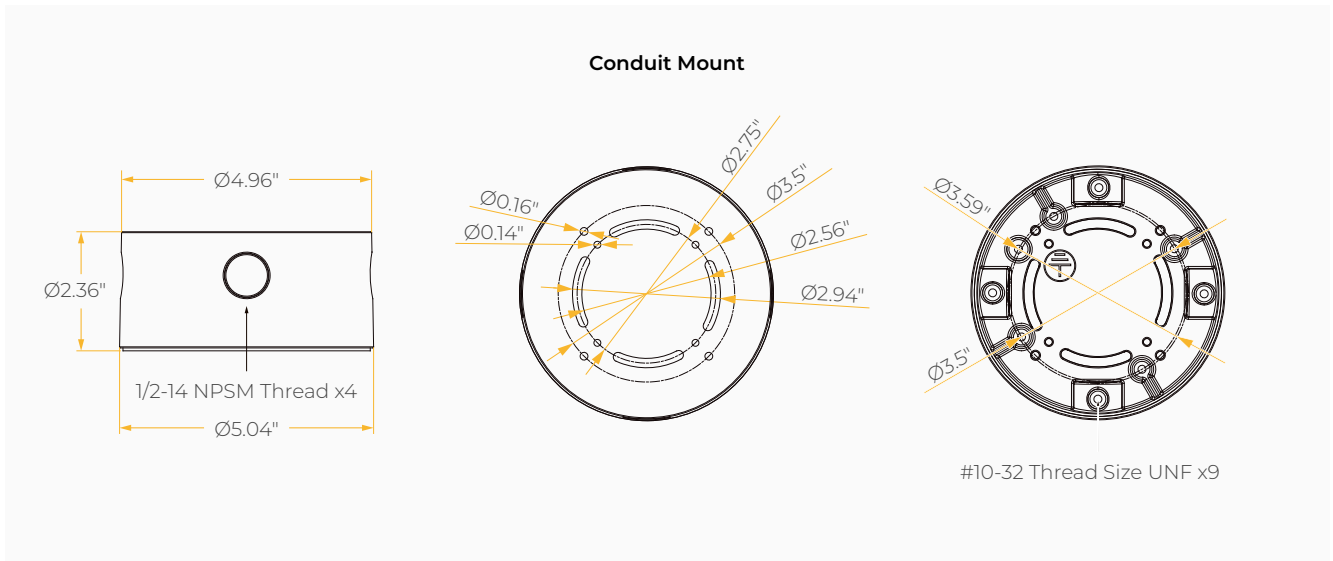


SPECIFICATION SHEET

VELA 4 ARCHITECTURAL CYLINDERS
WITH TRANSFORMATIVE PERFORMANCE

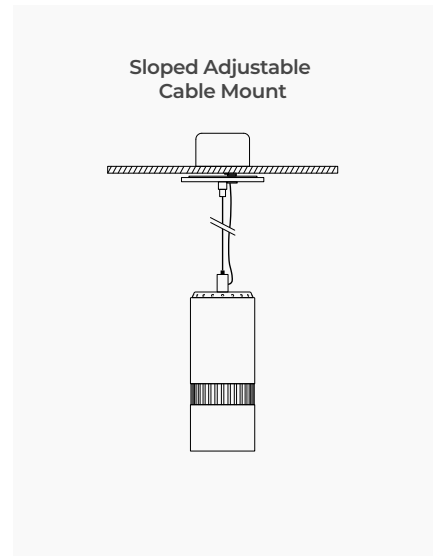
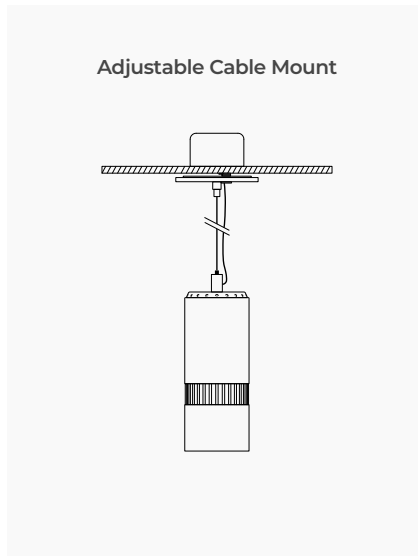
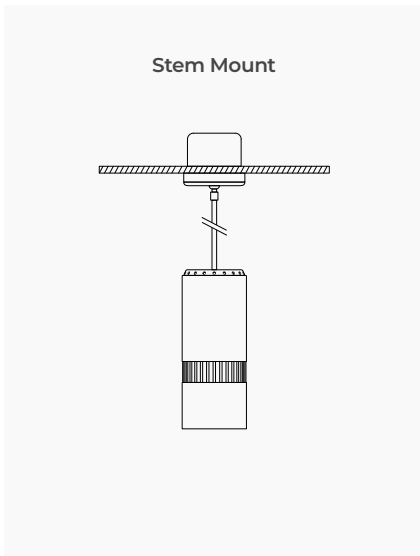


DIMENSIONS



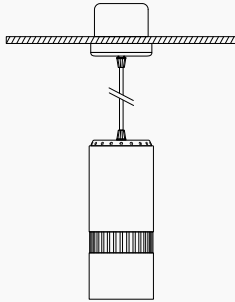
MOUNTING OPTIONS*

**Junction Box not included*

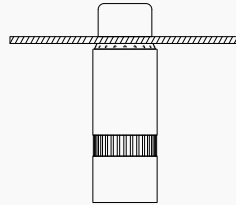


MOUNTING OPTIONS*

Cord Mount



Surface Mount



SPECIFICATION SHEET

VELA 4 ARCHITECTURAL CYLINDERS
WITH TRANSFORMATIVE PERFORMANCE



ACCESSORIES

Polycarbonate Shroud



Frosted PC Shroud



Aluminum Shroud



Polycarbonate Shroud
With Conical Lens



Frosted PC Shroud
With Conical Lens



Aluminum Shroud
With Conical Lens

