

Signum 8 - Standard



8-inch aperture high lumen with lumen output 3230 – 4220lm.



Quantity	Type
Project	Note

Electrical System

- 4220lm (45W)
- Power Input: Universal (120-277V)
- Operating Temperature: -13°F~112°F
- Surge Protection: 2.5KV
- Power Factor Greater than 0.9
- Remote Emergency Pack: Bodine BSL20B2UEK55C1I1

LED Technology

- 2700K, 3000K, 3500K, 4000K, 5000K
- 85 CRI
- Beam Angle: 25°, 40°, 60°, 100°
- Rated Life > 60,000 Hours (L70)

Advanced Dimming

(Proprietary VX Driver is incorporated to all dimming options for video flicker-free lighting)

- Standard 0-10V dims to 10%
- Superior 0-10V: dims to 1%
- DMX: high resolution dims to 0.1%
(Supports ANSI E1.20 RDM protocol)
- TRC: Line-voltage phase control, dims to 1% (120V only)

Housing

- Diameter: 8.26" (210mm)
- Height: 9.25" (235mm)
- Material: Steel, Aluminum
- Weight: 11.02 lbs

Mounting

- Surface Mount
- Stem 2ft, 4ft; 37° Swivel Canopy Included
- Adjustable Aircraft Cable 10ft
- Wall Mount
- Yoke Mount

Warranty

- 5-year limited warranty

Listing

- ETL Dry Location Listed
- CE



Signum 8 - Standard



How to Specify:

Ordering Example: SS8-45-358-UNV-SPV-40-BLK-AD10

4-5 weeks lead time on over 75% of specifications.

Model	Wattage	CCT / CRI	Voltage	Dimming
SS8			UNV	
SS8 Signum 8	45 45W	278 2700K / CRI85 308 3000K / CRI85 358 3500K / CRI85 408 4000K / CRI85 508 5000K / CRI85	UNV 120-277V	STV STV Standard 0-10V dims to 10% SPV Superior 0-10V dims to 1% DMX DMX dims to 0.1% (XLR Sockets) DMX(RJ45) DMX dims to 0.1% (RJ45 Sockets) TRC Line-voltage phase control, dims to 1% (120V only)

Beam Angle	Finish	Mounting	Accessories
25 25° 40 40° 60 60° WD 100°	BLK Black WHT White	SUM Surface Mount ST2 Stem 2ft ST4 Stem 4ft AD10 Adjustable Aircraft Cable 10ft WLM Wall Mount YKM Yoke Mount	SPD ¹ Surge Protector EMP Remote Emergency Pack
			¹ Surge protector for up to 10KV. Applicable for unstable mains or facilities using high power machineries

Signum 8 - Standard

Delivered Lumens*

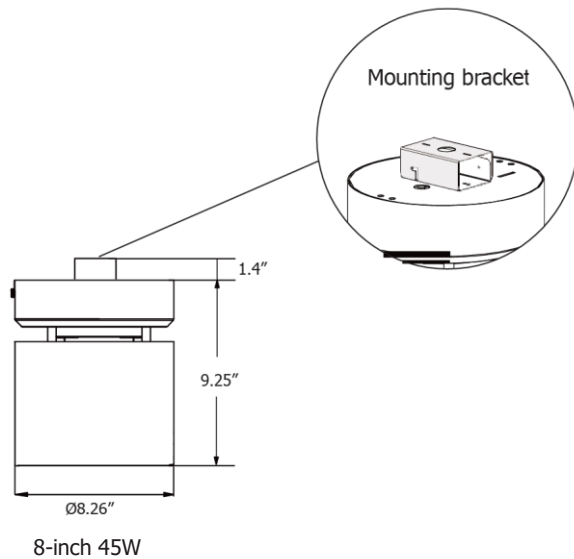
Wattage		SS8-45
CCT	Beam Angle: 25°	
	5000K	4220 lm
	4000K	3770 lm
	3500K	3490 lm
	3000K	3350 lm
	2700K	3230 lm

*Tolerance±8%

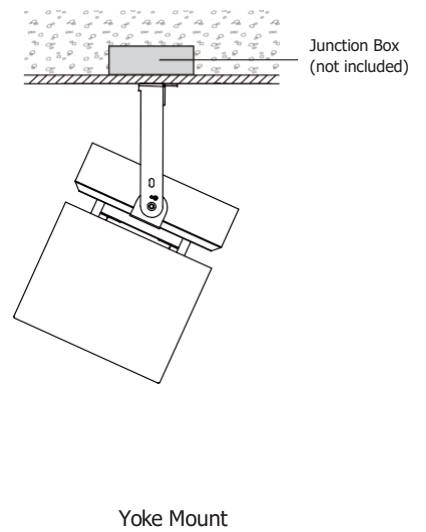
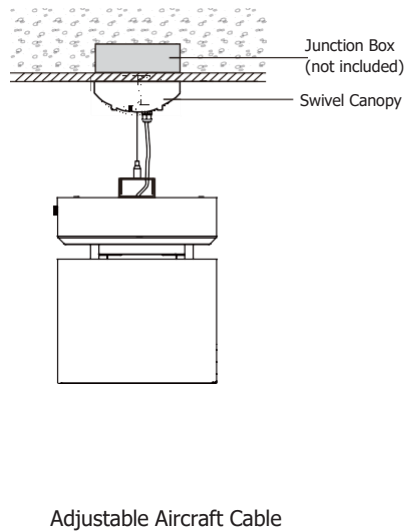
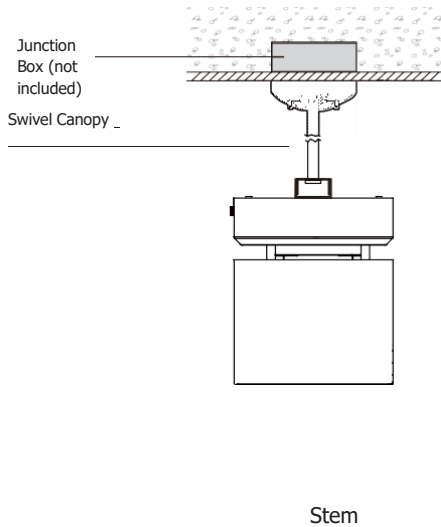
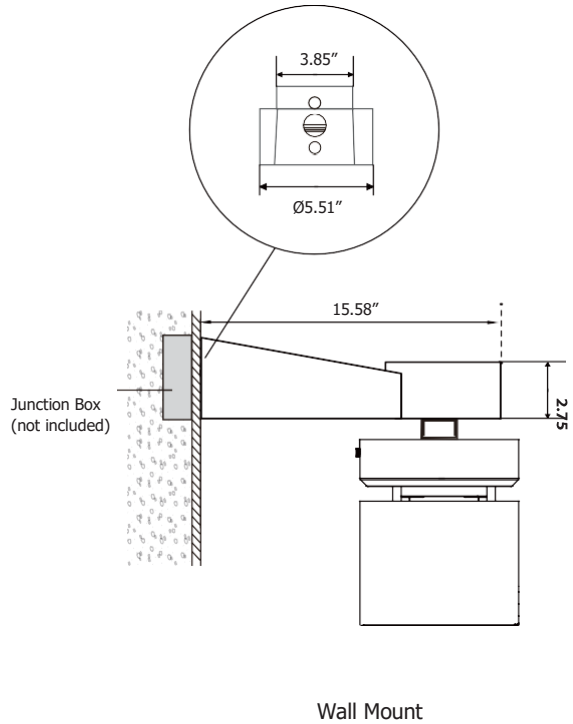
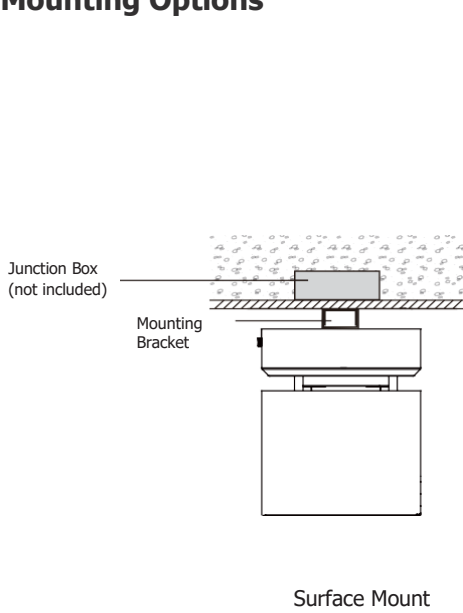
Current Consumption

Wattage		120V	277V
45W		0.47A	0.20A

Dimensions



Mounting Options



Signum 8 - Standard



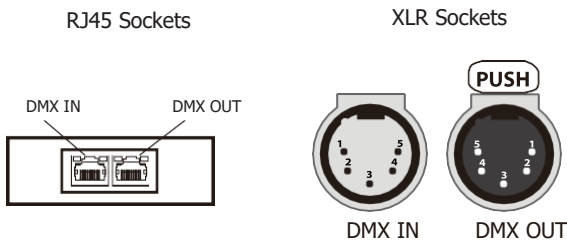
DMX Requirements*

The Signum 8 LED fixture with DMX is a ONE CHANNEL DMX unit.

When placing order, please indicate DMX address. (The DMX address will be listed on the back of the fixture.)

The LED fixture provide RJ45 Socket or XLR socket to connect. (DMX cable NOT included.)

The final fixture should be terminated by the use of DMX Terminator (by others).

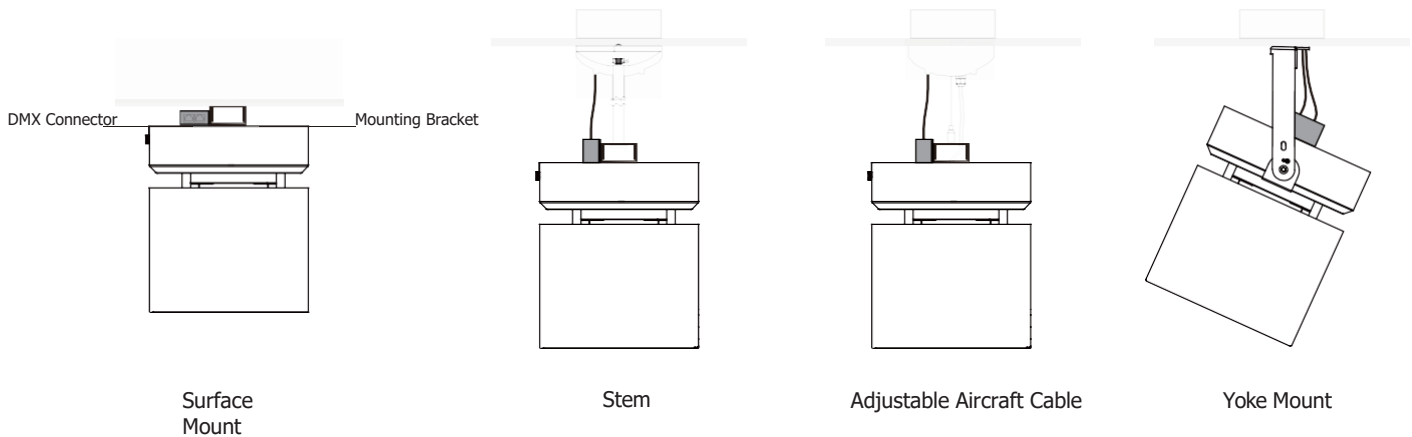


CONNECTION	RJ45 (CAT5e)	5-PIN XLR
Common	WHITE/BROWN(PIN7) & BROWN (PIN 8)	PIN 1
Signal -	ORANGE (PIN 2)	PIN 2
Signal +	WHITE/ORANGE (PIN 1)	PIN 3
Spare	-	PIN 4
Spare	-	PIN 5

Compatible DMX Cabling List

DMX uses a cable consisting of two twisted pairs plus a shield to carry data. The cable must be specifically impedance matched for the digital DMX signal, meaning that microphone cable or other non-rated cable **must not be used to carry DMX**. Network cable (Cat5, 5e or 6 cable) may be used to carry DMX in an installation; however special consideration must be given to shielding and termination. Under no circumstances should solid core cable like Cat5 be terminated into a screw down connector.

Meteor recommends the use of Belden 9729 for DMX installation. Belden 9729 is a two pair cable, which allows for a spare pair for 'out and back' type terminations if needed. Below is a list of other compatible Belden cables.



Compatible LTE Dimmer List

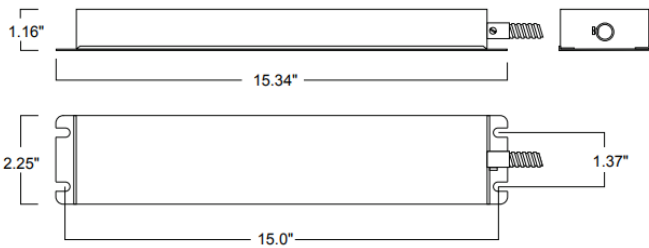
LUTRON PART NO.

RRD-6NA-	RRT-G5NEW-	RRT-GH	HQRD-10ND-	HQRT-GH	HQRD-HN	PD-10NXD-
RRD-6ND	RRT-G25LW-	HQRD-6NA-	MRF2-6ND-120-	HQRT-G25LW-	GT-250M-	PD-5NE-
RRD-10ND-	RRD-HN	HQRD-6ND-	MRF2S-6ND-120-	HQRT-G5NEW-	GTJ-250M-	

Signum 8 - Standard



Remote Emergency Pack



Emergency Pack Lumen Output Table

CCT	2700K	3000K	4000K	5000K
Lumen	1640 lm	1760 lm	1890 lm	1950 lm

Mounting with standard ceiling recessed Junction BOX

