

SP-010

SOLAR LED BOLLARD

Housing

Diameter : Ø6.3" | Height : 33.5" | Weight : 17.7 lbs

Material

Housing: Extruded aluminum

Operation Time

The solar LED bollard can operate for a minimum of 12 hours per day (dusk to dawn)

Required Charge Time

Required charge time is 3-4 hours under direct sunlight, or 5-8 hours under overcast weather conditions for full battery capacity.

Battery Capacity

At full battery capacity, the luminaire can operate continuously for 3 to 4 days under overcast weather conditions

Finish



Black



Gray



Platinum silver

Rated Life

> 100,000 Hours (L70)

Color Temperature



3000K



4000K



5700K

Distribution



Narrow



Wide

Anchorage



Embedded



Surface Mounted

Warranty

3 Year limited warranty

Listing



IP65



Architectural, Functional and Green Renewable.

Meteor's Solar LED bollard is the perfect architectural grade bollard for renewable and low maintenance applications. Featuring a smart motion sensor, variety of optic selections, and color temperature options, these Solar LED Bollards make it ideal for applications such as resorts, off-road hiking trails, shopping malls, and other exterior applications.



SPECIFICATION SHEET

SP-010 SOLAR
LED BOLLARD



SPECIFICATION

PROJECT NAME

DATE

CATALOG #

QUANTITY

<input type="text"/>	MODEL	SP010 SP-010	SP012 SP-012
<input type="text"/>	CCT/CRI	30K 3000K BLU Blue	40K 4000K 57K 5700K
<input type="text"/>	FINISH	BLK Black	GRY Gray PTS Platinum Silver
<input type="text" value="RD"/>	DISTRIBUTION	RD Round	
<input type="text"/>	ANCHORAGE	AKE Embedded	AKS Surface Mounted

TECHNICAL DETAILS

Electrical

- Temperature Range: -40°F~140°F
- Operation Temperature: -13°F~122°F
- Solar Panel: Crystalline silicon (1 x 8W), Lifespan: 20 years
- Power Storage: Panasonic industrial battery pack, Lifespan: 8 - 10 years

LED Features

- Color Temperature: 3000K, 4000K, 5700K, Amber
- Long lasting LED luminaire tested under TM21 lumen maintenance L70 @ 100,000 Hrs

Operational

- Require charge time is 4 hours under direct sunlight, or 8 hours under overcast weather conditions.
- The solar LED bollard can operate for a minimum of 12 hours per day
- With a full charge, the unit can operate continuously for 3 to 4 days, even during rainy weather.
- Auto photo sensor switch: Dimming mode is set at 33% brightness and lights to 100% brightness for 1 minute when motion sensor is activated.
- On/Off Sensor: Luminaire auto turns on at 1.5fc / auto turns off at 3fc

Optics

- Distribution: Round
- One-piece 0.45" Thickness Glass lens
- Optimized and Internal Fluted Glass

Housing

- Diameter: Ø6.3" (SP-010, SP-012)
- Height: 38.75" (SP-010), 13.5" (SP-012)
- Material: Extruded aluminum
- Finish: Black, Gray, Platinum silver
- Weight: 17.7 lbs (SP-010) / 11 lbs (SP-012)
- Anchorage: Anchor base with stainless steel anti-theft screws

Mounting

- Embedded
- Surface mounted

Warranty

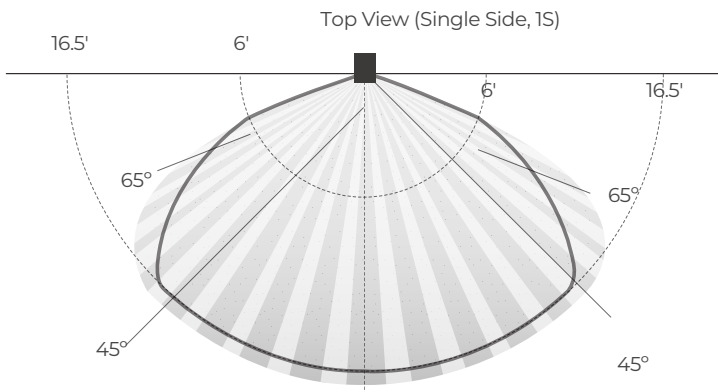
- 3-year limited warranty

Listing

- IP65
- FCC

MOTION SENSOR DETECTION

SP-010 Smart Solar Illuminating Bollard incorporates the latest infrared motion sensor. Dimming mode is set at 1/3 brightness and lights to 100% brightness for 1 minute when motion sensor is triggered. The high performance motion sensor detects abrupt changes in temperature within a 16.5ft radius. Movement within designated radius is necessary to trigger sensor to turn on.



SPECIFICATION SHEET

SP-010 SOLAR
LED BOLLARD



DIMENSIONS

