

REV FLEX 2

SPECIFICATION SHEET
RETROFIT

REVOLUTIONARY ADJUSTABLE DOWNLIGHTS

Housing

Aperture : Ø2.6" | Height : 3.8" | Weight : 1.06 lbs
Maximum Ceiling Thickness : 1" | Ceiling Cutout : 2.8"

Material

Housing: High Pressure Die-Cast Aluminum
Optics: Clear polycarbonate

Power Input

10W, 15W, 20W | 120V, 277V

Lumen Output

820 lm (10W), 1,050 lm (15W), 1,400 lm (20W)

Dimming

Superior 0-10V: dims to 1%, dims to dark
TRC : Line-voltage phase control, dims to 1%
DMX : High resolution dims to 0.1%
DALI : Logarithmic dims to 1%

Color Quality

CRI 85, CRI 93

Rated Life

> 100,000 Hours (L70)

Bezel Finish



Matte
Black



Matte
White



Matte
Silver

Trim Finish



Matte
Black



Matte
White

Color Temperature



2700K



3000K



3500K



4000K

Optics



25°



40°



55°

Adjustability



0°-30°
Tilt



0°-359°
Rotation

Warranty

5 Year limited warranty

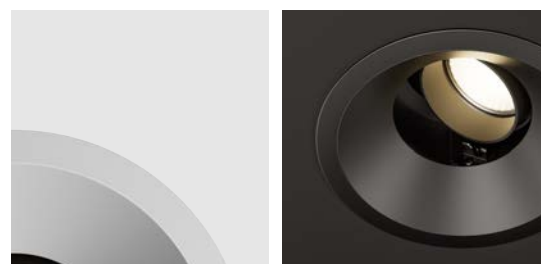
Listing



Quiet . Adjustable. Color Changing.

The new REV Flex series is an extension of Meteor's revolutionary downlights with an adjustable factor. Coming in a range of 2", 4" and 6" apertures. The REV Flex series feature 359° rotation, 30° tilt, and a variety of architectural illumination options.

All REV Flex configurations are Title 24 listed, and compatible with our proprietary high efficacy Archi-Color™ color changing technology W+RGB. Also features built-in Flicker-Free video recording with our VX™ Driver.



METEOR

meteor-lighting.com

SPECIFICATION

PROJECT NAME

DATE

CATALOG #

QUANTITY

| | | | | |
|-------------|--------------|--|---|--|
| RF2R | MODEL | REV FLEX 2 RETROFIT | | |
| | WATTAGE | 10 10W | 15 15W | 20 20W |
| A | BEZEL TYPE | A Adjustable Bezel | | |
| | CCT / CRI | 278 2700K / CRI 85 309 3000K / CRI 93 408 4000K / CRI 85 | 279 2700K / CRI 93 358 3500K / CRI 85 409 4000K / CRI 93 | 308 3000K / CRI 85 359 3500K / CRI 93 |
| | VOLTAGE | 120 120V | 277 277V | |
| | DIMMING | NOD Non-Dimming DMXP² DMX dims to 0.1% (Phoenix Connector) | SPV Superior 0-10V dims to 1%, dims to dark DMXR² DMX dims to 0.1% (RJ45 Sockets) | TRC¹ Line-voltage phase control, dims to 1% DALI DALI dims to 1% |
| | TRIM TYPE | R Round SF³ Square Flangeless | S Square | RF³ Round Flangeless |
| | TRIM FINISH | BLK Matte Black | WHT Matte White | |
| | BEZEL FINISH | BLK Matte Black | WHT Matte White | SLV Matte Silver |
| | BEAM ANGLE | 25 25° | 40 40° | 55 55° |
| | ACCESSORIES | NO No Accessories | HC⁴ Hex Cell Louver | |

¹ Option is only compatible with 120V

² DMXP and DMXR options does not have below ceiling access

³ Flangeless trims are always white in color

⁴ Please factor in change in lumen output of -25% with HC

TECHNICAL DETAILS

Electrical

- 820 lm (10W) , 1,050 lm (15W), 1,400 lm (20W)
- Power Input: Universal (120-277V)
- Operating Temperature: 14°F~104°F

LED Features

- Color Temperature: 2700K, 3000K, 3500K, 4000K
- CRI 85, CRI 93
- Long lasting LED luminaire tested under TM21 lumen maintenance L70 @ 100,000 Hrs

Optics

- Precision molded high transmittance clear PC lens
- Beam Angle: 25°, 40°, 55°

Advanced Dimming

- Proprietary VX Driver™ is incorporated to all dimming options for video flicker-free lighting
- Superior 0-10V: dims to 1%, dims to dark
- TRC : Line-voltage phase control, dims to 1% (120V only)
- DMX : High resolution dims to 0.1% (Supports ANSI E1.20 RDM protocol)
- DALI : Logarithmic dims to 1%

Housing

- Aperture: Ø2.6"
- Height: 3.8"
- Weight: 1.06 lbs
- Ceiling Cutout: 2.8"
- Maximum Ceiling Thickness: 1"
- Material: High Pressure Die-Cast Aluminum, PC Lens
- Non-IC Rated, insulation must be kept >0.5ft from housing
- Light engine, optics, and driver(s) accessible from below ceiling, except DMX

Warranty

- 5-year limited warranty

Listing

- ETL
- CE
- FCC
- JA8 Title 24 Compliant

PERFORMANCE SUMMARY*

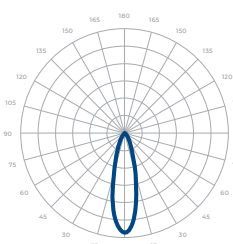
| | STD (Standard) | | | |
|-------------|----------------|---------|---------|---------|
| CCT/WATTAGE | 2700K | 3000K | 3500K | 4000K |
| 10W | 690lm | 720lm | 770lm | 820lm |
| 15W | 900lm | 950lm | 1,000lm | 1,050lm |
| 20W | 1,200lm | 1,270lm | 1,330lm | 1,400lm |

| | Current Consumption | |
|----------------|---------------------|-------|
| WATTAGE / VOLT | 120V | 277V |
| 10W | 0.08A | 0.04A |
| 15W | 0.13A | 0.06A |
| 20W | 0.16A | 0.07A |

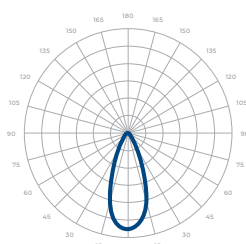
*Beam Angle: 40° *Tolerance ±8%

PHOTOMETRICS

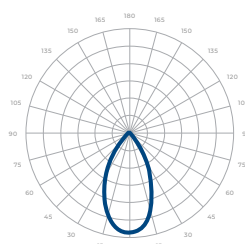
Below is a typical photometric representation of the Rev Flex 2 fixture. Please download IES files to ensure exact photometric value.



25°



40°



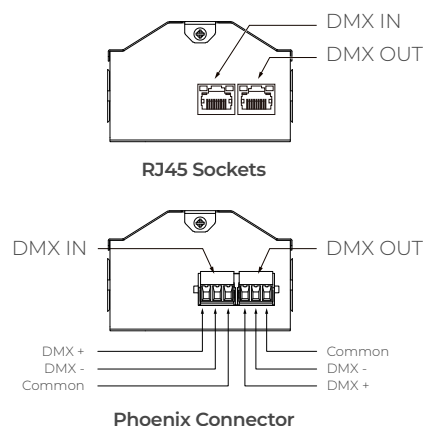
55°

DMX REQUIREMENTS

The REV Flex 2 fixture with DMX is a **single channel dmx** unit. When placing an order, please indicate DMX address. (The DMX address will be listed on the back of the fixture). Do not connect more than 32 fixtures per DMX daisy chain.

The fixture can be connected with RJ45 Sockets or Phoenix Connector. DMX cables **are not** included; please refer to compatible DMX cabling list for more information. The final fixture on each daisy chain should be terminated by the use of a DMX terminator purchased from a 3rd party or from Meteor.

| CONNECTION | RJ45 (CAT5e) |
|------------|-----------------------------------|
| Common | WHITE/BROWN(PIN7) & BROWN (PIN 8) |
| Signal - | ORANGE (PIN 2) |
| Signal + | WHITE/ORANGE (PIN 1) |
| Spare | - |
| Spare | - |



COMPATIBLE DMX CABLING LIST

DMX uses a cable consisting of two twisted pairs plus a shield to carry data. The cable must be specifically impedance matched for the digital DMX signal, meaning that microphone cable or other non-rated cable **must not be used to carry DMX**. Network cable (Cat5, 5e or 6 cable) may be used to carry DMX in an installation; however special consideration must be given to shielding and termination. Under no circumstances should solid core cable like Cat5 be terminated into a screw down connector.

Meteor recommends the use of Belden 9729 or Belden 9841 for DMX installation. Belden 9729/9841 is a shielded twisted pair cable, which allows for a spare pair for 'out and back' type terminations if needed.

TRIM TYPES



Round Trim



Round Flangeless Trim

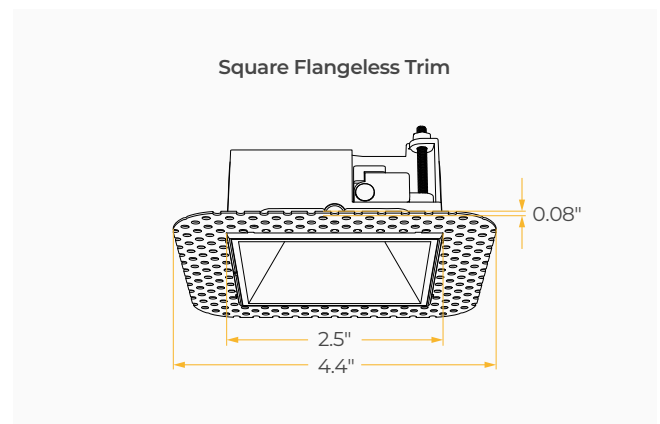
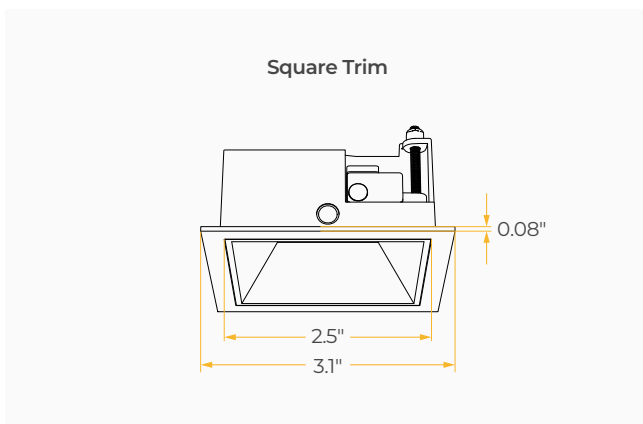
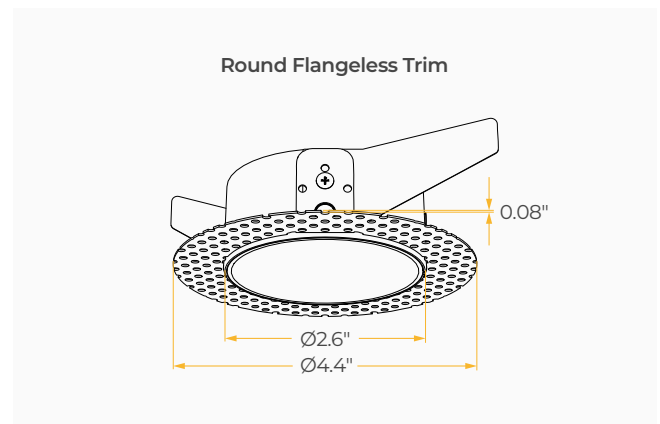
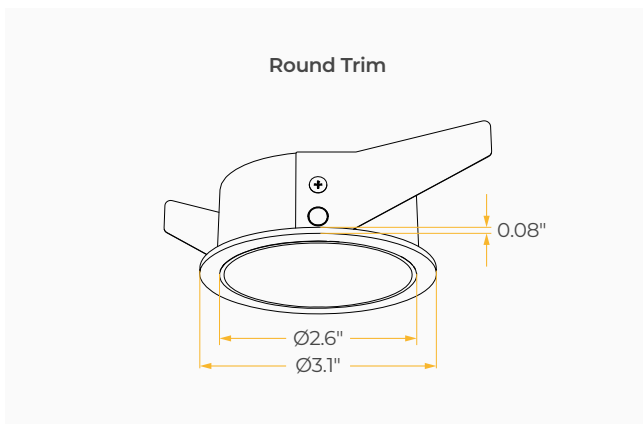
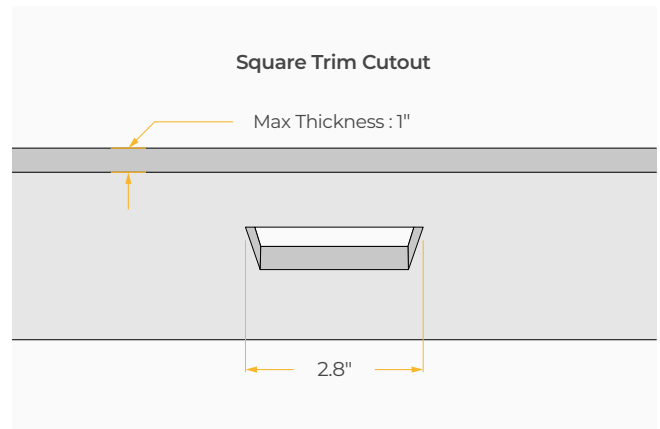
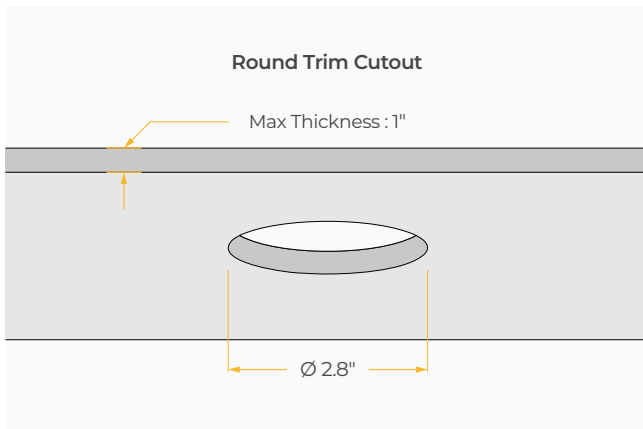


Square Trim



Square Flangeless Trim

DIMENSIONS



DIMENSIONS

