

## IMPORTANT SAFETY INFORMATION

READ AND FOLLOW ALL SAFETY INSTRUCTIONS

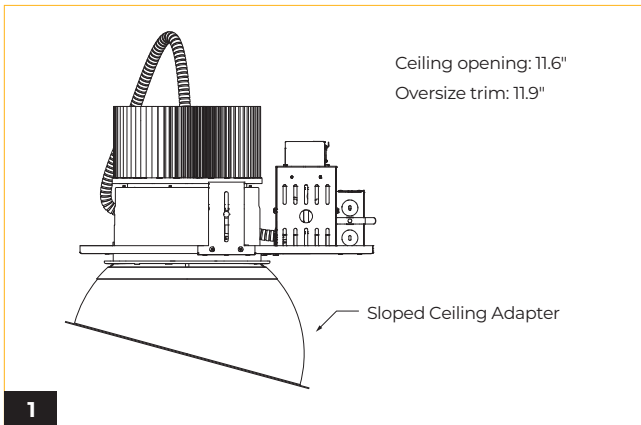
---

FOR FIELD ASSISTANCE PLEASE CALL  
+1-213-255-2060 #4

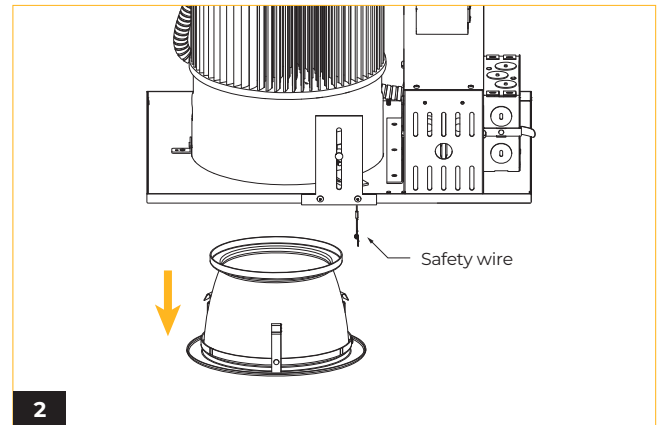
---

- Before wiring to power supply and during servicing or relamping, turn off power at fuse or circuit breaker.
- All servicing or relamping must be performed by qualified service personnel.
- Product must be grounded to avoid potential electric shock or other potential hazard.
- Product must be installed at locations and heights, in a manner consistent with its intended use, and in compliance with electrical code and local codes.

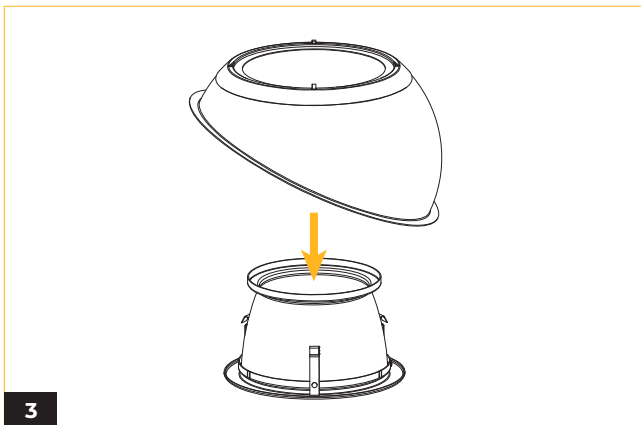
SAVE THESE INSTRUCTIONS FOR FUTURE REFERENCE



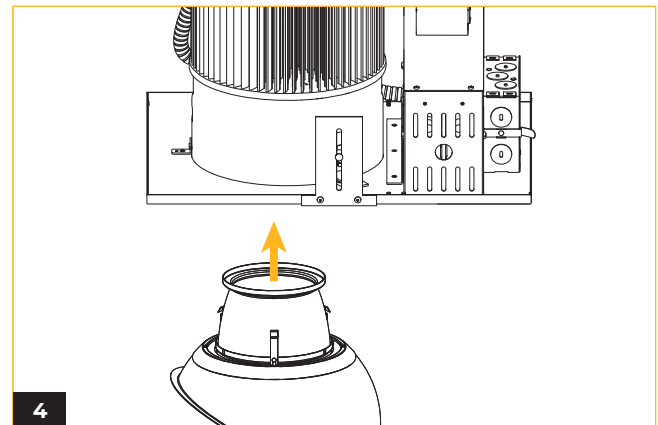
1 Cut 11.6" opening in ceiling for sloped ceiling adapter (same center as fixture frame opening).



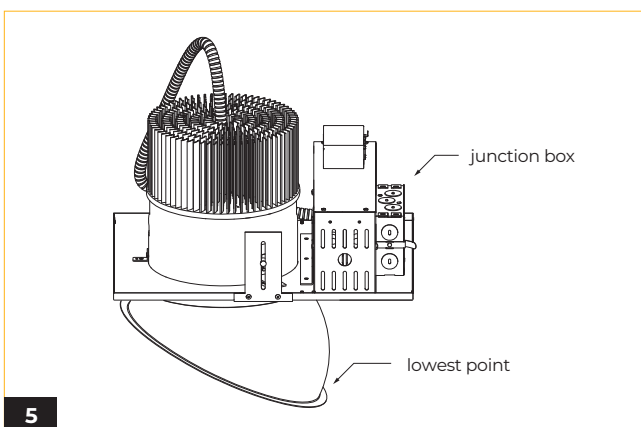
2 Detach trim/reflector and safety wire from fixture.



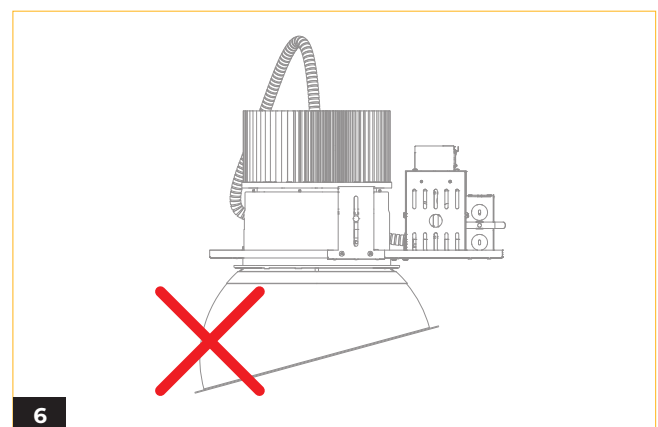
3 Attach the sloped ceiling adapter over the trim and reflector.



4 Secure the safety wire and push the trim and reflector back into the fixture.



5 Align the fixture frame correctly on the slope ceiling adapter such that the junction box side is pointing towards the side where the slope is at the lowest point.



6 **Do not** install the slope ceiling adapter in the incorrect orientation.