

REV 6

SPECIFICATION SHEET
RETROFIT

QUIET CEILING DESIGN HIGH LUMEN RECESSED DOWNLIGHT

Housing

Aperture : Ø6.3" | Oversize Trim : 8" | Maximum Ceiling Thickness : 2"
Opening of Mounting Frame : 6.35" to 7" | Height : 8" | Weight : 11.02 lbs

Material

Housing : Extruded Aluminum
Reflector : Flow Forming Aluminum

Power Input

40W, 60W, 80W, 100W | 120V, 277V

Lumen Output

3,990 lm (40W), 6,490 lm (60W), 8,040 lm (80W), 10,450 lm (100W)

Dimming

Standard 0-10V : Dims to 10%
Superior 0-10V : Dims to 1%
DMX : High resolution dims to 0.1%
TRC: Linear line-voltage phase control, dims to 1%
LDE1 : Hi-Lume 1% EcoSystem LED Driver
DALI : Dims to 10%

Color Quality

CRI 75, CRI 85, CRI 93

Rated Life

> 60,000 Hours (L70)

Finish



Black



White

Color Temperature



2700K



3000K



3500K



4000K



5000K

Optics



40°



60°



Wide

Warranty

5 Year limited warranty

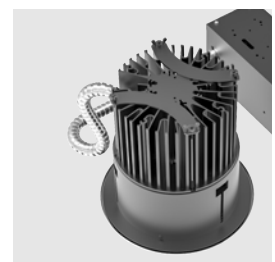
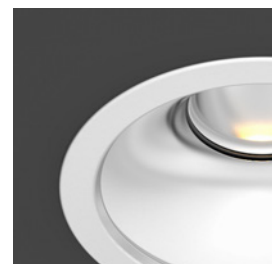
Listing



Precision Engineered For High Performance.

The REV series are a revolutionary range of 4, 6 and 8-inch aperture recessed downlights that feature a deep, double optical reflector design with high efficacy performance.

All downlights feature Colorflip™ Warm Dim, Tunable White and Archi-Color™ W+RGB technology for a truly versatile range of applications, and are available in new construction and retrofit configurations.



METEOR

meteor-lighting.com

SPECIFICATION

PROJECT NAME

DATE

CATALOG #

QUANTITY

RS6R	MODEL	REV 6 RETROFIT		
	WATTAGE	40 40W 100 100W	60 60W	80 80W
	CCT / CRI	278 2700K / CRI 85 309 3000K / CRI 93 408 4000K / CRI 85	279 2700K / CRI 93 358 3500K / CRI 85 507 5000K / CRI 75	308 3000K / CRI 85 359 3500K / CRI 93
	VOLTAGE	120 120V	277 277V	
	DIMMING	NOD Non-Dimming DMX DMX dims to 0.1% (XLR Sockets) LDEI Hi-Lume 1% EcoSystem LED Driver with Soft-on, Fade-to-Black	STV Standard 0-10V dims to 10% DMX(RJ45) DMX dims to 0.1% (RJ45 Sockets) DALI² DALI dims to 10%	SPV Superior 0-10V dims to 1% TRC¹ Linear line-voltage phase control, dims to 1%
	BEAM ANGLE	40 40°	60 60°	WD³ Wide
	FINISH*	BLK Black	WHT White	SSR⁴ Semi-Specular Reflector
	ACCESSORIES	SPD⁵ Surge Protector EMP Remote Emergency Pack NXB⁸ NX Radio Module Black	DF⁶ Diffuser AWB⁷ Lutron Athena Wireless Module Black NXW⁸ NX Radio Module White	GR8 Goof Ring 8" to 10" AWW⁷ Lutron Athena Wireless Module White

¹ Option is only compatible with 120V

² Option not available for 100W

³ Please factor in change in lumen output with WD -20%

⁴ Option is not compatible with WD, TRC

⁵ Surge protector for up to 10KV. Applicable for unstable mains or facilities using high power machineries

⁶ Please factor in change in lumen output with Diffuser (-20% with WD; -12% with other degrees)

⁷ Option is only compatible with STV, SPV, DALI

⁸ Option is only compatible with STV, SPV

* Finish indicates trim only, with standard matte silver reflector

TECHNICAL DETAILS

Electrical

- 3,990 lm (40W)
- 6,490 lm (60W)
- 8,040 lm (80W)
- 10,450 lm (100W)
- Power Input: 120V or 277V
- Operating Temperature: -20°F~112°F
- Surge Protection: Built-in is 4KV
- Power Factor Greater than 0.9

LED Features

- Color Temperature : 2700K, 3000K, 3500K, 4000K, 5000K
- CRI 75, CRI 85, CRI 93
- Long lasting LED luminaire tested under TM21 lumen maintenance L70 @ 60,000 Hrs

Optics

- Flow Forming Aluminum Reflector
- Beam Angle : 40°, 60°, WD (With diffuser)

Advanced Dimming

- Proprietary VX Driver™ is incorporated to all dimming options for video flicker-free lighting
- Standard 0-10V : Dims to 10%
- Superior 0-10V : Dims to 1%
- DMX : High resolution dims to 0.1% (Supports ANSI E1.20 RDM protocol)
- TRC : Linear line-voltage phase control, dims to 1% (120V only)
- LDE1 : Hi-Lume 1% EcoSystem LED Driver with Soft-on, Fade-to-Black
- DALI : dims to 10%

Retrofit Housing

- Aperture : Ø6.3"
- Height : 8"
- Weight : 11.02 lbs
- Material : Extruded Aluminum
- Non-IC Rated, insulation must be kept >1ft from housing
- Oversize Trim : 8"
- Opening of Mounting Frame : 6.35" to 7.0" Max
- Maximum Ceiling Thickness : 2"
- Tool-less top access allows service from above and below
- Light engine, optics, and driver(s) accessible from below ceiling
- Goof Ring 8" : Aluminum, standard white finish; O. D. 10"; other size and finish available, please inquire

Warranty

- 5-year limited warranty

Listing

- ETL Damp Location Listed
- FCC
- UKCA

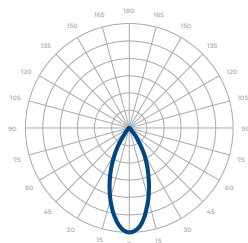
PERFORMANCE SUMMARY*

STD (Standard)						Current Consumption		
CCT/WATTAGE	2700K	3000K	3500K	4000K	5000K	WATTAGE / VOLT	120V	277V
40W	3,470lm	3,640lm	3,710lm	3,895lm	3,990lm	40W	0.37A	0.16A
60W	5,500lm	5,780lm	5,890lm	6,180lm	6,490lm	60W	0.55A	0.24A
80W	6,725lm	7,195lm	7,620lm	7,845lm	8,040lm	80W	0.73A	0.32A
100W	8,210lm	8,900lm	9,130lm	9,250lm	10,450lm	100W	0.92A	0.40A

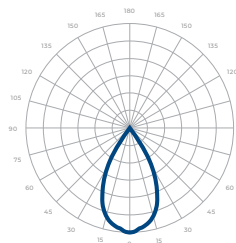
* Beam Angle: 40° Tolerance ±8%

PHOTOMETRICS

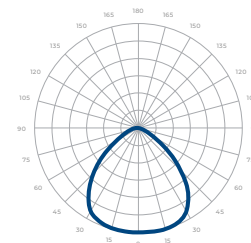
Below is a typical photometric representation of the Rev 6 fixture. Please download IES files to ensure exact photometric value.



40°



60°



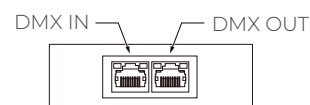
WIDE

DMX REQUIREMENTS

The Rev 6 fixture with DMX is a **single channel dmx** unit. When placing an order, please indicate DMX address. (The DMX address will be listed on the back of the fixture). Do not connect more than 32 fixtures per DMX daisy chain.

The fixture can be connected with RJ45 or XLR sockets. DMX cables **are not** included; please refer to compatible DMX cabling list for more information. The final fixture on each daisy chain should be terminated by the use of a DMX terminator purchased from a 3rd party or from Meteor.

CONNECTION	RJ45 (CAT5e)	5-PIN XLR
Common	WHITE/BROWN(PIN7) & BROWN (PIN 8)	PIN 1
Signal -	ORANGE (PIN 2)	PIN 2
Signal +	WHITE/ORANGE (PIN 1)	PIN 3
Spare	-	PIN 4
Spare	-	PIN 5



RJ45 Sockets



DMX IN DMX OUT

XLR Sockets

COMPATIBLE DMX CABLING LIST

DMX uses a cable consisting of two twisted pairs plus a shield to carry data. The cable must be specifically impedance matched for the digital DMX signal, meaning that microphone cable or other non-rated cable **must not be used to carry DMX**. Network cable (Cat5, 5e or 6 cable) may be used to carry DMX in an installation; however special consideration must be given to shielding and termination. Under no circumstances should solid core cable like Cat5 be terminated into a screw down connector.

Meteor recommends the use of Belden 9729 or Belden 9841 for DMX installation. Belden 9729/9841 is a two pair cable, which allows for a spare pair for 'out and back' type terminations if needed.

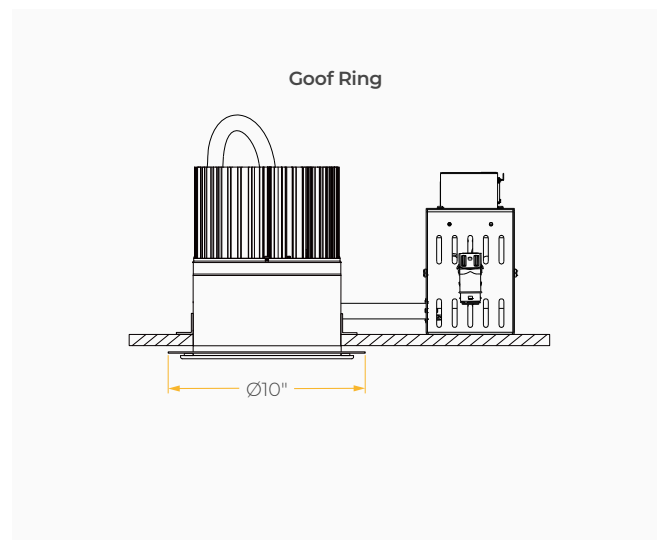
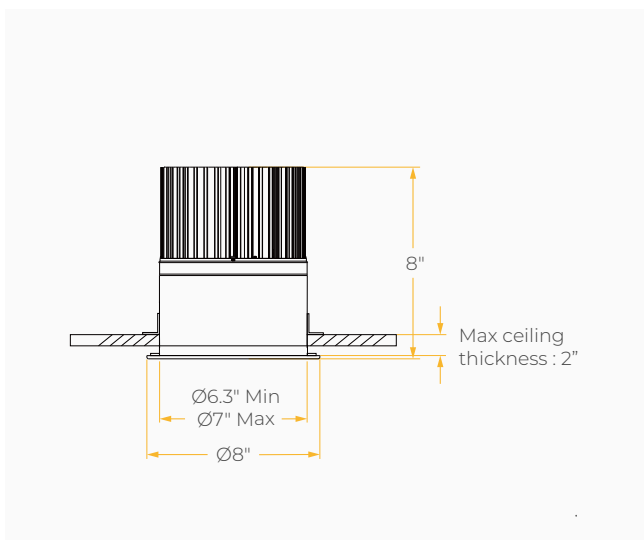
COMPATIBLE TRC DIMMER LIST

PART NO.					
Lutron DVCL-153P	Lutron TGCL-153P	Lutron S-600P	Lutron SELV-300P	Lutron CT-103P	Lutron DV603P
Lutron MAELV600	Lutron FAELV500	Lutron SCL-153P	Lutron MACL-153M	Lutron DVLV600P	Lutron RRD-6CL
Leviton IPI06-1LZ	Leviton VPE06	Leviton 6673-10W	Leviton VPI06-ILT	Leviton 6161	Leviton LGCL-153PL
Leviton IPL06	Cooper DLC03P-W	Cooper SLC03P	Cooper DAL06P	Cooper AAL06A-C2	

COMPATIBLE LDE1 DIMMER LIST

LUTRON PART NO.						
RMJ-ECO32-DV-B	FCJ/FCJS-ECO	QSN-1ECO-S	QSN-2ECO-S	QSGRJ-_E	QSGR-_E	QP2-__ 2C
QP2-__ 4C	QP2-__ 6C	QP2-__ 8C	LQSE-2ECO-D			

DIMENSIONS



POWERBOX WIRING DIAGRAM

