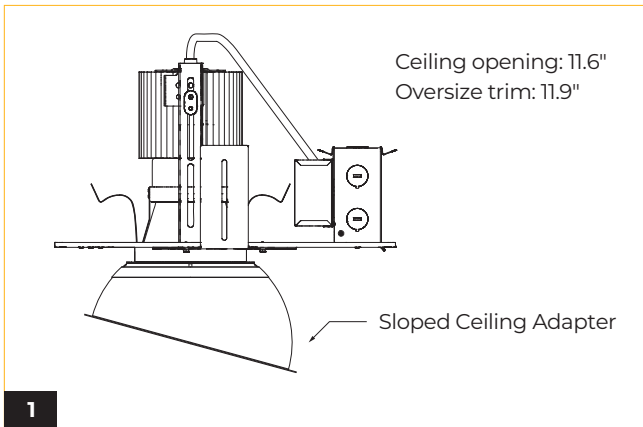


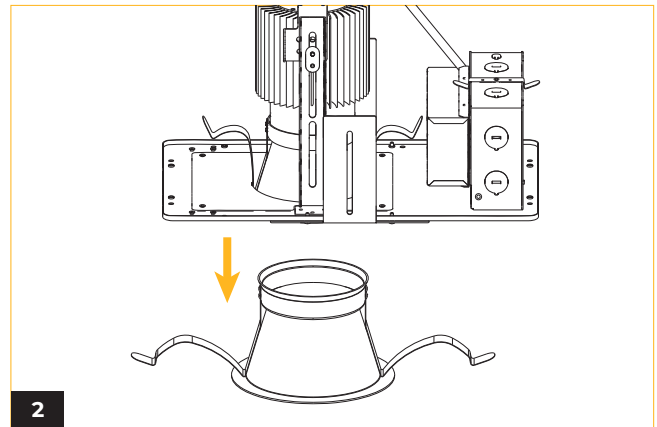
IMPORTANT SAFETY INFORMATION READ AND FOLLOW ALL SAFETY INSTRUCTIONS

- Before wiring to power supply and during servicing or relamping, turn off power at fuse or circuit breaker.
- All servicing or relamping must be performed by qualified service personnel.
- Product must be grounded to avoid potential electric shock or other potential hazard.
- Product must be installed at locations and heights, in a manner consistent with its intended use, and in compliance with Electrical Code and local codes.

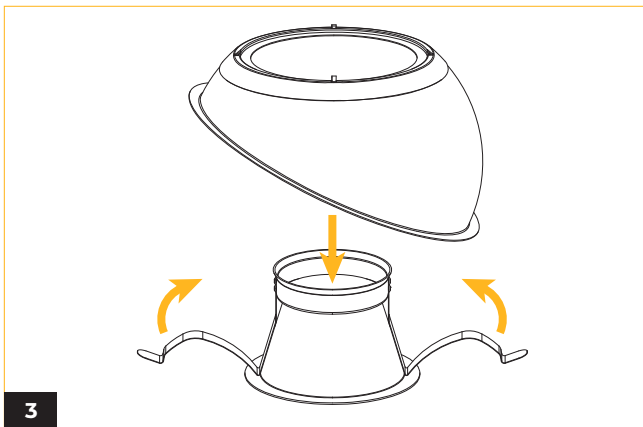
SAVE THESE INSTRUCTIONS FOR FUTURE REFERENCE



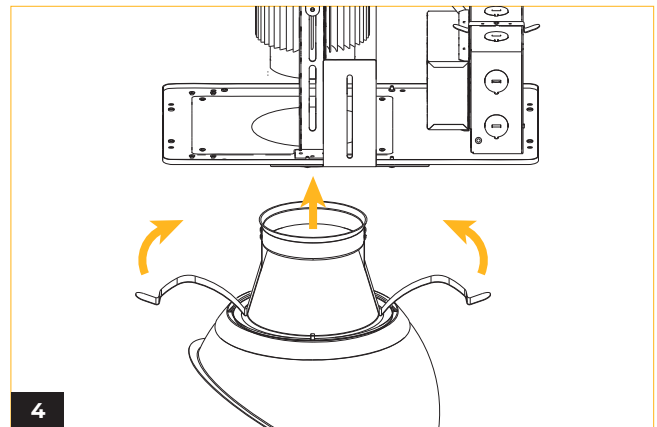
1 Cut 11.6" opening in ceiling for sloped ceiling adapter (same center as fixture frame opening).



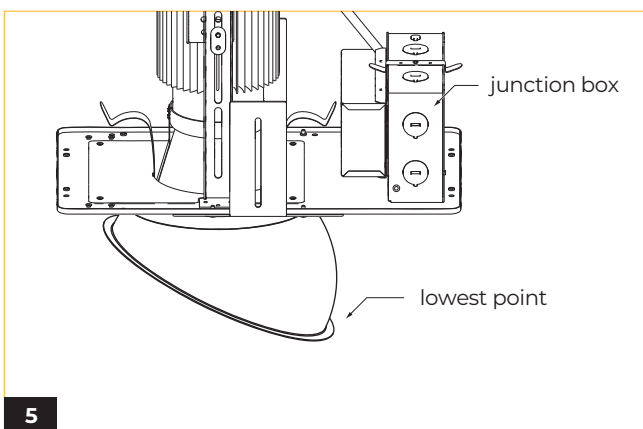
2 Detach trim and reflector from the fixture.



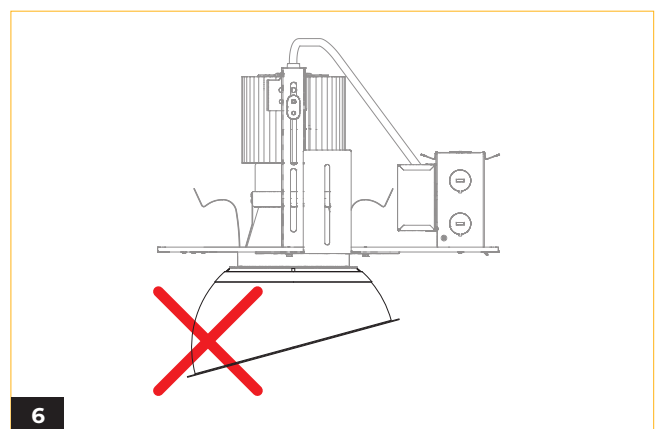
3 Attach the sloped ceiling adapter over the trim and reflector.



4 Push the trim and reflector back into the fixture by claspings the two fasteners on either side.



5 Align the fixture frame correctly on the slope ceiling adapter such that the junction box side is pointing towards the side where the slope is at the lowest point.



6 Do not install the slope ceiling adapter in the incorrect orientation.