

REV 4

SPECIFICATION SHEET
RETROFIT - WARM DIM

QUIET CEILING DESIGN HIGH LUMEN RECESSED DOWNLIGHT

Housing

Aperture : Ø4.3" | Oversize Trim : 5.3" | Maximum Ceiling Thickness : 2"
Opening of Mounting Frame : 4.7" to 5.1" | Height : 8" | Weight : 7 lbs

Material

Housing : Extruded Aluminum
Reflector : Flow Forming Aluminum

Power Input

20W, 40W | 120V, 277V

Lumen Output

1,600 lm (20W), 3,050 lm (40W)

Dimming

Superior 0-10V : Dims to 1%
DMX : High resolution dims to 0.1%
DALI : Dims to 10%

Color Quality

CRI 85

Rated Life

> 60,000 Hours (L70)

Finish

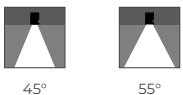


Color Temperature



ColorFlip™ Warm Dim
1900K ↔ 3000K

Optics



Warranty

5 Year limited warranty

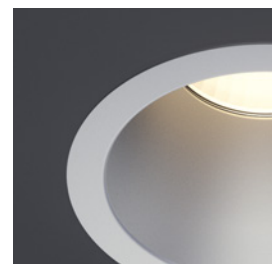
Listing



Precision Engineered For High Performance.

4-inch aperture high lumen recessed downlight utilizing Meteor Lighting's proprietary ColorFlip™ Warm Dim solution, that results in superior efficacy and heat management.

This product is compatible with all existing 0-10V and DMX control systems. Bringing ambient lighting to your spaces.



METEOR

meteor-lighting.com

SPECIFICATION

PROJECT NAME

DATE

CATALOG #

QUANTITY

RS4R	MODEL	REV 4 RETROFIT		
	WATTAGE	20 20W	40 40W	60 60W
WDIM	CCT / CRI	WDIM 1900K - 3000K		
	VOLTAGE	120 120V	277 277V	
	DIMMING	SPV Superior 0-10V dims to 1% DALI DALI dims to 10%	DMX DMX dims to 0.1% (XLR Sockets)	DMX(RJ45) DMX dims to 0.1% (RJ45 Sockets)
	BEAM ANGLE	45 45°	55 55°	
	FINISH*	BLK Black	WHT White	

* Finish indicates Trim only, with standard matte silver reflector.

TECHNICAL DETAILS

Electrical

- 1,600 lm (20W)
- 3,050 lm (40W)
- Power Input: 120V or 277V
- Operating Temperature: -20°F~104°F
- Surge Protection: Built-in is 4KV
- Power Factor Greater than 0.9

LED Features

- Warm Dim™ Tuning White: 1900K ↔ 3000K
- CRI 85
- Long lasting LED luminaire tested under TM21 lumen maintenance L70 @ 60,000 Hrs

Optics

- Flow Forming Aluminum Reflector
- Beam Angle : 45°, 55°

Advanced Dimming

- Proprietary VX Driver™ is incorporated to all dimming options for video flicker-free lighting
- Superior 0-10V : Dims to 1%
- DMX : High resolution dims to 0.1% (Supports ANSI E1.20 RDM protocol)
- DALI : dims to 10%

Retrofit Housing

- Aperture : Ø4.3"
- Height : 8"
- Weight : 7 lbs
- Material : High Pressure Aluminum
- Non-IC Rated, insulation must be kept >1ft from housing
- Oversize Trim : 5.3"
- Opening of Mounting Frame : 4.7" to 5.1" Max
- Maximum Ceiling Thickness : 2"
- Tool-less top access allows service from above and below
- Light engine, optics, and driver(s) accessible from below ceiling

Warranty

- 5-year limited warranty

Listing

- ETL Damp Location Listed
- FCC

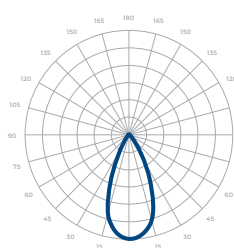
PERFORMANCE SUMMARY*

Warm Dim	1900K ←		→ 3000K			
DMX CCT Signal (%)	7%	20%	40%	60%	80%	100%
0-10V CCT Voltage	0.7	2	4	6	8	10
20W	30lm	145lm	430lm	815lm	1,230lm	1,600lm
40W	60lm	275lm	825lm	1,555lm	2,350lm	3,050lm

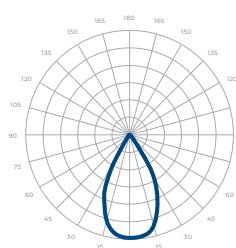
*Beam Angle: 35° *Tolerance ±8%

PHOTOMETRICS

Below is a typical photometric representation of the Rev 4 fixture. Please download IES files to ensure exact photometric value.



45°



55°

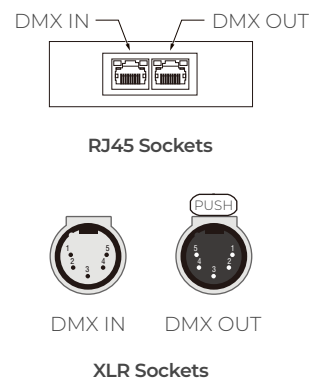
DMX REQUIREMENTS

The Rev 4 LED Warm Dim fixture with DMX is a **single channel dmx** unit.

When placing an order, please indicate DMX address. (The DMX address will be listed on the back of the fixture.)

The LED fixture provides RJ45 socket or XLR socket to connect. (DMX cable **not** included.)

The final fixture should be terminated by the use of a DMX terminator (by others).



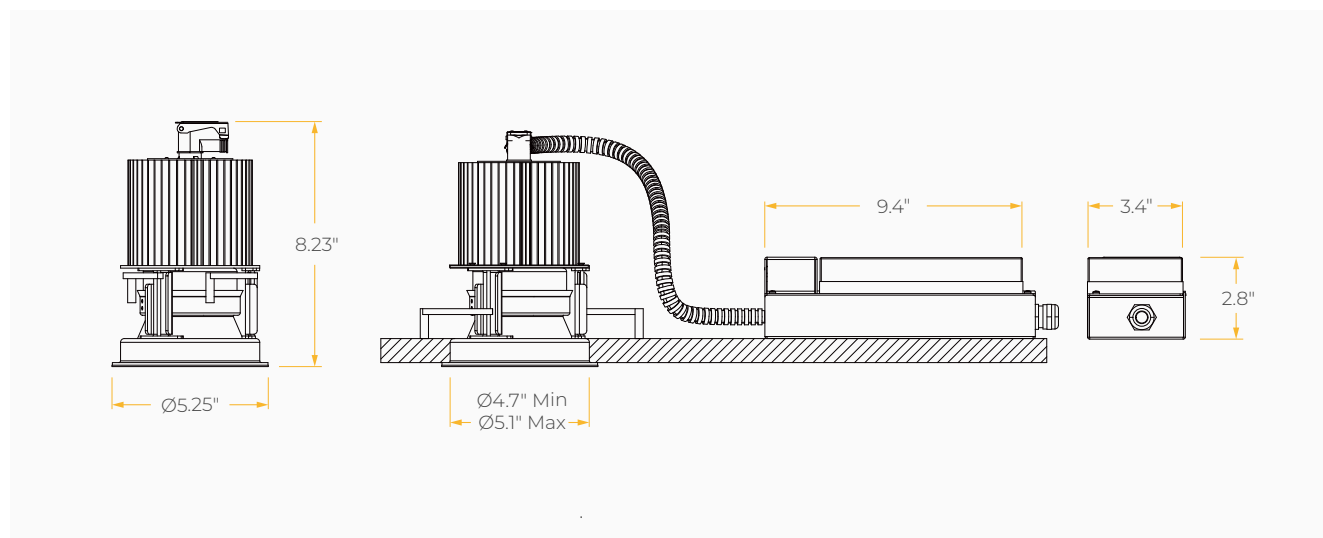
CONNECTION	RJ45 (CAT5e)	5-PIN XLR
Common	WHITE/BROWN(PIN7) & BROWN (PIN 8)	PIN 1
Signal -	ORANGE (PIN 2)	PIN 2
Signal +	WHITE/ORANGE (PIN 1)	PIN 3
Spare	-	PIN 4
Spare	-	PIN 5

COMPATIBLE DMX CABLING LIST

DMX uses a cable consisting of two twisted pairs plus a shield to carry data. The cable must be specifically impedance matched for the digital DMX signal, meaning that microphone cable or other non-rated cable **must not be used to carry DMX**. Network cable (Cat5, 5e or 6 cable) may be used to carry DMX in an installation; however special consideration must be given to shielding and termination. Under no circumstances should solid core cable like Cat5 be terminated into a screw down connector.

Meteor recommends the use of Belden 9729 or Belden 9841 for DMX installation. Belden 9729/9841 is a two pair cable, which allows for a spare pair for 'out and back' type terminations if needed.

DIMENSIONS



DIMENSIONS

