

## **IMPORTANT SAFETY INFORMATION** READ AND FOLLOW ALL SAFETY INSTRUCTIONS

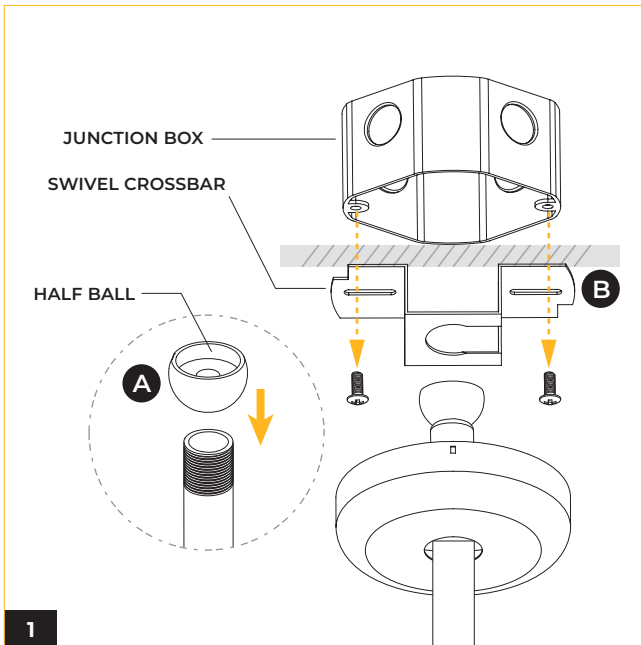
---

**FOR FIELD ASSISTANCE PLEASE CALL  
+1-213-255-2060 #4**

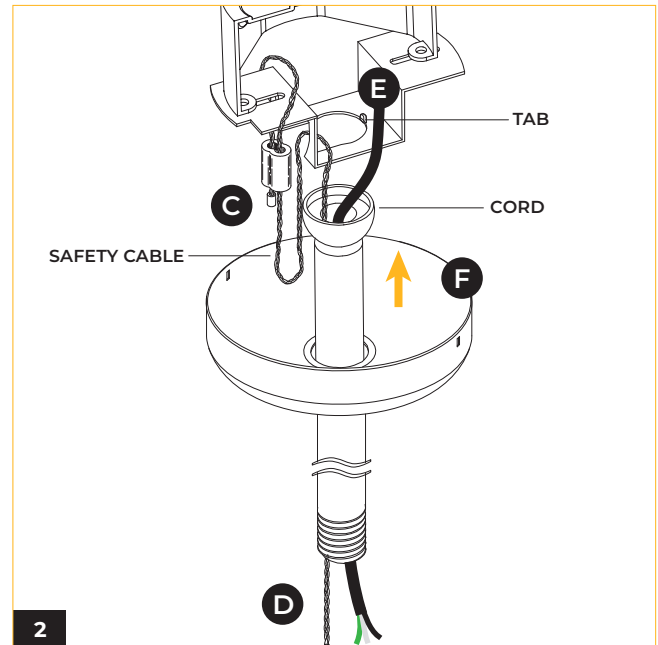
---

- Before wiring to power supply and during servicing or relamping, turn off power at fuse or circuit breaker.
- All servicing or relamping must be performed by qualified service personnel.
- Product must be grounded to avoid potential electric shock or other potential hazard.
- Product must be installed at locations and heights, in a manner consistent with its intended use, and in compliance with electrical code and local codes.

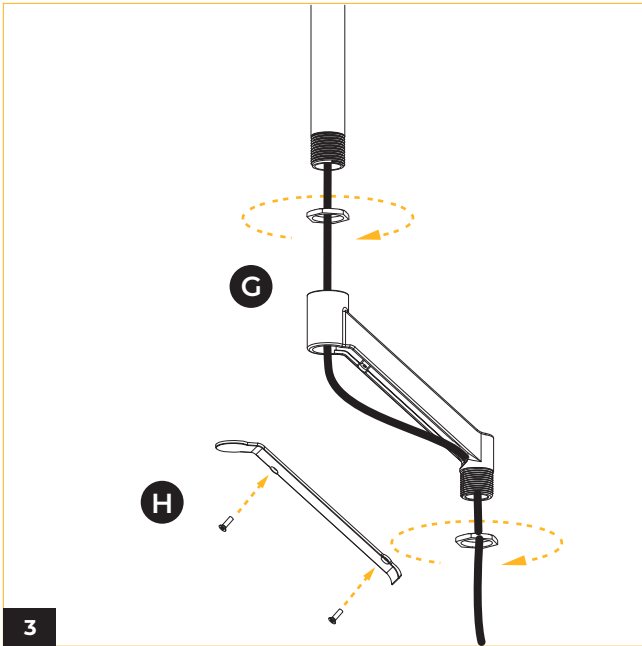
**SAVE THESE INSTRUCTIONS FOR FUTURE REFERENCE**



- (A)** Secure half ball with stem.
- (B)** Attach swivel crossbar to junction box (by others).

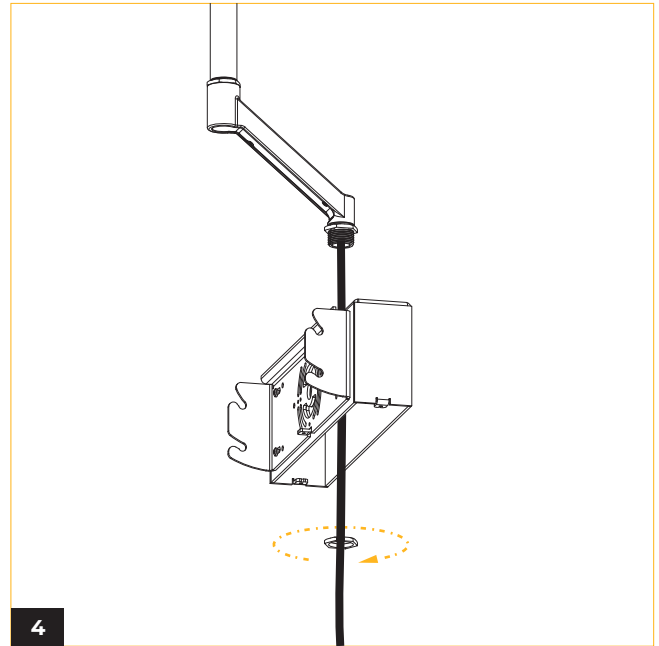


- (C)** Loop and secure the safety cable around swivel crossbar.
- (D)** Feed the safety cable and power cord through the stem and insert the half ball into slot on the swivel crossbar. Align the slot on ball joint with the tab on the swivel crossbar.
- (E)** Make electrical connections in junction box. (Refer to wiring diagram )
- (F)** Install canopy cover by aligning the tabs on crossbar with the slots on the canopy plate.

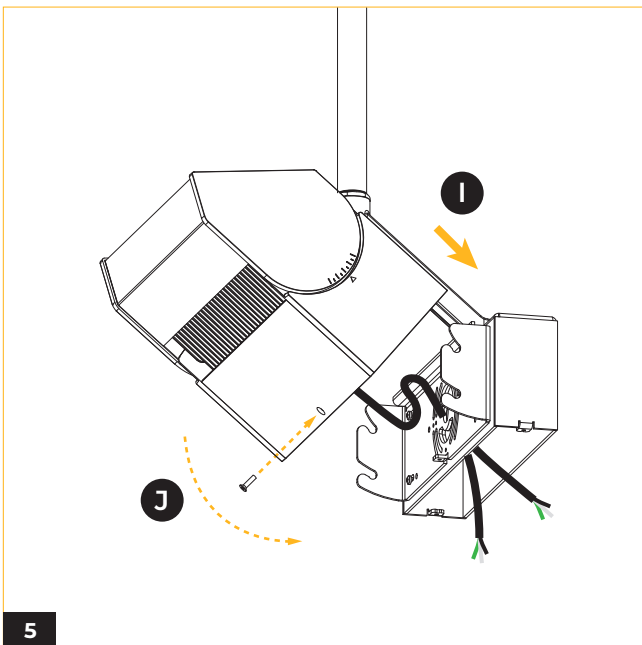


**(G)** Thread AC wires through stem mount bracket before fastening hex nuts on lower stem and stem mount bracket.

**(H)** Cover stem mount bracket plate with the screws indicated.

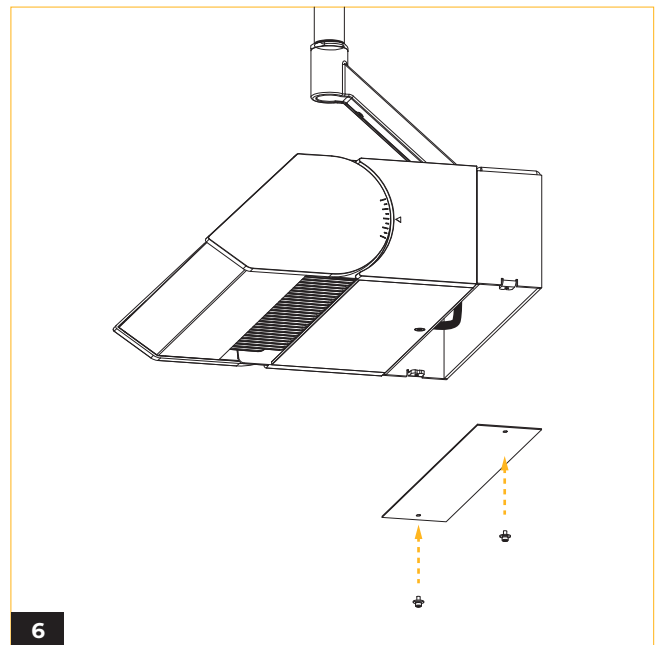


Lock in place the stem mount bracket with luminaire bracket using the hex nut provided.

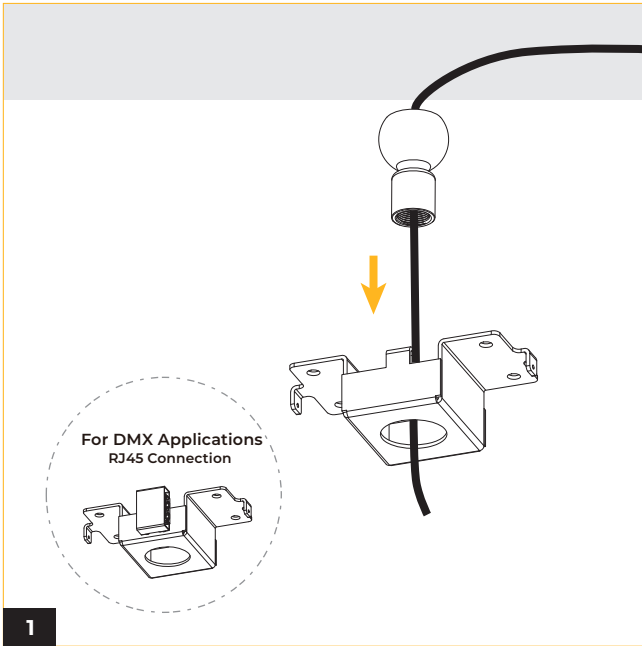


**(I)** Thread luminaire wiring through bracket plate. Slip the luminaire at an angle over the lock-in grooves.

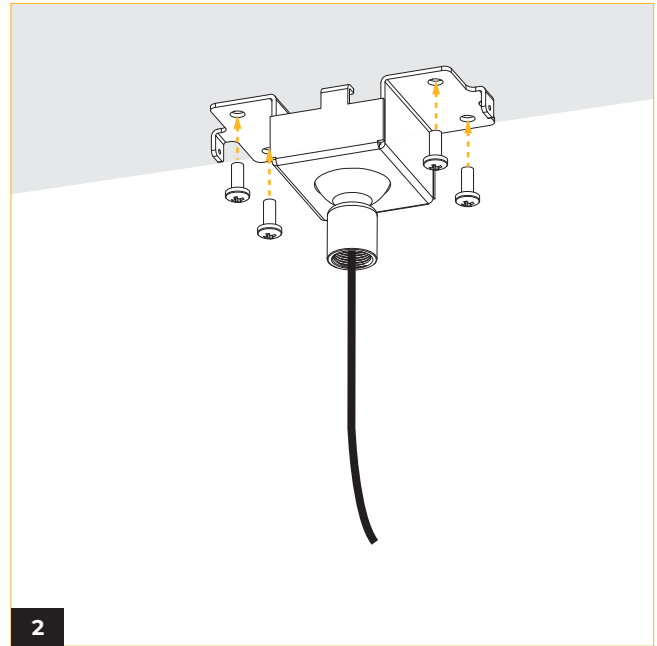
**(J)** Securely fasten it in place.



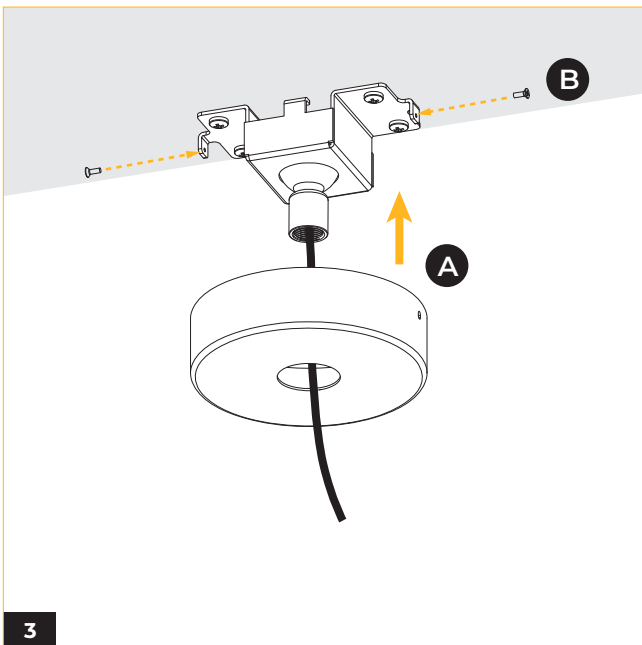
Make electrical connections between AC wiring and luminaire wiring (Refer to wiring diagram for more details). Cover electrical wiring with plate provided.



Thread AC wires through swivel ball and mounting plate.

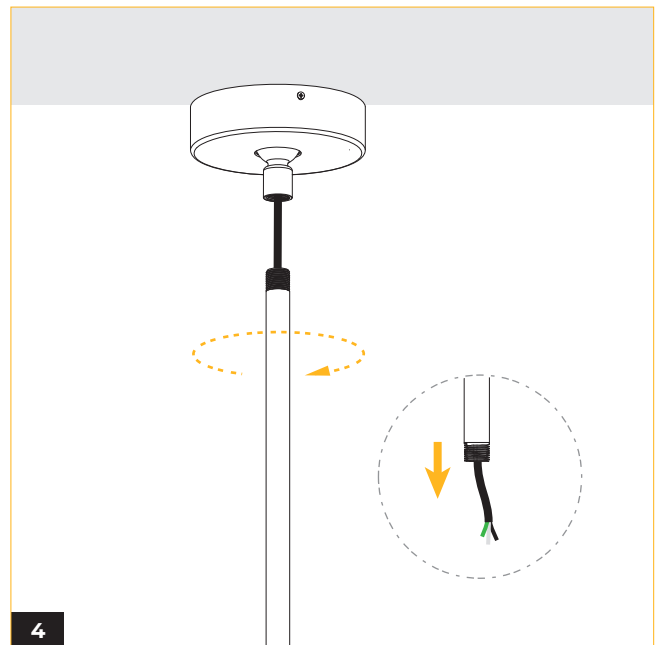


Mount the mounting plate and swivel ball onto flat surface using screws.

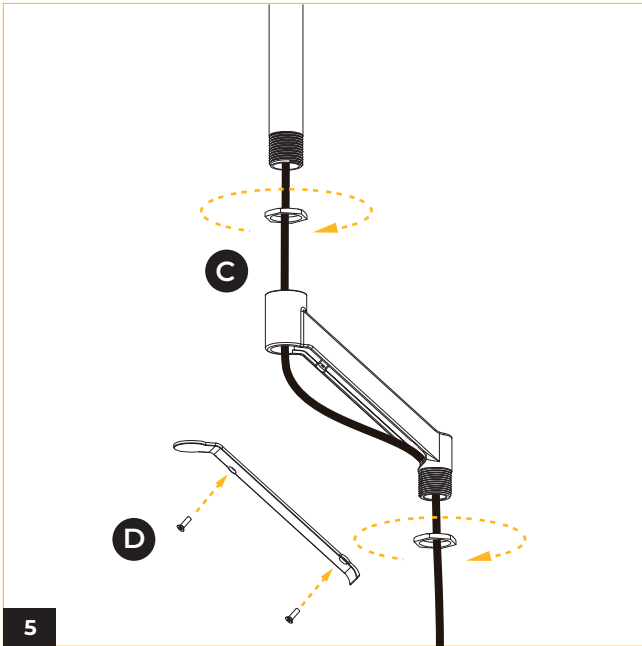


(A) Mount canopy onto mounting plate.

(B) Lock in place with canopy set screws.

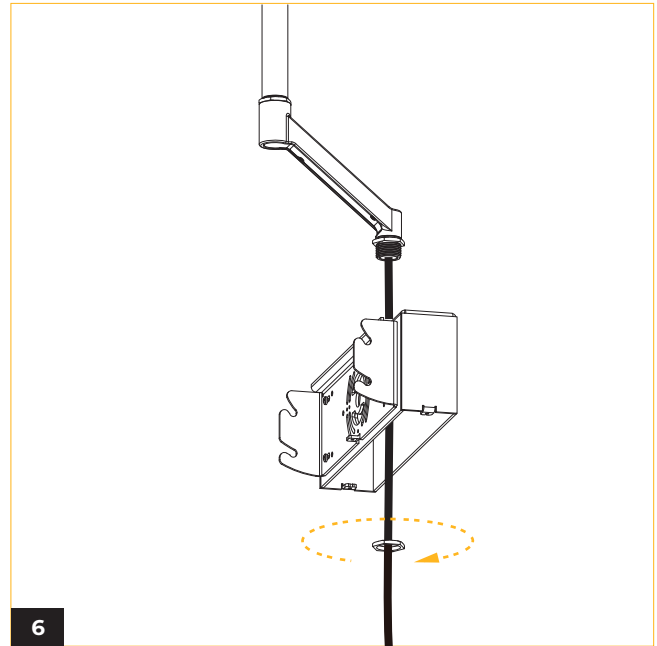


Thread AC wire through stem and fasten to swivel ball.

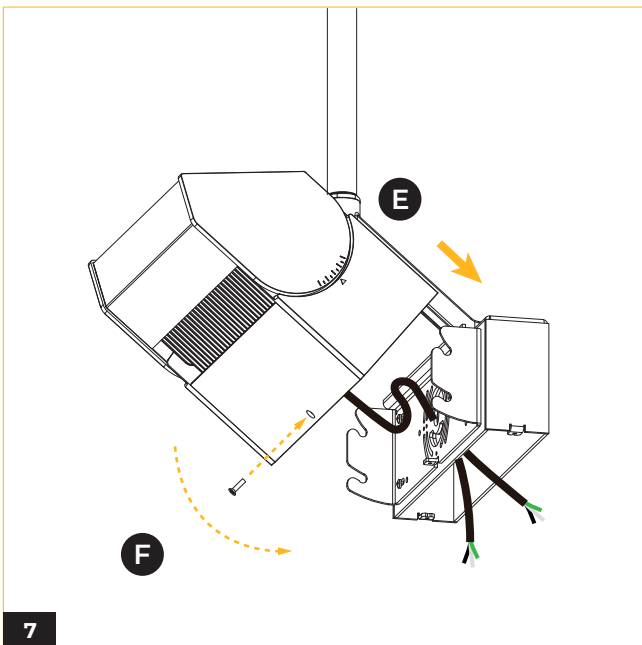


**(C)** Thread AC wires through stem mount bracket before fastening hex nuts on lower stem and stem mount bracket.

**(D)** Cover stem mount bracket plate with the screws indicated.

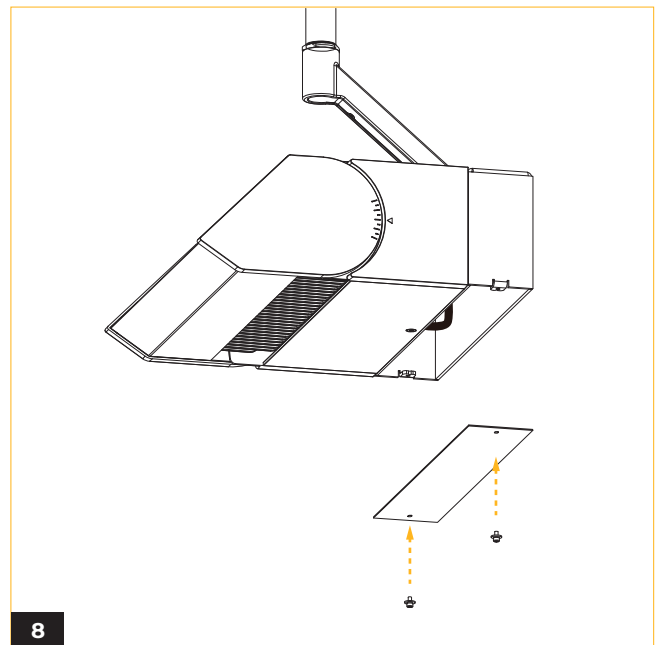


Lock in place the stem mount bracket with luminaire bracket using the hex nut provided.



**(E)** Thread luminaire wiring through bracket plate. Slip the luminaire at an angle over the lock-in grooves.

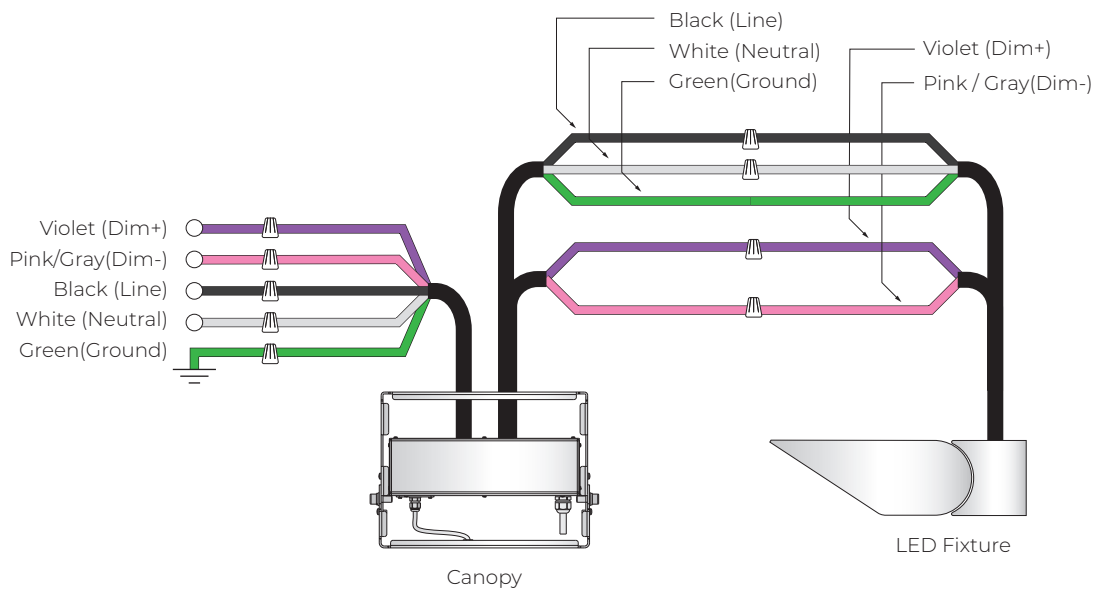
**(F)** Securely fasten it in place.



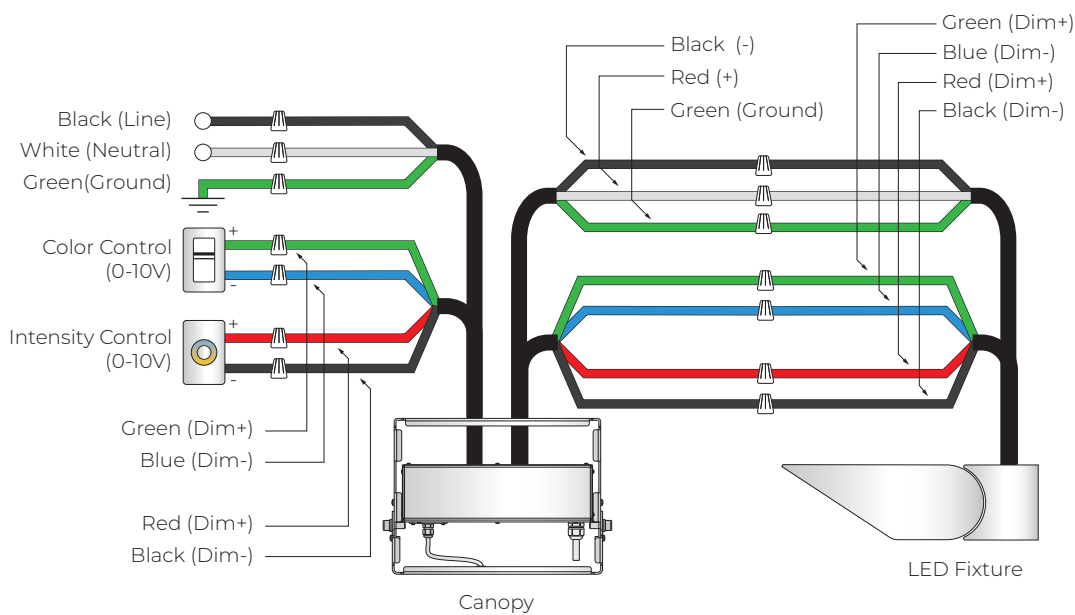
Make electrical connections between AC wiring and luminaire wiring (Refer to wiring diagram for more details). Cover electrical wiring with plate provided.

WIRING DIAGRAM

STV / SPV 0-10V

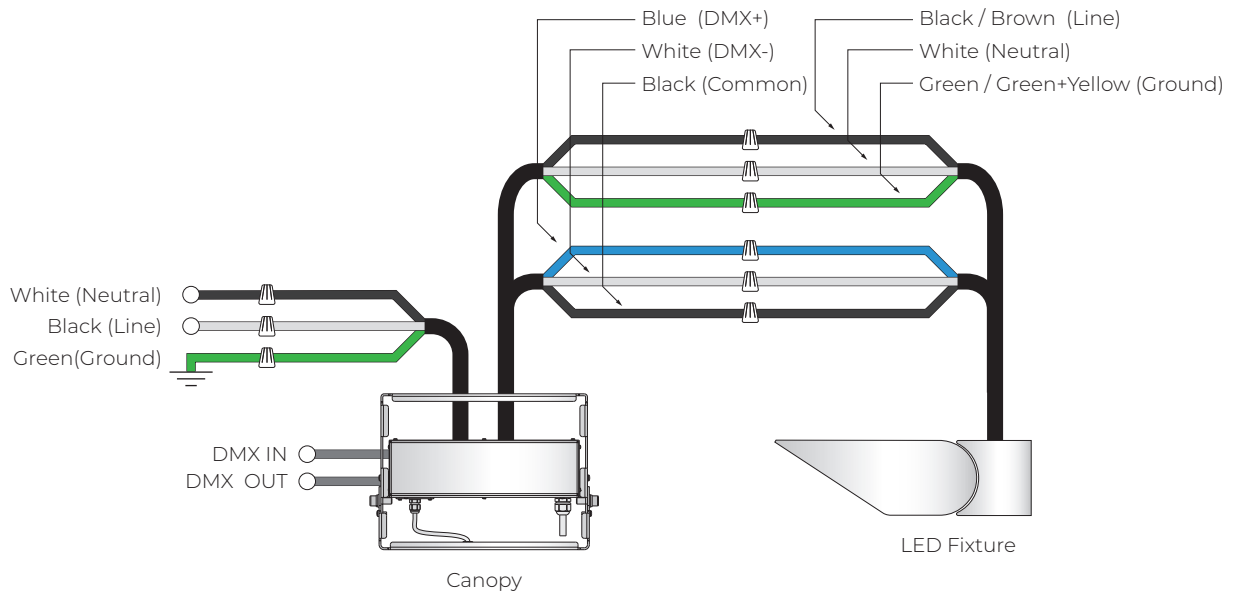


STV 0-10V (Tunable White)



WIRING DIAGRAM

DMX / DMX (Tunable White) / DMX (W+RGB)



## NOTES

---

### Application note : Wiring for DMX/RDM lighting systems

DMX/RDM is a robust and reliable system for lighting control. However, if not implemented correctly, problems can arise such as random flashing of lights, erratic operation and delays in responding to commands. This document explains the best practices in DMX wiring.

#### Important things to consider are:

1. DMX is a three-wire system. Use all three!
2. DMX is based on the EIA-485/RS-485 standard.
3. Always use cable specifically designed for DMX / RS-485. These cables have an impedance of 120Ω and a low capacitance. For instance : Belden 9729.
4. DMX must be terminated with a 120Ω resistor to prevent reflections.
5. A daisy chain topology should be used.
6. After 32 unit loads a repeater/booster should be used. (Important : For tunable white fixtures, After "32" unit loads a repeater/booster should be used.)
7. Keep cabling below 200 meters between the controller and the last driver.
8. It is generally considered good practice to provide separate DMX in and DMX out / DMX Thru connections to your fixture to aid in installation. This can be in the form of pigtailed, RJ-45 connectors or 5-pin XLR connectors.
9. Use twisted pair cables with an impedance of 120Ω and a low capacitance.
10. UTP Cat5 or Cat6 network cable can also be used but have a slightly lower impedance of 100Ω.
11. If shielded cable is used, only connect shield to ground on one side (typically, the controller should have its shield terminal connected to ground).
12. Not following the above recommendations may seem to work at first, but can cause problems. Sometimes after weeks of seemingly normal operation.