

ADVANCED HIGH CEILING
DUO 4 - Mini



Elegant Up and Downlight Luminaire

The DUO is an elegant up/down pendant from Meteor that has a power-cord free design. With dual switching, tunable white and RGB uplight compatibility, this is a contemporary pendant embedded with brilliant technology and versatility.

| | |
|----------|------|
| Quantity | Type |
| Project | Note |

Electrical System

- 2500 lm (30W) Uplight: 15W / Downlight: 15W
- Power Input: Universal (120-277V)
- Operating Temperature: -13°F~104°F
- Surge Protection: 2.5KV
- Power Factor Greater than 0.9
- Remote Emergency Pack: Bodine BSL20B2UEK55C1I1

Housing

- Diameter: 4.8" (122mm)
- Height: 9" (228mm)
- Material: Aluminum
- Weight: 7.5 lbs
- Canopy Height: 2.9

LED Technology

- 2700K, 3000K, 3500K, 4000K
- 85 CRI, 93 CRI
- Beam Angle:
 Down: 35°, 45°, 60°, WD
 Up: 35°, 45°, 60°, WD
- UGR ≤19
- Rated Life > 60,000 Hours (L70)

Mounting

- Power Line Mount 2ft, 4ft, 6ft, 8ft, 10ft with High Lumen Power Suspension (Canopy Height: 2.95")
- Power Line Mount 2ft, 4ft, 6ft, 8ft, 10ft with High Lumen Power Suspension and Remote Power (Canopy Height: 0.84")
- Remote Emergency Pack

Advanced Dimming

(Proprietary VX Driver is incorporated to all dimming options for video flicker-free lighting)

- **Non-Dimming**
- **DMX:** high resolution dims to 0.1% (Supports ANSI E1.20 RDM protocol)
- **Superior 0-10V:** dims to 1%
- **LTE:** Hi-Lume 1% 2-wire LED Driver (120V forward phase only)
- **LDE1:** Hi-Lume 1% EcoSystem LED Driver with Soft-on, Fade-to-Black (UNV only)

Warranty

- 5-year limited warranty

Listing

- ETL Listed



DUO 4 - Mini





How to Specify:

Ordering Example: DUO4M-30-408-U-DMX-6035-B-PL6

4-5 weeks lead time on over 75% of specifications.

| Model | Wattage | CCT / CRI | Voltage | Dimming |
|--------------------------------------------------------------------|---------------------------------------|----------------------------------------------------------------------------------------------------------------------------------------------------------------------|-------------------|----------------------------------------------------------------------------------------------------------------------------------------------------------------------------------------------------------------------------------------------------------------|
| DUO4M | | | UNV | |
| DUO4M DUO4 Mini | 30 Downlight: 15W Uplight: 15W | 278 2700K / CRI85 308 3000K / CRI85 408 4000K / CRI85 279 2700K / CRI93 309 3000K / CRI93 359 3500K / CRI93 | U 120-277V | NOD Non-Dimming SPVS Superior 0-10V dims to 1% LTE Hi-Lume 1% 2-wire LED Driver (120V forward phase only) LDE1 Hi-Lume 1% EcoSystem LED Driver with Soft-on, Fade-to-Black DMXR DMX dims to 0.1% (RJ45 Sockets) |
| NOTE: All dimming options controls Uplight and Downlight together. | | | | |

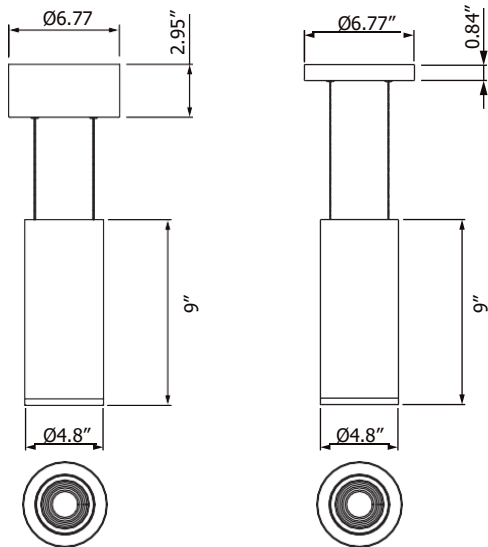
| Beam Angle | | Finish | Mounting | |
|---------------------------------------------------|-----------------|----------------------------------------------------------------------------------------------------------------------------------------------------------------------------------------------|--------------------------------------------------------------------------------------------|----------------------------------------------------------------------------|
| Downlight | Uplight | B Black W White | PL2 (2 or 4 or 6 or 8 or 10) PL2RM (2 or 4 or 6 or 8 or 10) EMP | Power Line Mount Power Line Mount Remote Power Remote Emergency Pack |
| 15 15° | 35 35° | | | |
| 25 25° | 60 60° | | | |
| 35 35° | *WD WIDE | | | |
| 60 60° | | | | |
| *WD WIDE | | B  W  | | |
| *Please factor in-20% lumen output with diffuser. | | | | |

Delivered Lumens*

| CCT \ Wattage | 30W | |
|---------------|----------|------------|
| | UP (15W) | DOWN (15W) |
| 4000K | 1250 lm | 1250 lm |
| 3500K | 1195 lm | 1195 lm |
| 3000K | 1160 lm | 1160 lm |
| 2700K | 1110 lm | 1110 lm |

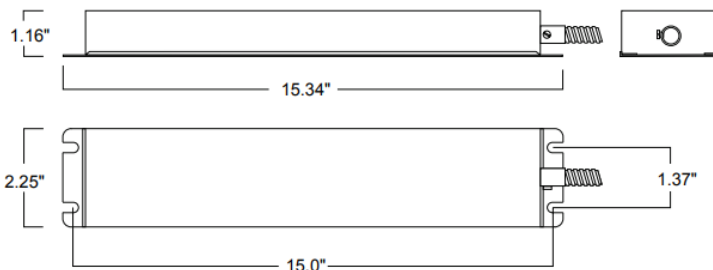
*Tolerance± 8%

Dimensions



With Remote Power
(Remoted length can be 50ft max.)

Remote Emergency Pack



ADVANCED HIGH CEILING
DUO 4 - Mini

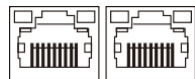


DMX Requirements*

Each DUO 4 Mini DMX unit has TWO CHANNEL per fixture (1 to control uplight, 1 to control downlight). Fixture will be controlled by DMX number controlling intensity. We do not recommend more than 32 fixtures per DMX daisy chain. When placing order, please indicate DMX address (refer to DMX Address example below). DMX address will be listed on the back of each fixture.

| CONNECTION | RJ45 (CAT5e) |
|------------|-----------------------------------|
| Common | WHITE/BROWN(PIN7) & BROWN (PIN 8) |
| Signal - | ORANGE (PIN 2) |
| Signal + | WHITE/ORANGE (PIN 1) |
| Spare | - |
| Spare | - |

RJ45 Sockets



DMX IN DMX OUT

The LED fixture provide RJ45 Socket to connect. (DMX cable NOT included.)
 The final fixture should be terminated by the use of DMX Terminator (by others).

Compatible DMX Cabling List

DMX uses a cable consisting of two twisted pairs plus a shield to carry data. The cable must be specifically impedance matched for the digital DMX signal, meaning that microphone cable or other non-rated cable **must not be used to carry DMX**. Network cable (Cat5, 5e or 6 cable) may be used to carry DMX in an installation; however special consideration must be given to shielding and termination. Under no circumstances should solid core cable like Cat5 be terminated into a screw down connector.

Meteor recommends the use of Belden 9729 for DMX installation. Belden 9729 is a two pair cable, which allows for a spare pair for 'out and back' type terminations if needed. Below is a list of other compatible Belden cables.

Mounting Options

