

## **IMPORTANT SAFETY INFORMATION** READ AND FOLLOW ALL SAFETY INSTRUCTIONS

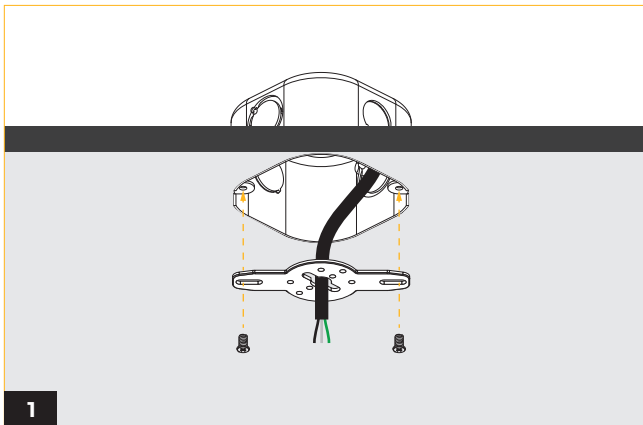
---

**FOR FIELD ASSISTANCE PLEASE CALL  
+1-213-255-2060 #4**

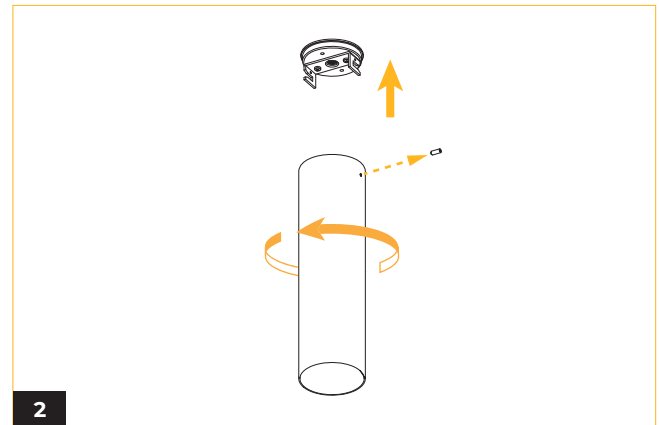
---

- Before wiring to power supply and during servicing or relamping, turn off power at fuse or circuit breaker.
- All servicing or relamping must be performed by qualified service personnel.
- Product must be grounded to avoid potential electric shock or other potential hazard.
- Product must be installed at locations and heights, in a manner consistent with its intended use, and in compliance with electrical code and local codes.

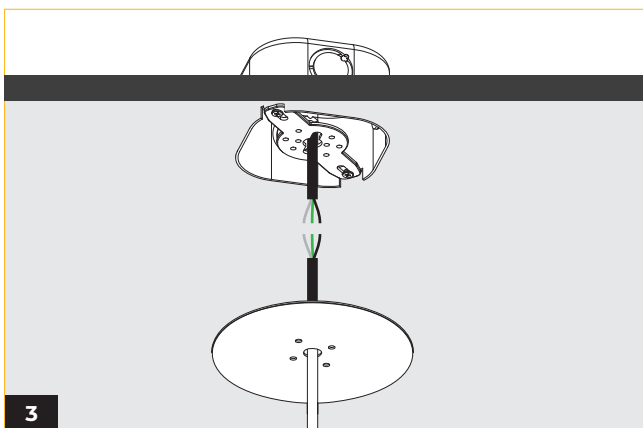
**SAVE THESE INSTRUCTIONS FOR FUTURE REFERENCE**



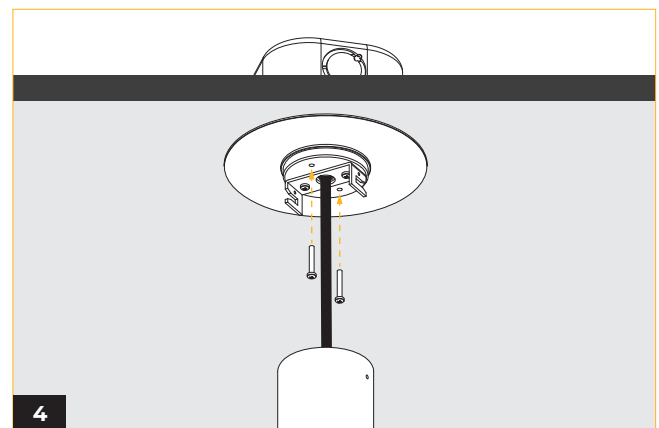
1 Secure the crossbar to junction box (by others), using two phillips screws.



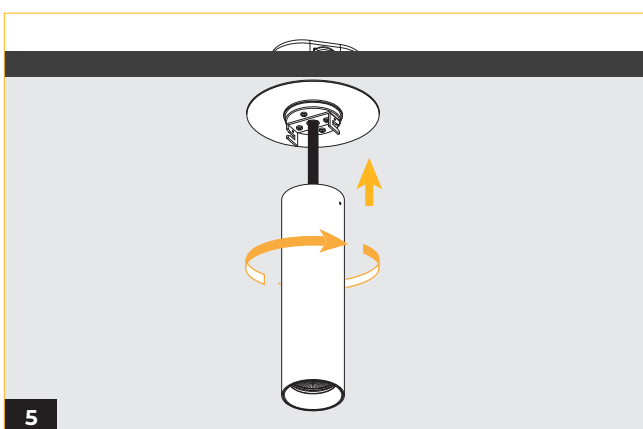
2 Remove top cover of luminaire by removing the hex screw located on the side of the luminaire.



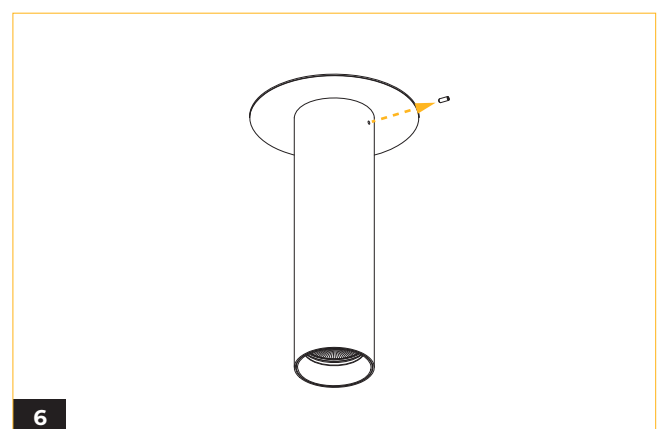
3 Make electrical connections between crossbar and mounting plate. Refer to the wiring diagram for more detailed instructions.



4 Secure top cover of luminaire to canopy plate using 2 phillips screws



5 Secure the luminaire onto the top cover by hoisting level and rotating clockwise.

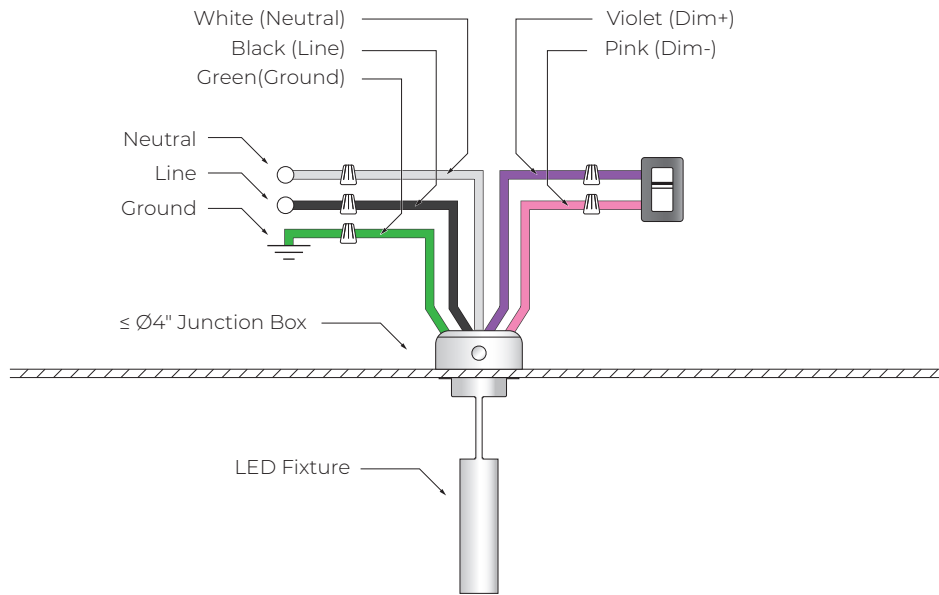


6 Secure fixture with hex screw.

WIRING DIAGRAM

0-10V / Superior 0-10V

\*Not to Scale



TRIAC

\*Not to Scale

