

## **IMPORTANT SAFETY INFORMATION** READ AND FOLLOW ALL SAFETY INSTRUCTIONS

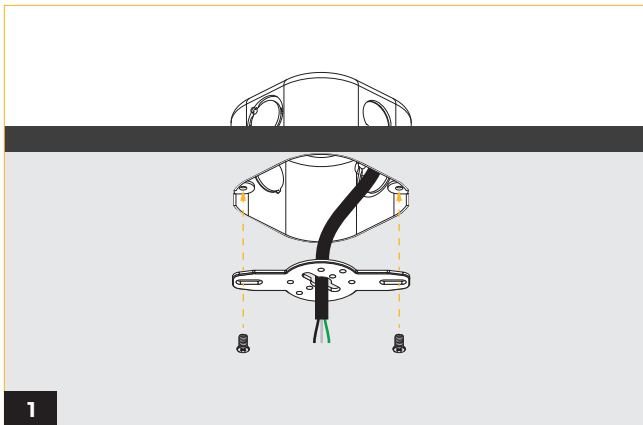
---

**FOR FIELD ASSISTANCE PLEASE CALL  
+1-213-255-2060 #4**

---

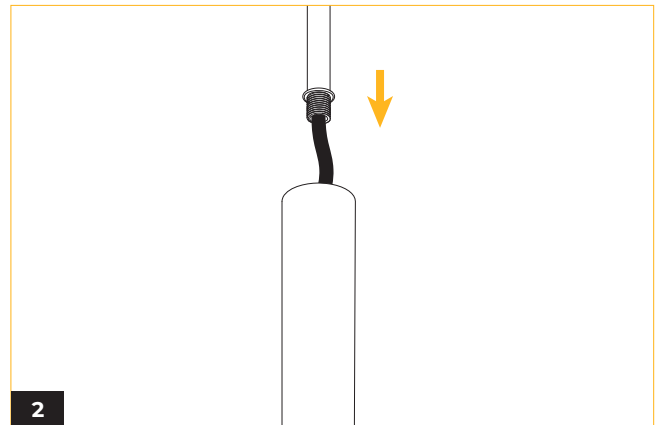
- Before wiring to power supply and during servicing or relamping, turn off power at fuse or circuit breaker.
- All servicing or relamping must be performed by qualified service personnel.
- Product must be grounded to avoid potential electric shock or other potential hazard.
- Product must be installed at locations and heights, in a manner consistent with its intended use, and in compliance with electrical code and local codes.

**SAVE THESE INSTRUCTIONS FOR FUTURE REFERENCE**



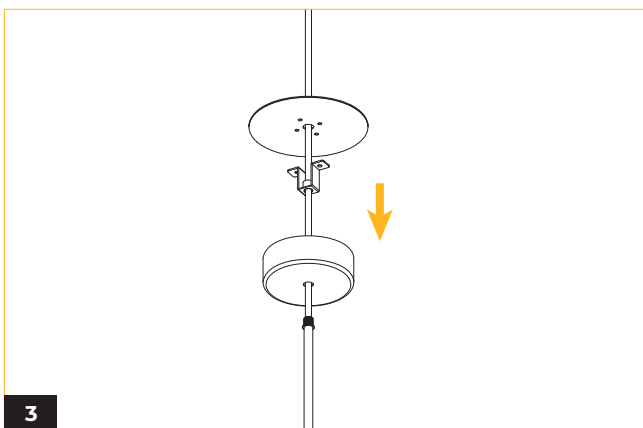
1

Secure the crossbar to junction box (by others), using two phillips screws.



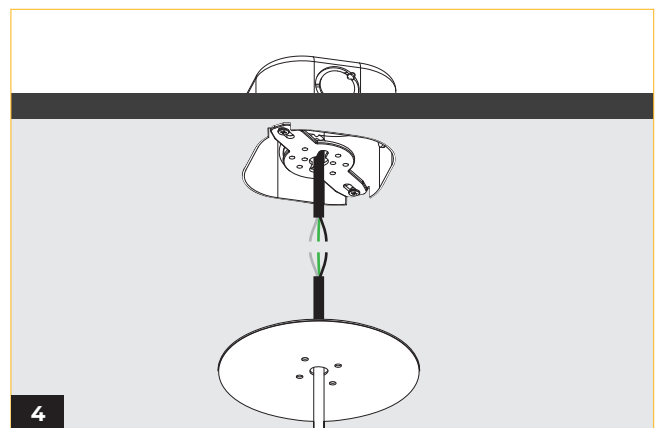
2

Thread wires from luminaire through the stem and secure in place.



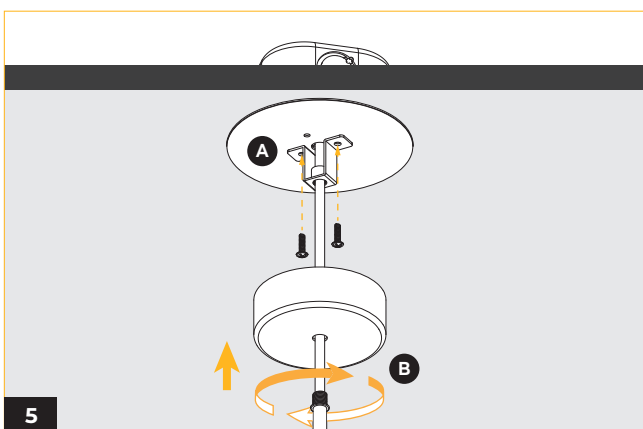
3

Thread wires through canopy mount, bracket and plate.



4

Make electrical connections between crossbar and mounting plate. Refer to the wiring diagram for more detailed instructions.



5

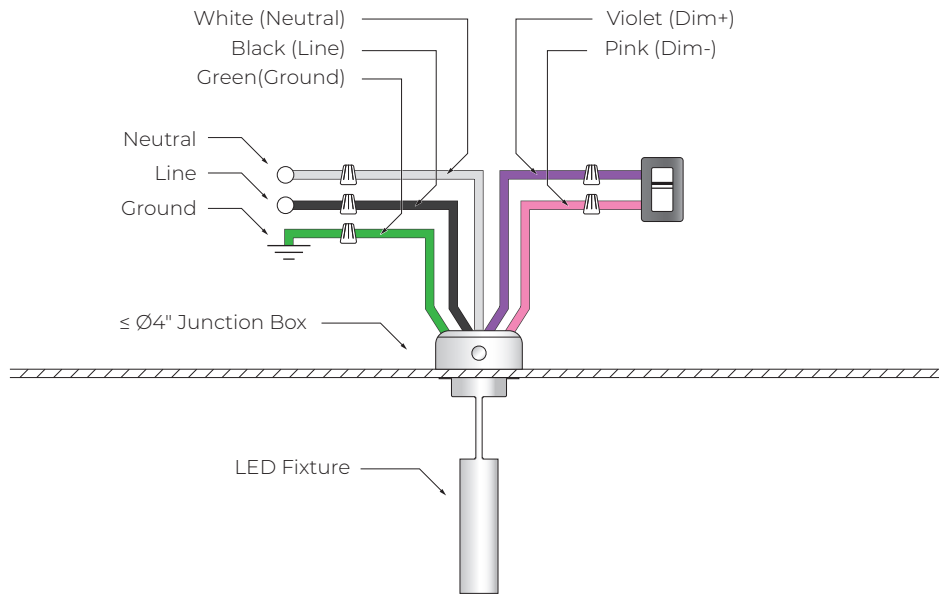
(A) Fasten canopy plate in place using 2 phillips screws.

(B) Cover with cord mount cover.

WIRING DIAGRAM

0-10V / Superior 0-10V

\*Not to Scale



TRIAC

\*Not to Scale

