

DOT 2

SPECIFICATION SHEET
WARM DIM

AESTHETIC MICROCYLINDER SMALL BEYOND COMPARE

Housing

Diameter : Ø2.5" | Height : 8.5" | Weight : 1.9 lbs

Material

Housing: Extruded Aluminum

Lens: TIR Polycarbonate Lens

Power Input

15W | 120-277V

Lumen Output

850 lm (15W)

Dimming

Superior 0-10V: dims to 1%, dims to dark

Color Quality

CRI 93 | UGR ≤ 19

Finish



Black



White

Color Temperature



ColorFlip™ Warm Dim
1800K ↔ 3000K

Optics



45°



60°

Mounting



Stem
Mount



Cord
Mount



Surface
Mount



Stem
Adjustable



Surface
Adjustable

Warranty

5 Year limited warranty

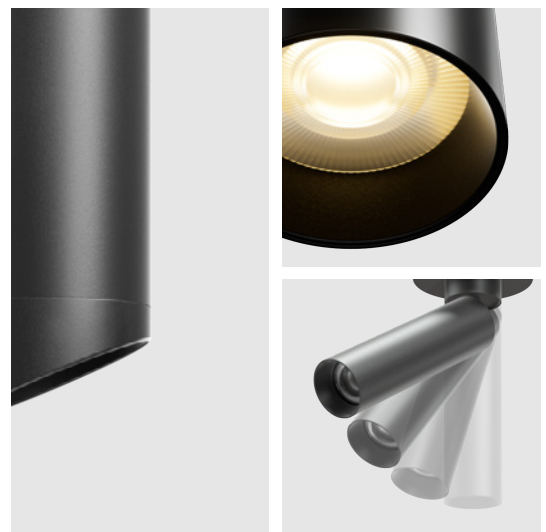
Listing



One Microcylinder Family To Rule Them All

The Dot 2 micro cylinders come with a delivered lumen package of up to 850 lm. Available in black and white finishes, a variety of mounting options, and accessories.

Two years on from the introduction of the Dot series, we have now expanded the line to include even smaller apertures and greater optical, and design accessories. Offering optimal balance between diminutive design and high performance.



METEOR

meteor-lighting.com

SPECIFICATION

PROJECT NAME

DATE

CATALOG #

QUANTITY

DT2	MODEL	DOT 2		
15	WATTAGE	15 15W		
WDIM	CCT / CRI	WDIM 1900K - 2700K		
UNV	VOLTAGE	UNV 120 – 277V		
SPV	DIMMING	SPV Superior 0-10V: dims to 1%, dims to dark		
	BEAM ANGLE	45 45°	60 60°	
	FINISH	BLK Black	WHT White	
	MOUNTING	SUM Surface Mount ST2 Stem Mount 2ft ST4A Stem 4ft Adjustable	SA Surface Adjustable ST4 Stem Mount 4ft	CM10 Cord Mount 10ft ST2A Stem 2ft Adjustable
	ACCESSORIES	NO No Accessories SSB^{3,5} Spot Shield Bezel	HC^{1,5} Hex Cell Louver FCS⁴ Field Cut Stem Adapter Kit	SL^{2,5} Solite Lens

¹ Please factor in change in lumen output of -30%

² Please factor in change in lumen output of -15%

³ Please factor in change in lumen output of -20%, Option is not compatible with SA, ST2A, ST4A

⁴ Option is not compatible with ST2A, ST4A

⁵ Only one accessory can be chosen

TECHNICAL DETAILS

Electrical

- 850 lm (15W)
- Power Input: Universal (120-277V)
- Operating Temperature: 14°F~95°F
- Surge Protection: Built-in is 2.5KV
- Integral Driver on all product configurations

LED Features

- ColorFlip™ Warm Dim 1800K ↔ 3000K
- CRI 93
- UGR ≤ 19

Optics

- TIR Polycarbonate Lens
- Beam Angle: 45°, 60°

Advanced Dimming

- Proprietary VX Driver™ is incorporated to all dimming options for video flicker-free lighting
- Superior 0-10V: dims to 1%, dims to dark

Housing

- Diameter: Ø2.5"
- Height: 8.5"
- Material: Extruded Aluminum
- Weight: 1.9 lbs

Mounting

- Surface Mount
- Surface Adjustable Mount (355° Rotation / 90° Tilt)
- Stem Mount 2ft or 4ft
- Stem Adjustable Mount 2ft or 4ft (355° Rotation / 90° Tilt)
- Cord Mount 10ft

Warranty

- 5-year limited warranty

Listing

- ETL Damp Location Listed
- CE
- FCC
- JA8 Title 24 Compliant

PERFORMANCE SUMMARY*

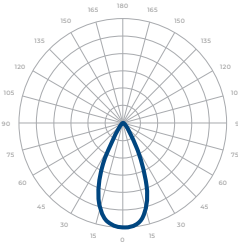
Warm Dim	1800K					3000K
0-10V CCT Voltage	0.7	2	4	6	8	10
15W	45lm	155lm	300lm	470lm	640lm	850lm

*Tolerance ±8%

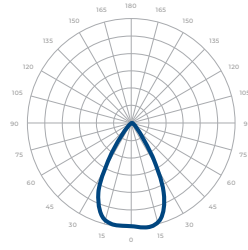
Current Consumption		
WATTAGE / VOLT	120V	277V
15W	0.14A	0.06A

PHOTOMETRICS

Below is a typical photometric representation of the Dot 2 fixture. Please download IES files to ensure exact photometric value.



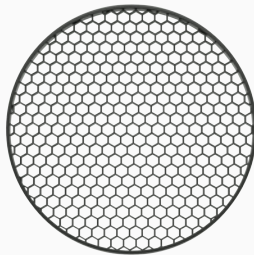
45°



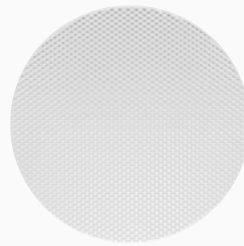
60°

ACCESSORIES

Hex Cell Louver



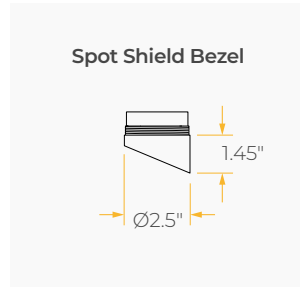
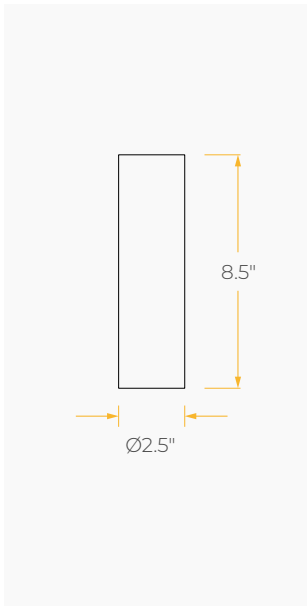
Solite Lens



Spot Shield Bezel

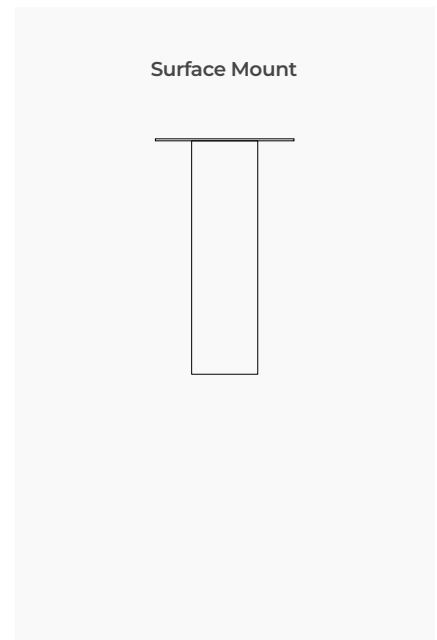
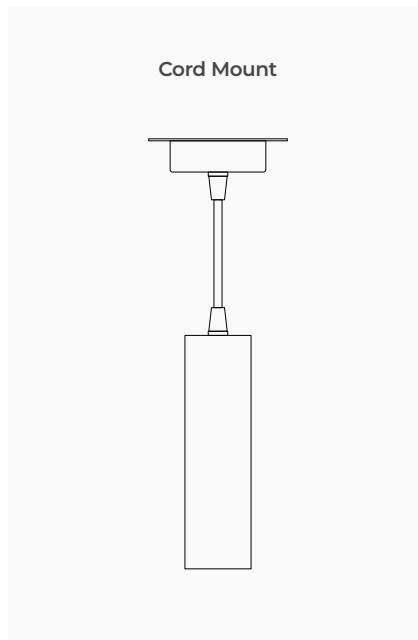
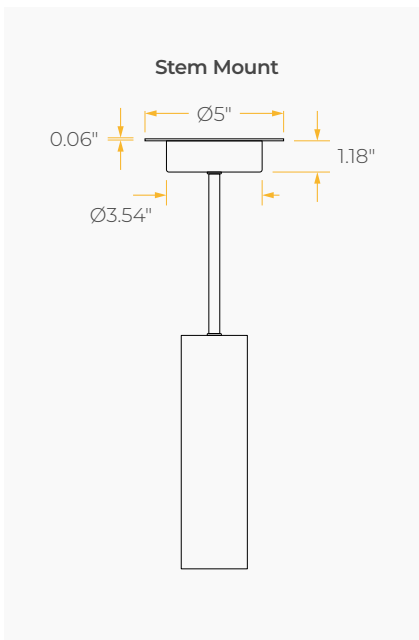


DIMENSIONS



MOUNTING OPTIONS*

*Junction Box not included



MOUNTING OPTIONS*

*Junction Box not included

