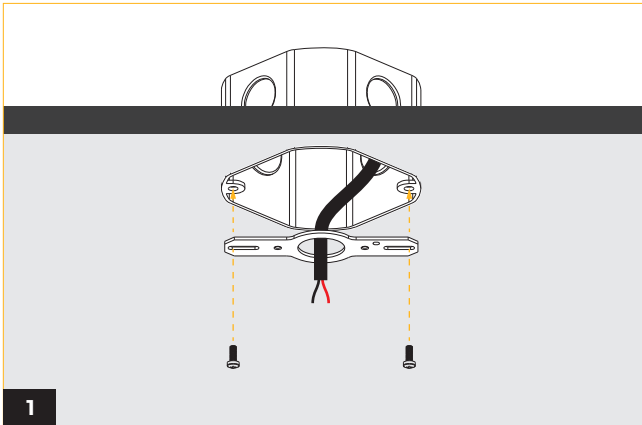


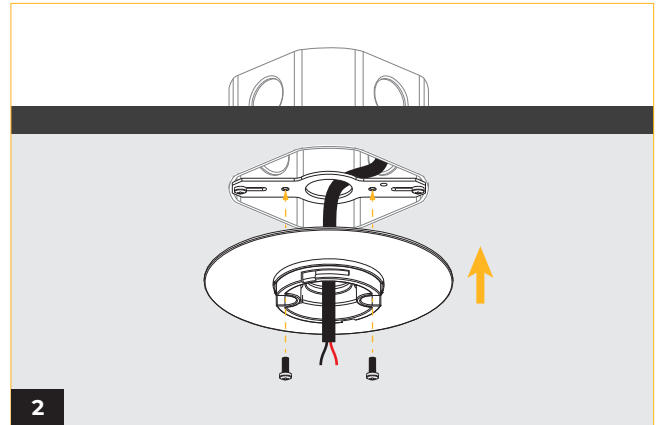
## **IMPORTANT SAFETY INFORMATION** READ AND FOLLOW ALL SAFETY INSTRUCTIONS

- Before wiring to power supply and during servicing or relamping, turn off power at fuse or circuit breaker.
- All servicing or relamping must be performed by qualified service personnel.
- Product must be grounded to avoid potential electric shock or other potential hazard.
- Product must be installed at locations and heights, in a manner consistent with its intended use, and in compliance with Electrical Code and local codes.

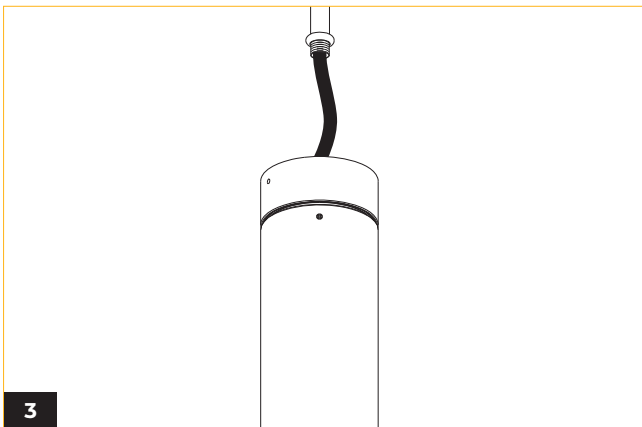
**SAVE THESE INSTRUCTIONS FOR FUTURE REFERENCE**



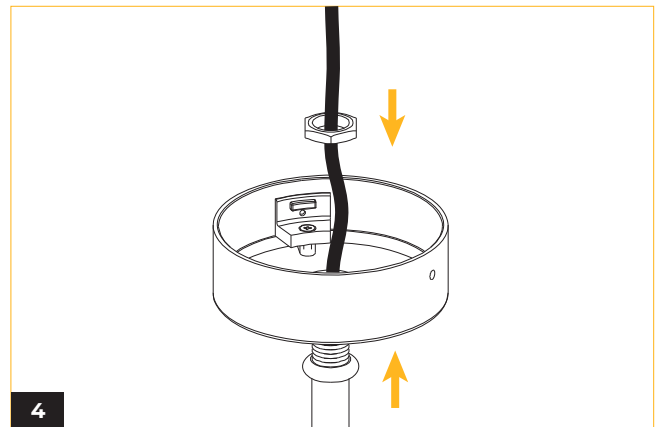
1 Secure the crossbar to junction box (by others), using two phillips screws.



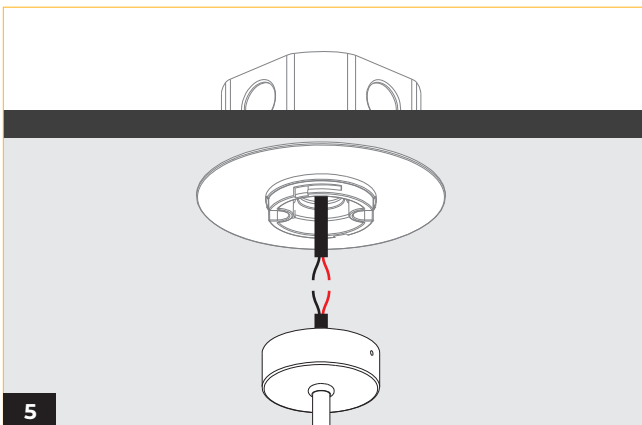
2 Screw the stem adjustable mount plate onto the bracket in the two holes indicated.



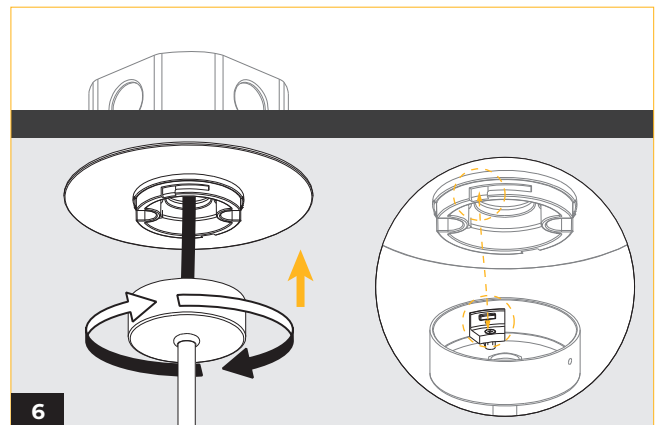
3 Thread luminaire wiring through stem mount.



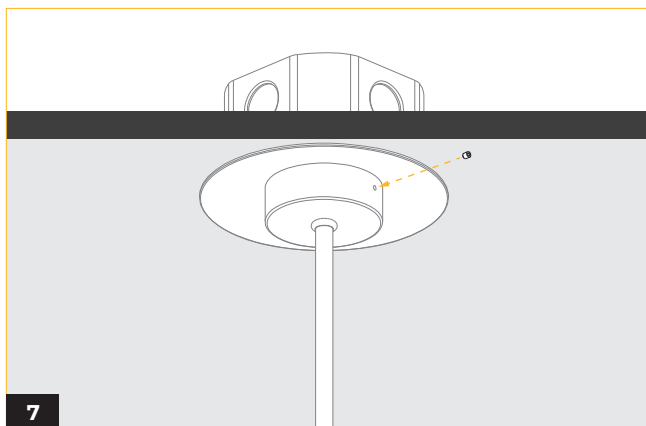
4 Fasten stem mount canopy and fasten in place using hex nut.



5 Make electrical connections between junction box and luminaire. Refer to the wiring diagram for a more detailed explanation.



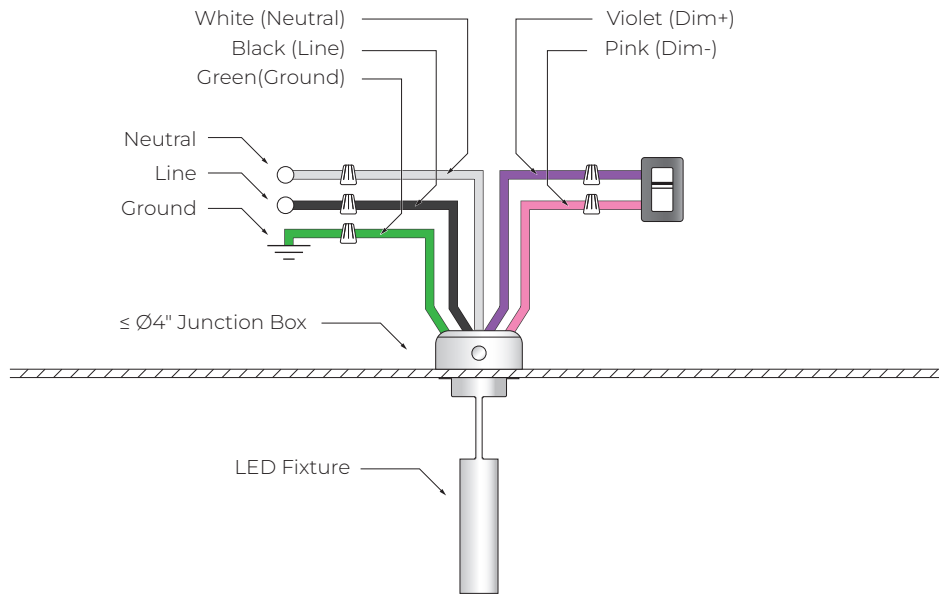
6 Raise and align the stem mount canopy to the plate by matching the U-shaped openings.



Secure fixture with hex screw.

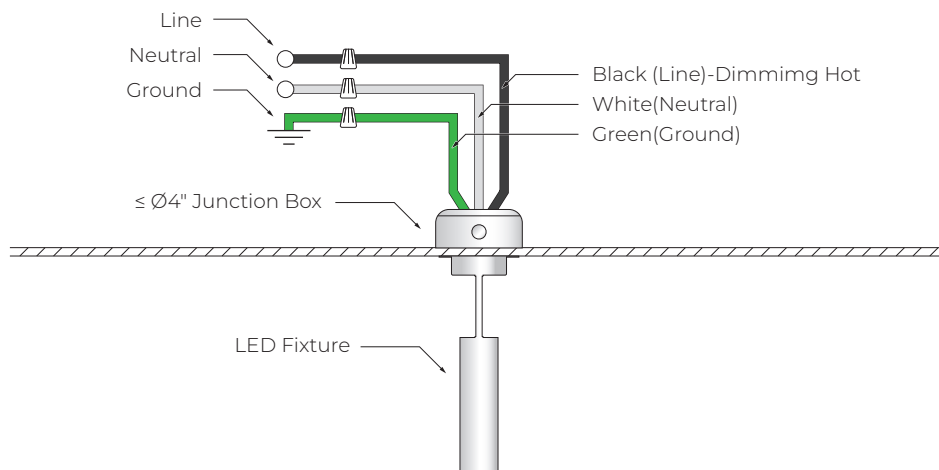
WIRING DIAGRAM

0-10V / Superior 0-10V



\*Not to Scale

TRIAC



\*Not to Scale