

# DOT 2

## AESTHETIC MICROCYLINDER SMALL BEYOND COMPARE

### Housing

Diameter : Ø2.5" | Height : 8.5" | Weight : 1.9 lbs

### Material

Housing: High Pressure Die-Cast Aluminum  
Lens: TIR Polycarbonate Lens

### Power Input

10W, 15W, 20W | 120-277V

### Lumen Output

1,070 lm (10W)  
1,600 lm (15W)  
2,150 lm (20W)

### Dimming

Superior 0-10V: Dims to black  
TRIAC Dims to 1% (120V Only)

### Color Quality

CRI 85, CRI 93 | UGR ≤ 19

### Rated Life

> 60,000 Hours (L70)

### Finish



Black



White

### Color Temperature



2700K



3000K



3500K



4000K

### Optics



20°



30°



45°



60°

### Mounting



Stem  
Mount



Cord  
Mount



Surface  
Mount



Stem  
Adjustable



Surface  
Adjustable

### Warranty

5 Year limited warranty

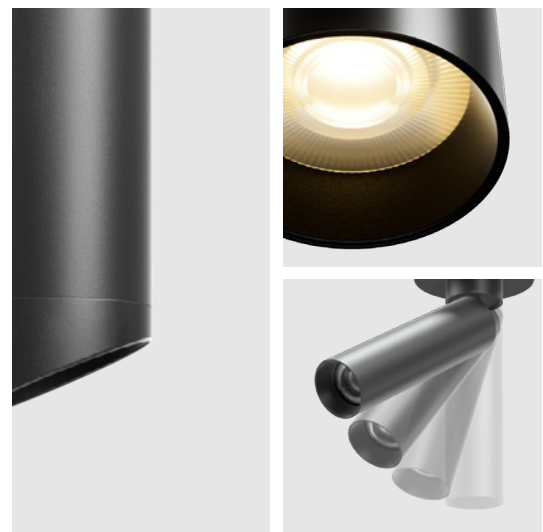
### Listing



## One Microcylinder Family To Rule Them All

The Dot 2.5 micro cylinders come with a delivered lumen package of up to 2,150 lm. Available in black and white finishes, a variety of mounting options, and accessories.

Two years on from the introduction of the Dot series, we have now expanded the line to include even smaller apertures and greater optical, and design accessories. Offering optimal balance between diminutive design and high performance.



**SPECIFICATION SHEET**

**DOT 2** AESTHETIC MICROCYLINDER  
SMALL BEYOND COMPARE



**SPECIFICATION**

PROJECT NAME

DATE

CATALOG #

QUANTITY

<b>DT2</b>	MODEL	<b>DOT 2</b>		
	WATTAGE	<b>10</b> 10W	<b>15</b> 15W	<b>20</b> 20W
	CCT / CRI	<b>278</b> 2700K / CRI 85 <b>279</b> 2700K / CRI 93 <b>408</b> 4000K / CRI 85	<b>308</b> 3000K / CRI 85 <b>309</b> 3000K / CRI 93	<b>358</b> 3500K / CRI 85 <b>359</b> 3500K / CRI 93
<b>UNV</b>	VOLTAGE	<b>UNV</b> 120 – 277V		
	DIMMING	<b>SPV</b> Superior 0-10V dims to black	<b>TRC</b> TRIAC dims to 1% (120V Only)	
	BEAM ANGLE	<b>20</b> 20° <b>60</b> 60°	<b>30</b> 30°	<b>45</b> 45°
	FINISH	<b>BLK</b> Black	<b>WHT</b> White	
	MOUNTING	<b>SUM</b> Surface Mount <b>ST2</b> Stem Mount 2ft <b>ST4A</b> Stem 4ft Adjustable	<b>SA</b> Surface Adjustable <b>ST4</b> Stem Mount 4ft	<b>CM10</b> Cord Mount 10ft <b>ST2A</b> Stem 2ft Adjustable
	ACCESSORIES*	<b>HC<sup>1</sup></b> Hex Cell Louver	<b>SL<sup>2</sup></b> Solite Lens	<b>SSB<sup>3</sup></b> Spot Shield Bezel

<sup>1</sup> Please factor in change in lumen output of -30%

<sup>2</sup> Please factor in change in lumen output of -15%

<sup>3</sup> Please factor in change in lumen output of -20%, Option is not compatible with SA, ST2A, ST4A.

\* Only one accessory can be chosen

## SPECIFICATION SHEET

**DOT 2** AESTHETIC MICROCYLINDER  
SMALL BEYOND COMPARE

# METEOR

### TECHNICAL DETAILS

#### Electrical

- 1,070 lm (10W)
- 1,600 lm (15W)
- 2,150 lm(20W)
- Power Input: Universal (120-277V)
- Operating Temperature: 14°F~95°F
- Surge Protection: Built-in is 2.5KV
- Integral Driver on all product configurations

#### LED Features

- Color Temperature: 2700K, 3000K, 3500K, 4000K
- CRI ≥ 85, CRI 95
- UGR ≤ 19
- Long life LED system designed for typical TM21 lumen maintenance ≥ L70 @ 60,000Hours

#### Optics

- TIR Polycarbonate Lens
- Beam Angle: 20°, 30°, 45°, 60°

#### Advanced Dimming

- Proprietary VX Driver™ is incorporated to all dimming options for video flicker-free lighting
- Superior 0-10V dims to black
- TRIAC Dims to 1% (120V Only)

#### Housing

- Diameter: Ø2.5"
- Height: 8.5"
- Material: High Pressure Die-Cast Aluminum
- Weight: 1.9 lbs

#### Mounting

- Surface Mount
- Surface Adjustable Mount (355° Rotation / 90° Tilt)
- Stem Mount 2ft or 4ft
- Stem Adjustable Mount 2ft or 4ft (355° Rotation / 90° Tilt)
- Cord Mount 10ft

#### Warranty

- 5-year limited warranty

#### Listing

- ETL Damp Location Listed
- CE
- FCC
- Title 24 Compliant

### DELIVERED LUMENS\*

STD (Standard)				
CCT/WATTAGE	2700K	3000K	3500K	4000K
10W	1,000lm	1,040lm	1,060lm	1,070lm
15W	1,450lm	1,550lm	1,580lm	1,600lm
20W	1,950lm	2,050lm	2,100lm	2,150lm

Current Consumption		
WATTAGE / VOLT	120V	277V
10W	0.09A	0.04A
15W	0.14A	0.06A
20W	0.18A	0.09A

\*Beam Angle: 60° \*Tolerance ±8%

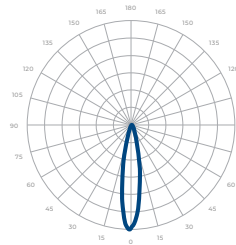
## SPECIFICATION SHEET

**DOT 2** AESTHETIC MICROCYLINDER  
SMALL BEYOND COMPARE

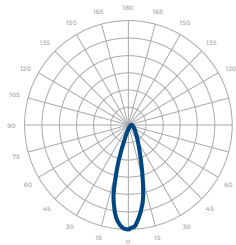
# METEOR

## PHOTOMETRICS

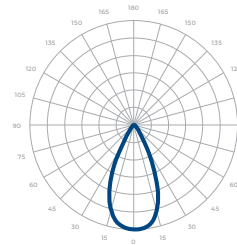
Below is a typical photometric representation of the Dot 2 fixture. Please download IES files to ensure exact photometric value.



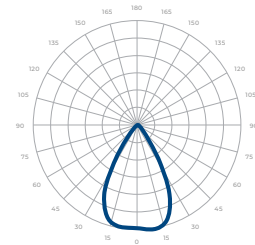
20°



30°



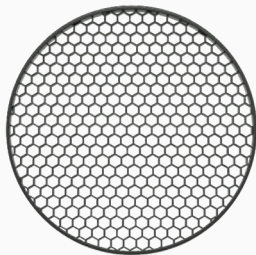
45°



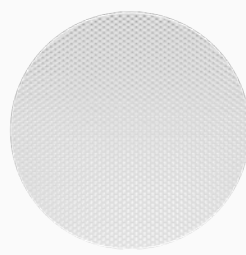
60°

## ACCESSORIES

Hex Cell Louver



Solite Lens



Spot Shield Bezel

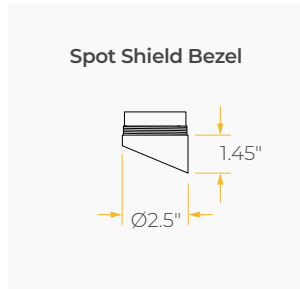
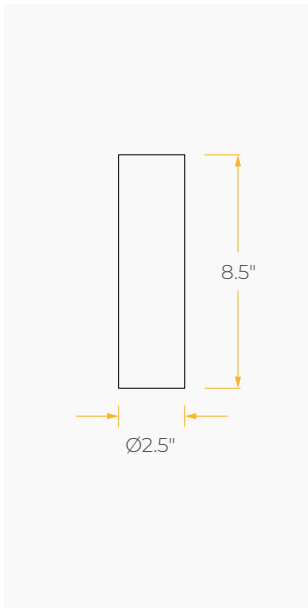


SPECIFICATION SHEET

**DOT 2** AESTHETIC MICROCYLINDER  
SMALL BEYOND COMPARE

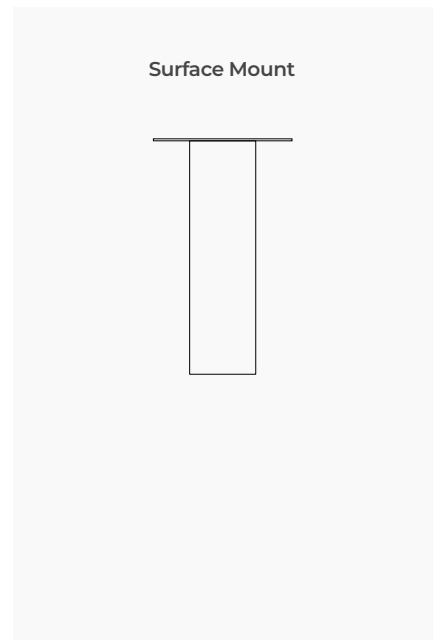
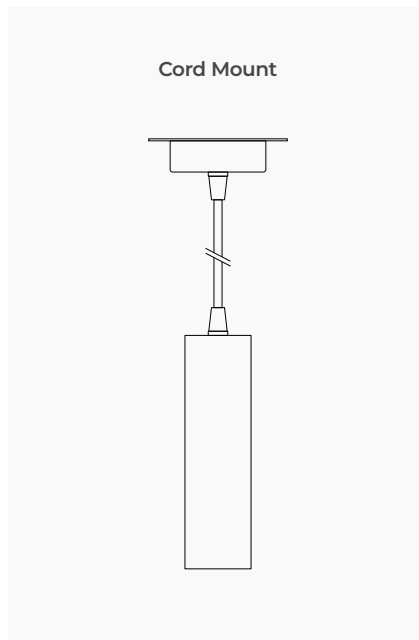
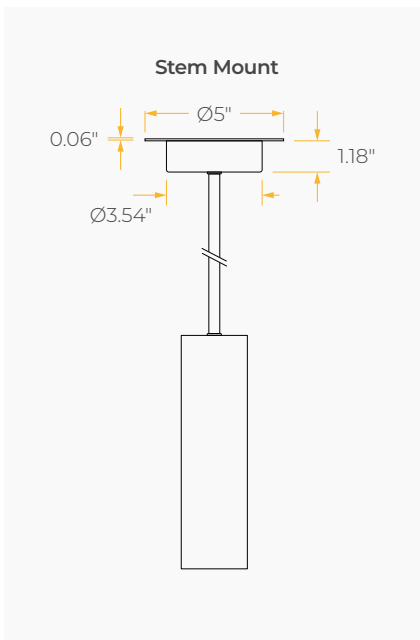


**DIMENSIONS**



**MOUNTING OPTIONS\***

\*Junction Box not included



SPECIFICATION SHEET

**DOT 2** AESTHETIC MICROCYLINDER  
SMALL BEYOND COMPARE



**MOUNTING OPTIONS\***

\*Junction Box not included

