

## **IMPORTANT SAFETY INFORMATION** READ AND FOLLOW ALL SAFETY INSTRUCTIONS

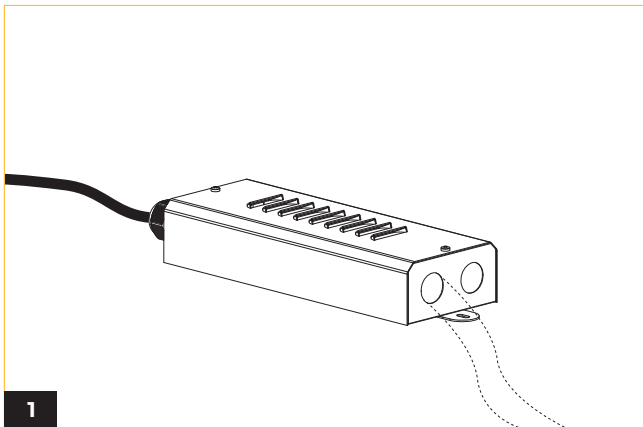
---

**FOR FIELD ASSISTANCE PLEASE CALL  
+1-213-255-2060 #4**

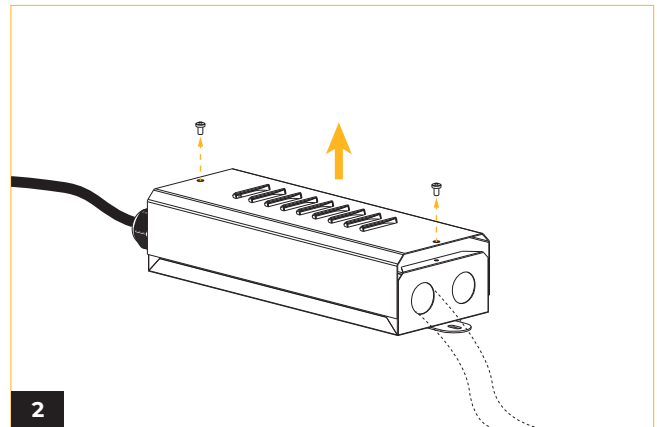
---

- Before wiring to power supply and during servicing or relamping, turn off power at fuse or circuit breaker.
- All servicing or relamping must be performed by qualified service personnel.
- Product must be grounded to avoid potential electric shock or other potential hazard.
- Product must be installed at locations and heights, in a manner consistent with its intended use, and in compliance with electrical code and local codes.

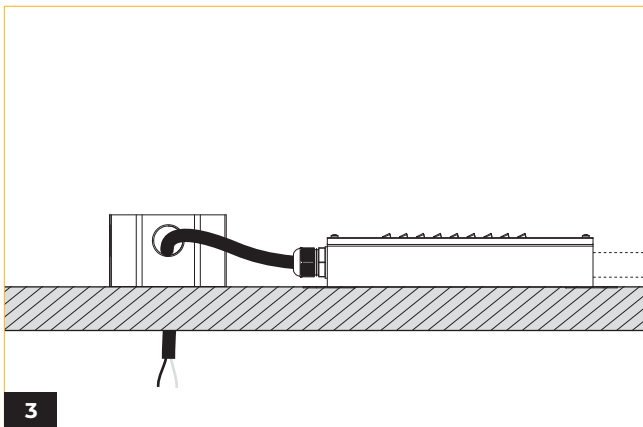
**SAVE THESE INSTRUCTIONS FOR FUTURE REFERENCE**



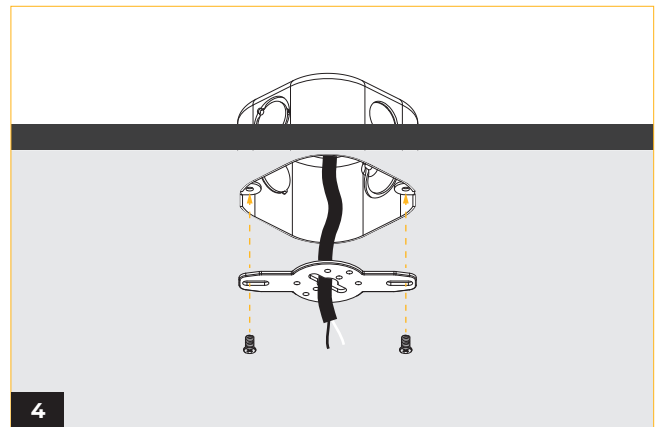
1 Remove knockout for power connection.



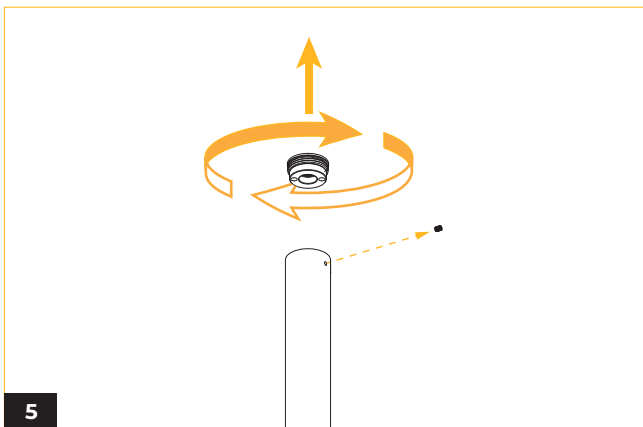
2 Remove powerbox lid to make electrical connections (Refer to wiring diagram).



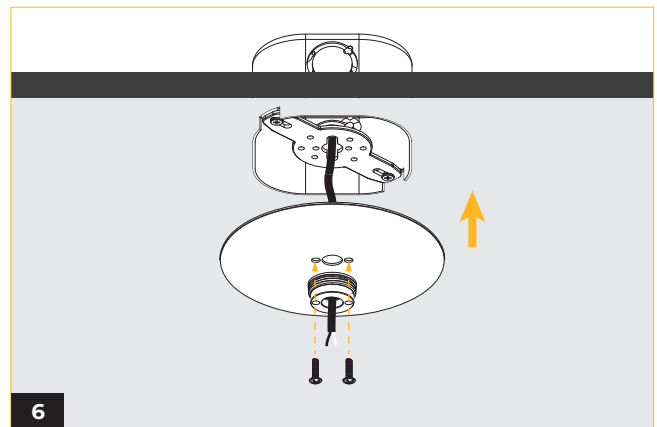
3 Thread the DC cables from powerbox through the junction box.



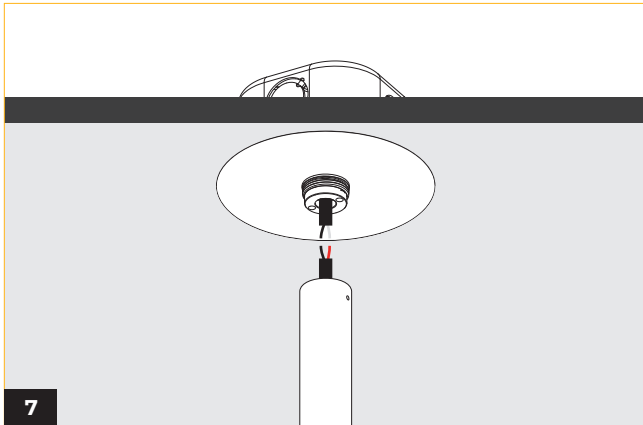
4 Secure the crossbar to junction box (by others), using two phillips screws.



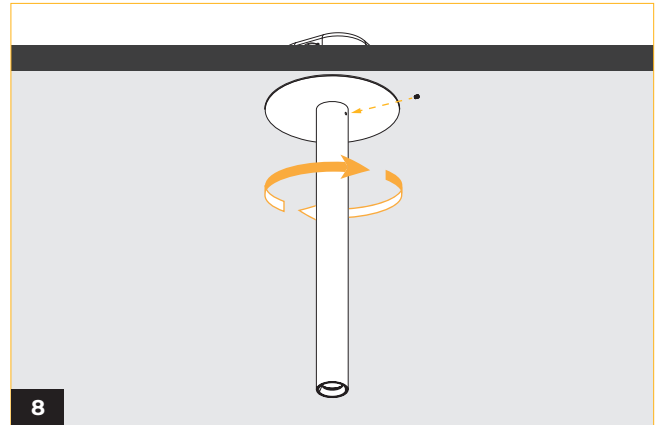
5 Remove top cover of luminaire by removing the hex screw located on the side of the luminaire.



6 Fasten canopy plate in place using 2 phillips screws, and cover with surface mount cover.



Make electrical connections between junction box and luminaire.

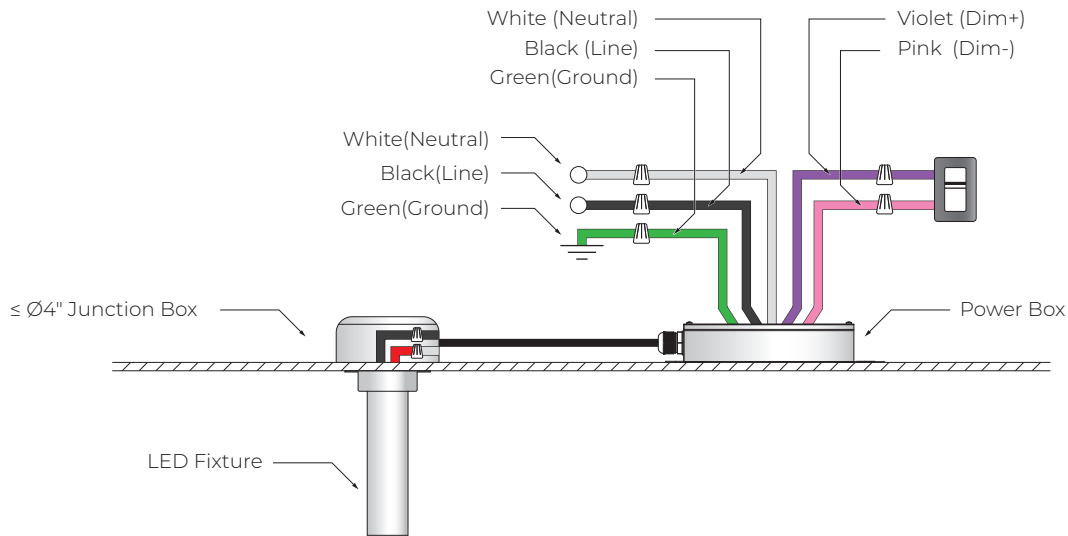


Secure the luminaire onto the top cover by hoisting level and rotating clockwise, then screw in the hex screw.

WIRING DIAGRAM

0-10V / Superior 0-10V

\*Not to scale



TRC

\*Not to scale

