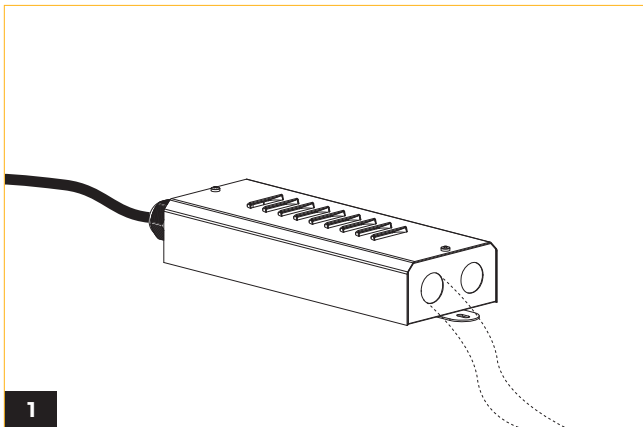


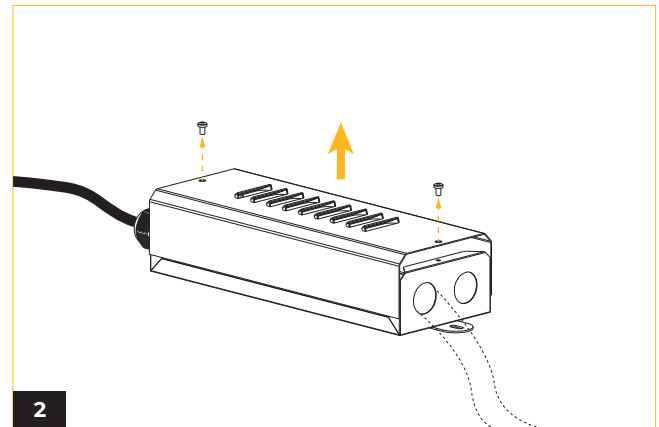
IMPORTANT SAFETY INFORMATION READ AND FOLLOW ALL SAFETY INSTRUCTIONS

- Before wiring to power supply and during servicing or relamping, turn off power at fuse or circuit breaker.
- All servicing or relamping must be performed by qualified service personnel.
- Product must be grounded to avoid potential electric shock or other potential hazard.
- Product must be installed at locations and heights, in a manner consistent with its intended use, and in compliance with Electrical Code and local codes.

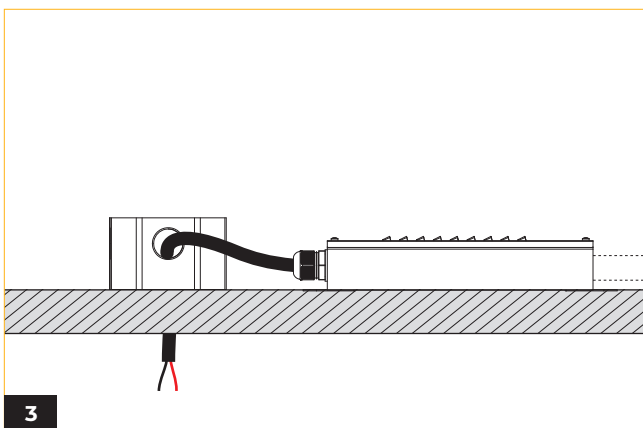
SAVE THESE INSTRUCTIONS FOR FUTURE REFERENCE



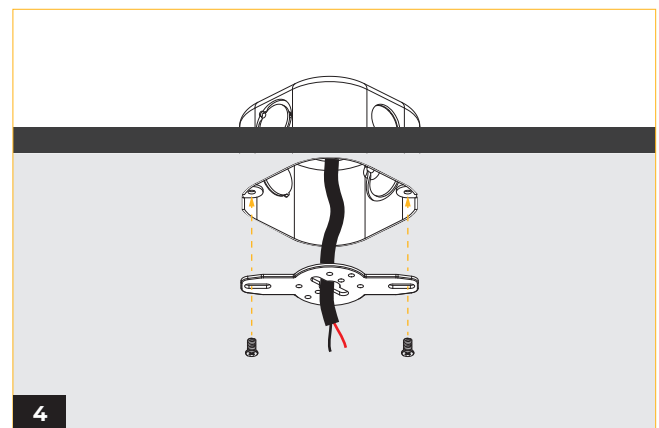
Remove knockout for power connection.



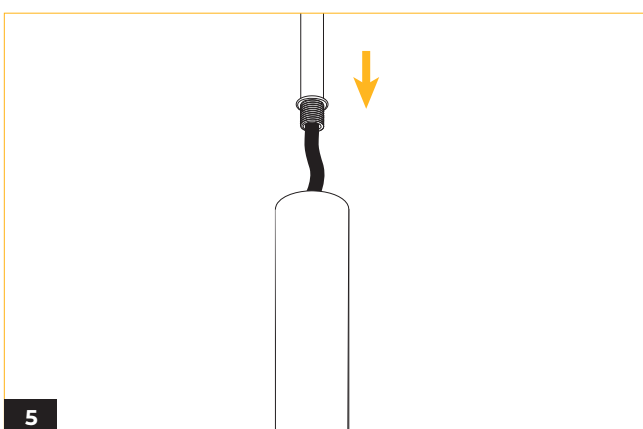
Remove powerbox lid to make electrical connections (Refer to wiring diagram).



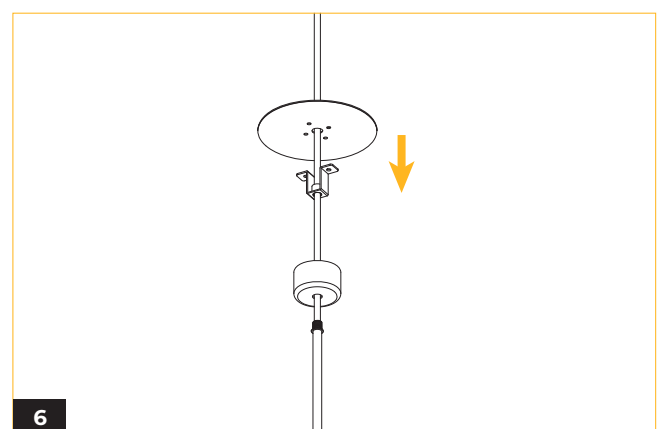
Thread the DC cables from powerbox through the junction box.



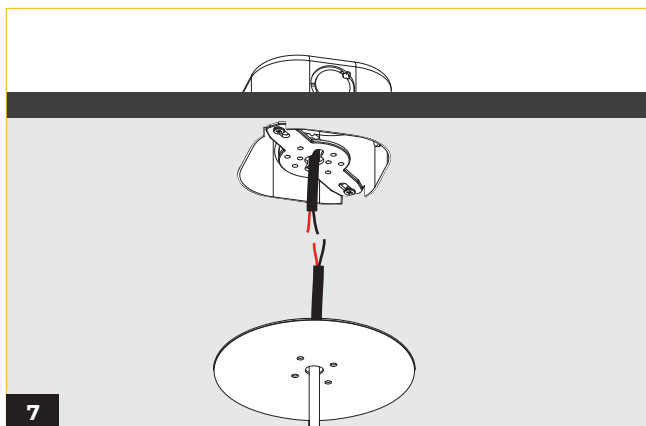
Secure the crossbar to junction box (by others), using two phillips screws.



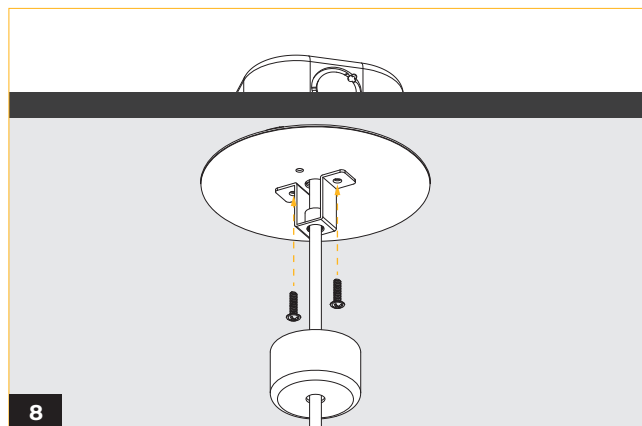
Thread wires from luminaire through the stem and secure in place.



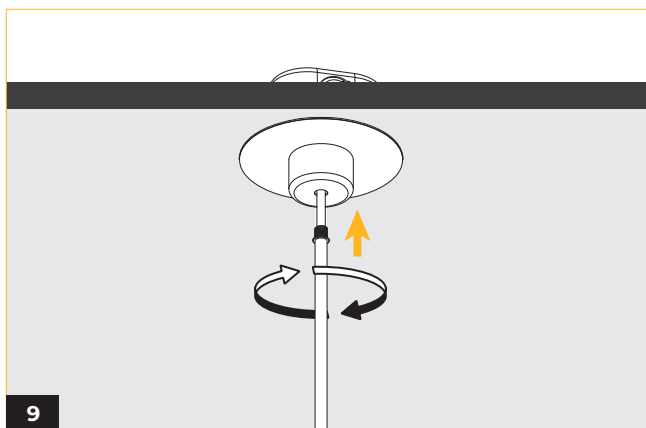
Thread wires through canopy mount, bracket and plate.



7 Make electrical connections between crossbar and mounting plate. Refer to the wiring diagram for more detailed instructions.



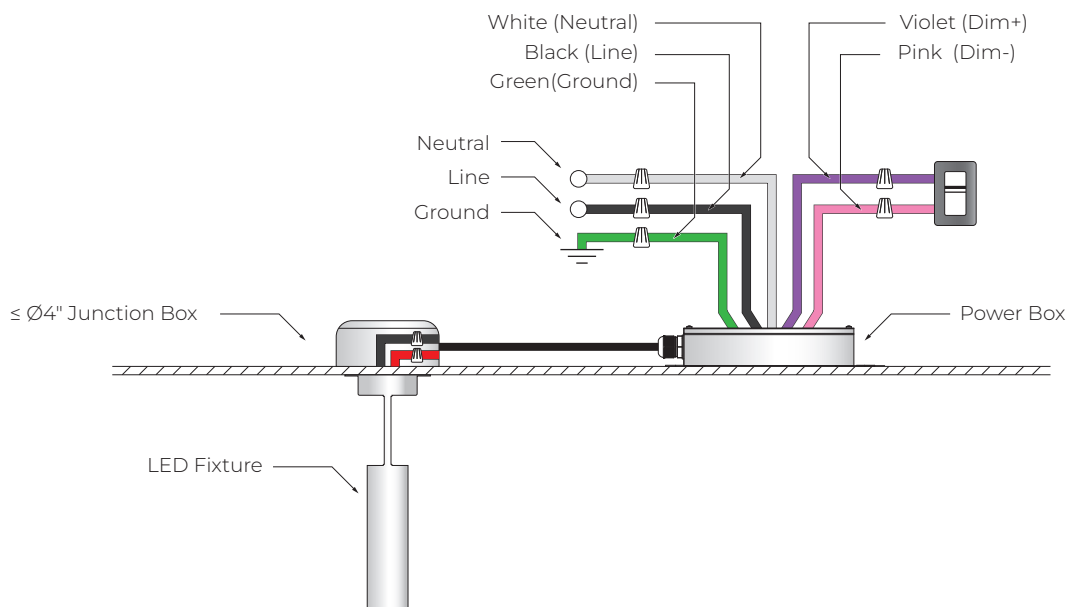
8 Fasten canopy plate in place using 2 phillips screws.



9 Fasten stem on canopy mount by rotating clockwise.

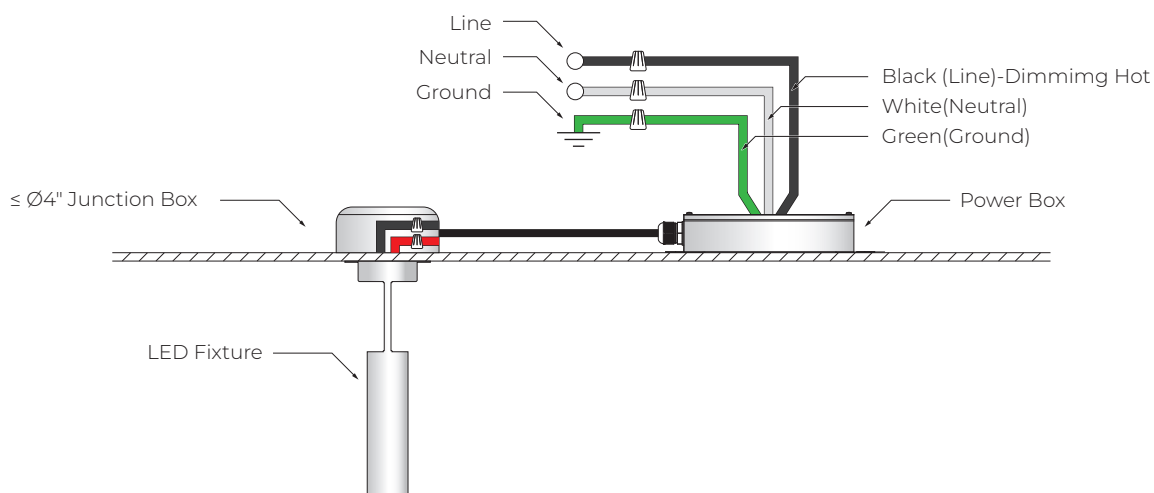
WIRING DIAGRAM

0-10V / Superior 0-10V



*Not to scale

TRIAC



*Not to scale