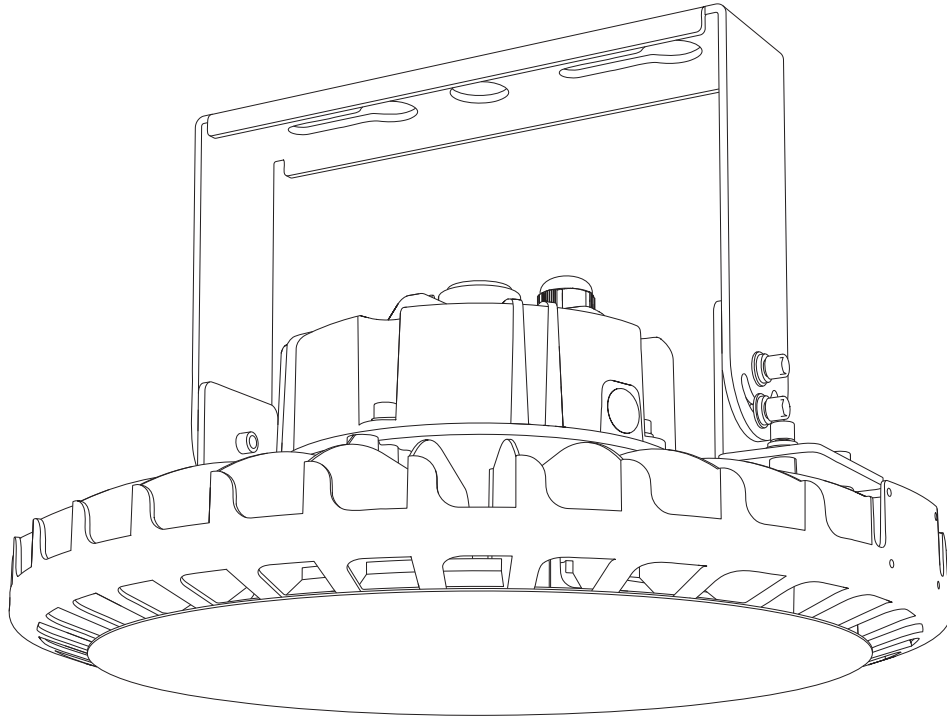


DEXT MINI SERIES

INSTALLATION GUIDE

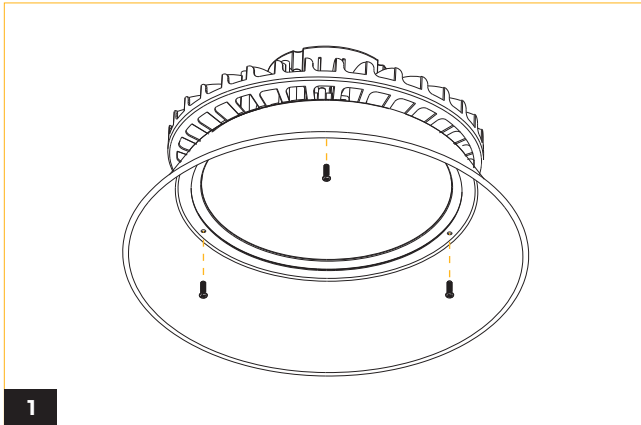


IMPORTANT SAFETY INFORMATION READ AND FOLLOW ALL SAFETY INSTRUCTIONS

- Before wiring to power supply and during servicing or relamping, turn off power at fuse or circuit breaker.
- All servicing or relamping must be performed by qualified service personnel.
- Product must be grounded to avoid potential electric shock or other potential hazard.
- Product must be installed at locations and heights, in a manner consistent with its intended use, and in compliance with Electrical Code and local codes.

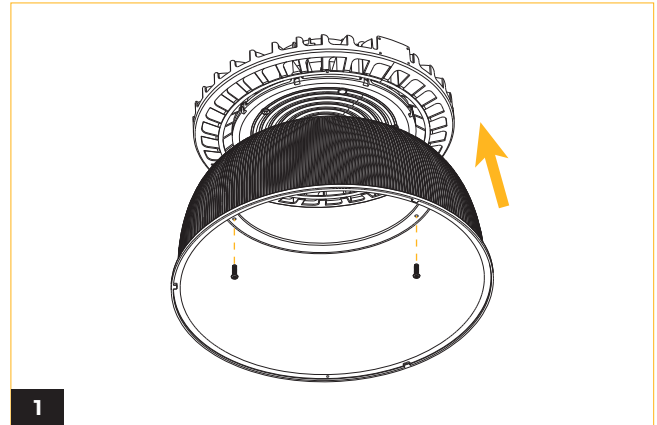
SAVE THESE INSTRUCTIONS FOR FUTURE REFERENCE

ALUMINUM SHROUD



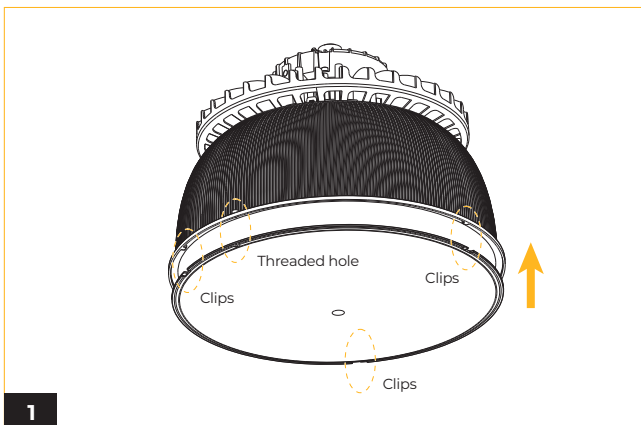
Install the Aluminum Shroud to the fixture with 3 supplied screws.

PC SHROUD



Install the PC shroud to the fixture with 3 supplied screws.

CONICAL LENS



Locate the clips and threaded hole to matching positions.



Push the cover in a clockwise direction to make the clips locked tight, and fasten the PC shroud and conical lens with the supplied screw.