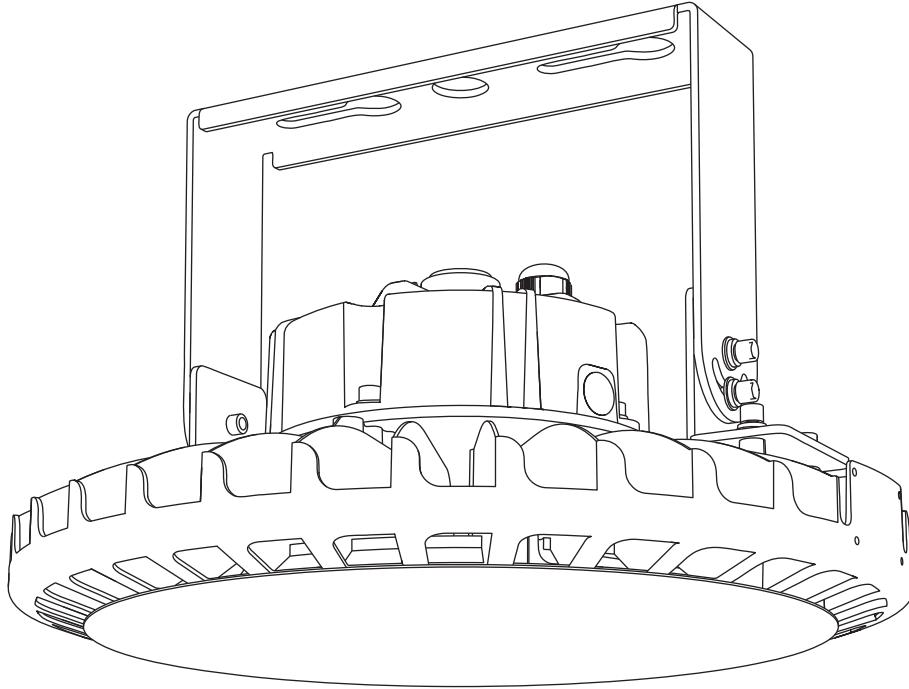


# DEXT MINI SERIES

INSTALLATION GUIDE



## **IMPORTANT SAFETY INFORMATION** READ AND FOLLOW ALL SAFETY INSTRUCTIONS

---

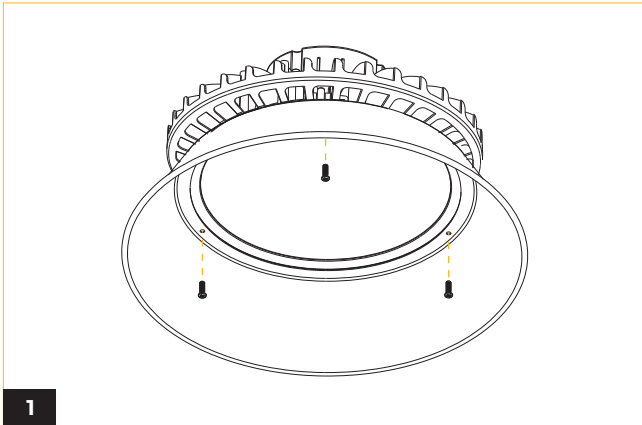
**FOR FIELD ASSISTANCE PLEASE CALL  
+1-213-255-2060 #4**

---

- Before wiring to power supply and during servicing or relamping, turn off power at fuse or circuit breaker.
- All servicing or relamping must be performed by qualified service personnel.
- Product must be grounded to avoid potential electric shock or other potential hazard.
- Product must be installed at locations and heights, in a manner consistent with its intended use, and in compliance with electrical code and local codes.

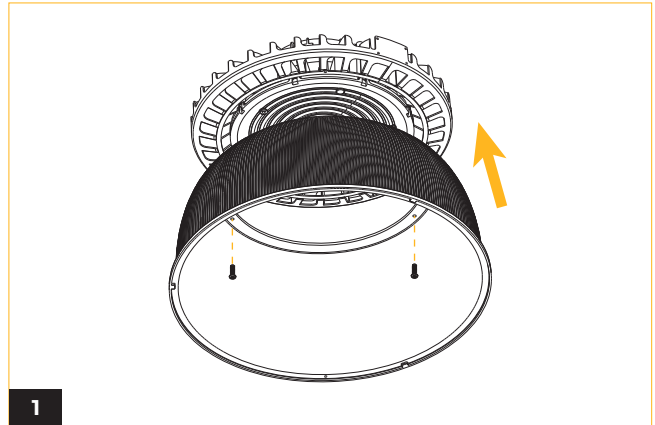
**SAVE THESE INSTRUCTIONS FOR FUTURE REFERENCE**

ALUMINUM SHROUD



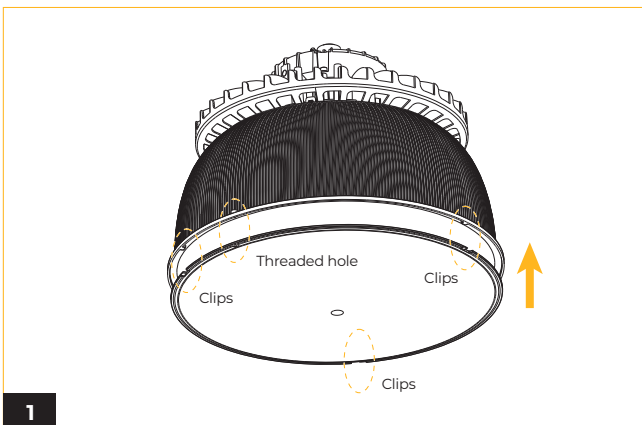
Install the Aluminum Shroud to the fixture with 3 supplied screws.

PC SHROUD



Install the PC shroud to the fixture with 3 supplied screws.

CONICAL LENS



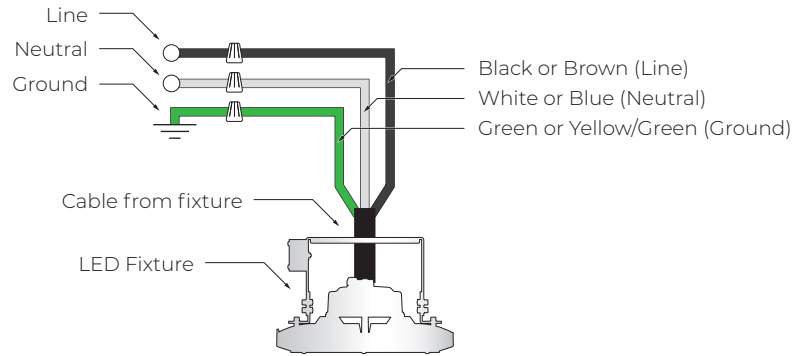
Locate the clips and threaded hole to matching positions.



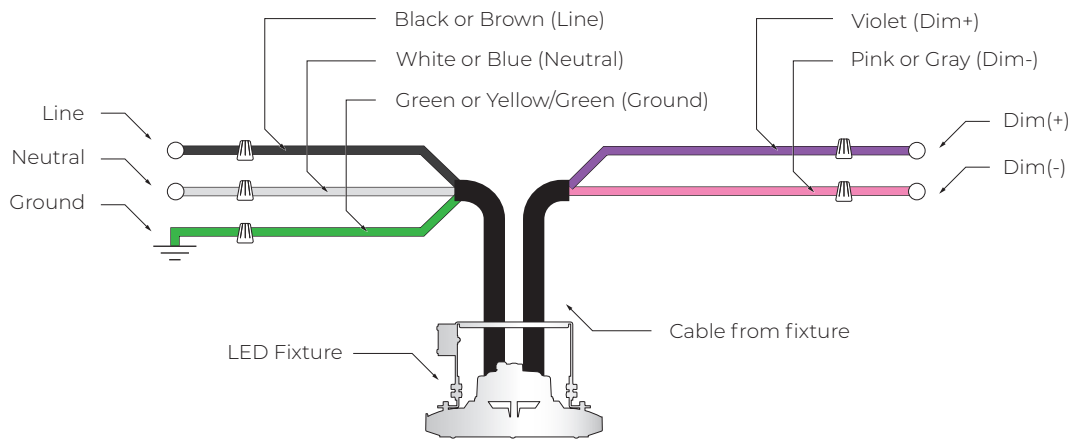
Push the cover in a clockwise direction to make the clips locked tight, and fasten the PC shroud and conical lens with the supplied screw.

WIRING DIAGRAM

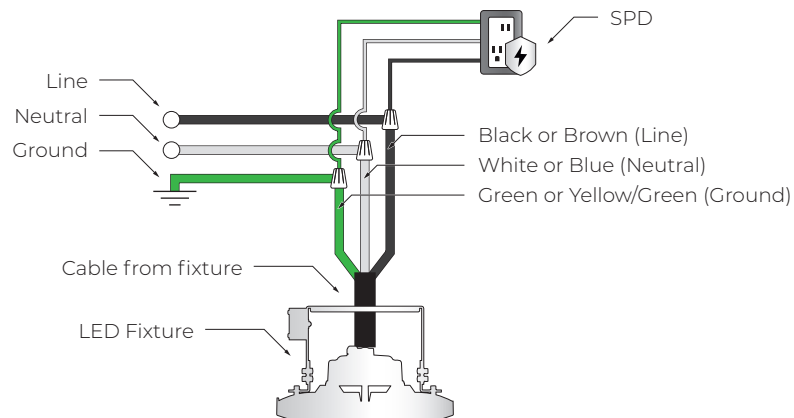
NOD (Non Dimming)



STV 0-10V



SPD (Surge Protector)



WIRING DIAGRAM

DALI

