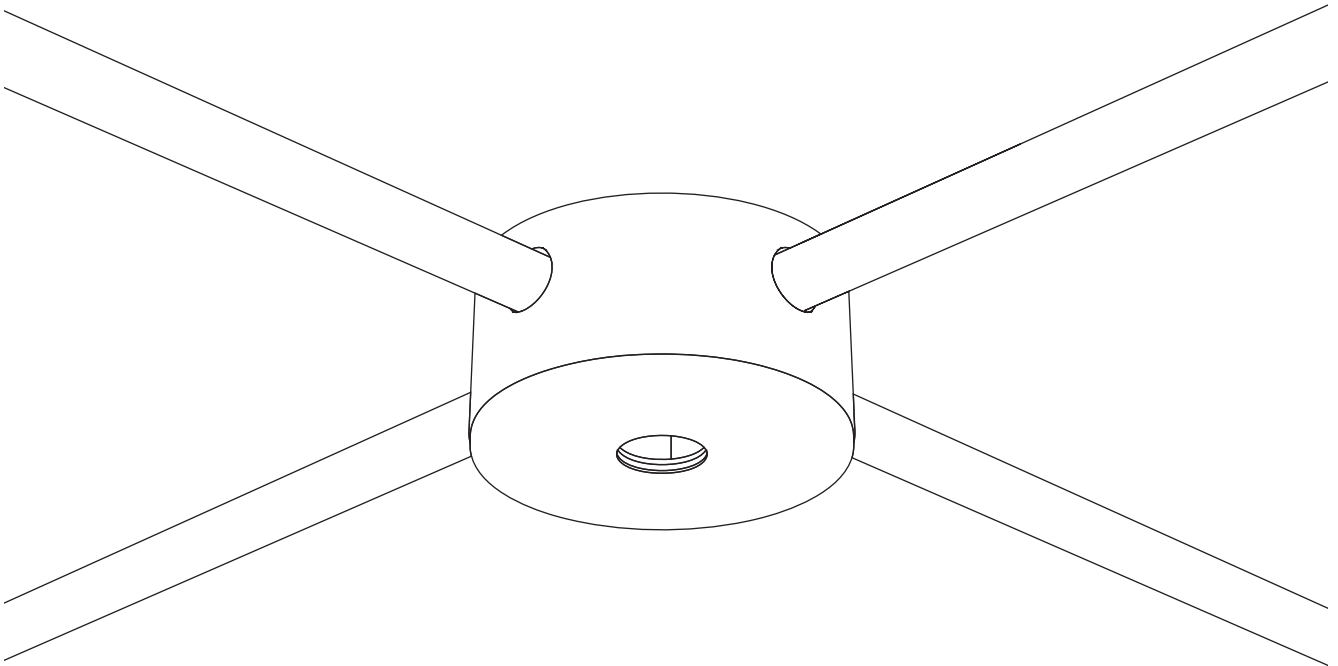


CONDUIT MOUNT

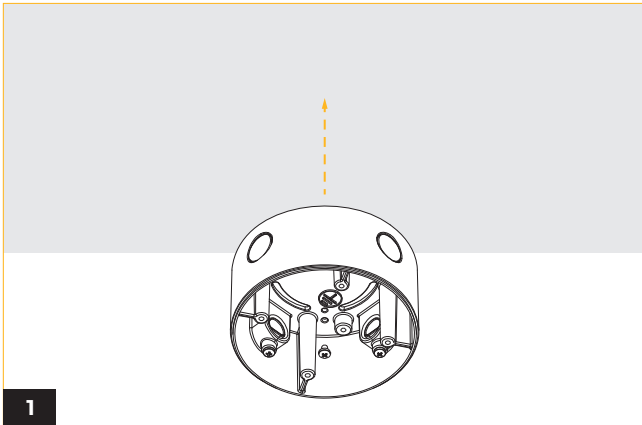
INSTALLATION GUIDE
CONDUIT MOUNT



IMPORTANT SAFETY INFORMATION READ AND FOLLOW ALL SAFETY INSTRUCTIONS

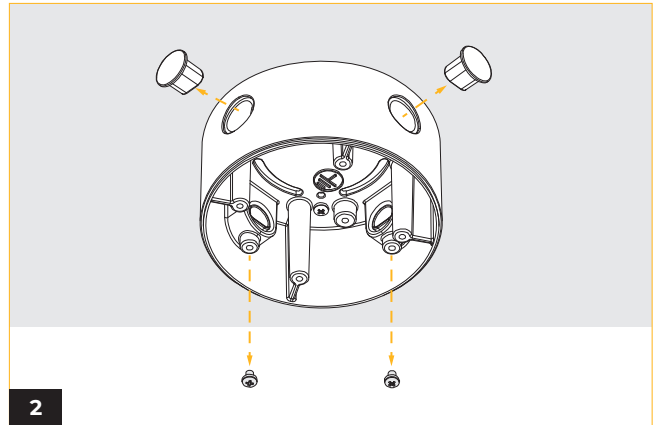
- Before wiring to power supply and during servicing or relamping, turn off power at fuse or circuit breaker.
- All servicing or relamping must be performed by qualified service personnel.
- Product must be grounded to avoid potential electric shock or other potential hazard.
- Product must be installed at locations and heights, in a manner consistent with its intended use, and in compliance with Electrical Code and local codes.

SAVE THESE INSTRUCTIONS FOR FUTURE REFERENCE



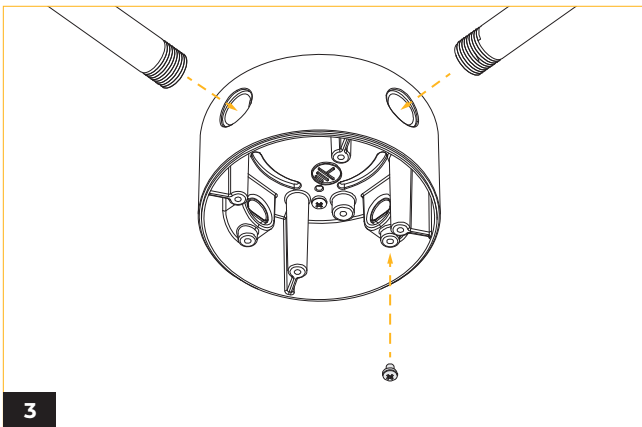
1

Attach the conduit mount junction box to the desired ceiling position by using mounting hardware. Ensure that the conduit openings are oriented in the desired direction.



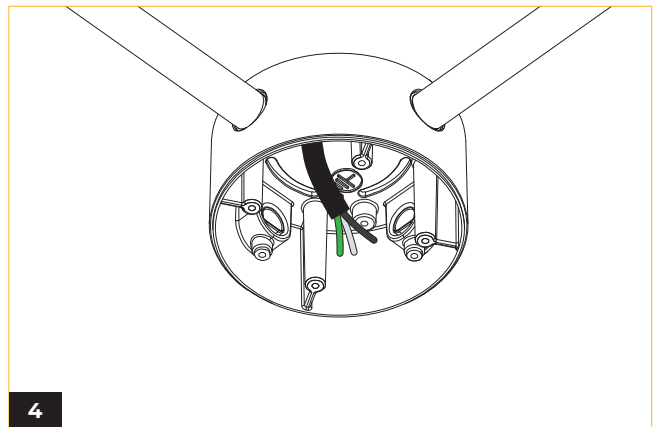
2

Remove the screws from the bottom of the junction box to release the conduit end caps.



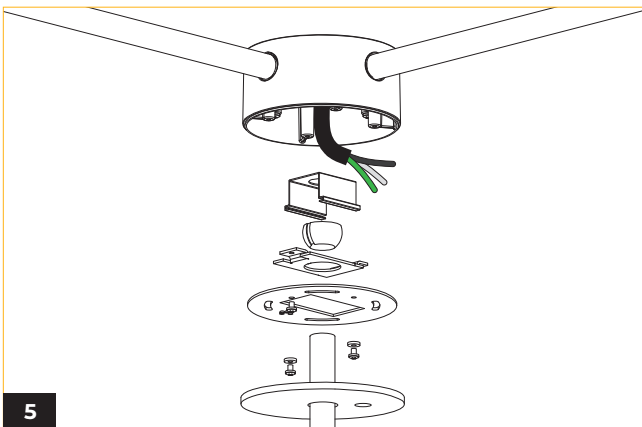
3

Attach the conduit to the junction box. If the conduit has threads, screw it in firmly. If the conduit is threadless, reattach the screw from below to firmly secure the conduit in place.



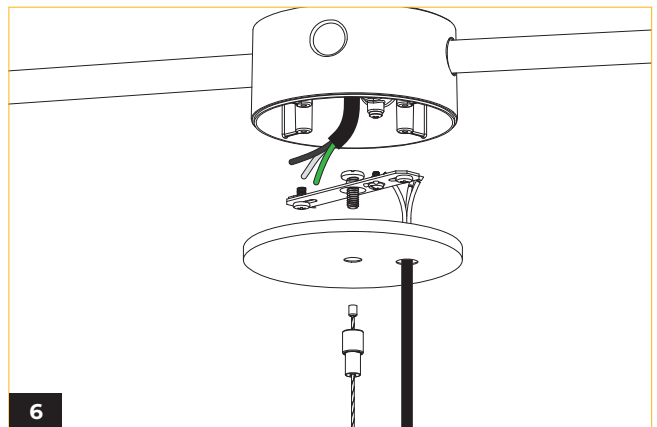
4

Thread the wires through the conduits.



5

For stem mount applications, please refer to the Stem Mount installation guide.



6

For adjustable cable applications, please refer to the Adjustable Cable installation guide.