

ATRIA II 8

SPECIFICATION SHEET
WARM DIM

REIMAGINING PERFORMANCE SPACES

Housing

Diameter : Ø8.1" | Height : 21.5" | Weight : 20 lbs

Material

Housing: High Pressure Die-Cast Aluminum

Optics: Metal Reflector

Power Input

80W, 100W, 130W, 160W | 120-277V

Lumen Output

5,480 lm (80W), 6,860 lm (100W), 8,920 lm (130W), 10,970 lm (160W)

Dimming

Superior 0-10V: Dims to 1%

DMX: High resolution dims to 0.1% (Supports ANSI E1.20 RDM protocol)

Color Quality

CRI 85

Rated Life

> 100,000 Hours (L70)

Finish



Matte Black

Matte White

Color Temperature



ColorFlip™ Warm Dim
1900K ↔ 3000K

Optics



30°



45°



55°



Wide

Mounting



Stem Mount



Adjustable Cable



Yoke Mount



Wall Mount



Surface Mount

Warranty

5 Year limited warranty

Listing



Versatile and Compact Architectural Cylinder

Engineered for performance spaces, this architectural compact cylinder seamlessly integrates into ceilings, delivering powerful performance with vibrant, color-changing technology that elevates any stage environment.

ColorFlip™ harnesses advanced flip-chip technology, designed in-house, to deliver high-efficacy, flexible, and cost-effective color tuning solutions. This technology ensures robust output and precise color accuracy.



SPECIFICATION

PROJECT NAME

DATE

CATALOG #

QUANTITY

The product configurator function on this page works only with the latest version of Chrome or Adobe Acrobat Reader.

<input type="checkbox"/>	ASII8	MODEL	ATRIA II 8		
<input type="checkbox"/>		WATTAGE	80 80W 160 160W	100 100W	130 130W
<input type="checkbox"/>	WDIM	CCT / CRI	WDIM 1900K-3000K		
<input type="checkbox"/>	UNV	VOLTAGE	UNV 120 – 277V		
<input type="checkbox"/>		DIMMING	SPV Superior 0-10V dims to 1%, dim to black	DMX DMX dims to 0.1% (XLR Sockets)	DMXR DMX dims to 0.1% (RJ45 Sockets)
<input type="checkbox"/>		BEAM ANGLE	30 30° WD¹ Wide	45 45°	55 55°
<input type="checkbox"/>		FINISH	BLK SilentBlack™, Matte Finish	WHT SilentWhite™, Matte Finish	
<input type="checkbox"/>		RIM FINISH	STD Standard	GLR Glowing Ring	
<input type="checkbox"/>		MOUNTING	ST2 Stem 2ft SAD10 Sloped Adjustable Cable 10ft SUM Surface Mount	ST4 Stem 4ft YKM Yoke Mount	AD10 Adjustable Cable 10ft WLM² Wall Mount
<input type="checkbox"/>		ACCESSORIES	SPD³ Surge Protector	HC⁴ Honeycomb Louver	CT⁵ Conduit Mount

CLEAR FORM

¹ Please factor in change in lumen output of -20% with WD
² Specifying wall mount with DMX does not feature XLR or RJ45 sockets; connections are hard-wired using three DMX wires
³ Surge protector for up to 10KV. Applicable for unstable mains or facilities using high power machineries
⁴ Please factor in change in lumen output of 30%
⁵ CT only compatible with ST and AD mounting types

TECHNICAL DETAILS

Electrical

- 5,480 lm (80W), 6,860 lm (100W), 8,920 lm (130W), 10,970 lm (160W)
- Power Input: Universal (120-277V)
- Operating Temperature: -13°F~112°F
- Surge Protection: Built-in is 4KV
- Power Factor Greater than 0.9

LED Features

- ColorFlip™ Warm Dim 1900K ↔ 3000K
- CRI 85
- Long lasting LED luminaire tested under TM21 lumen maintenance L70 @ 100,000 Hrs
- Lumen Maintenance > 0.90 at 60,000 hours

Optics

- Aluminum Reflector
- Beam Angle: 30°, 45°, 55°, WD

Advanced Dimming

- Proprietary VX Driver™ is incorporated to all dimming options for video flicker-free lighting
- Superior 0-10V: Dims to 1 %
- DMX: High resolution dims to 0.1% (Supports ANSI E1.20 RDM protocol)

Housing

- Diameter: Ø8.1"
- Height: 21.5"
- Material: High Pressure Aluminum, Metal Reflector
- Weight: 20 lbs

Mounting

- Stem 2ft or 4ft; 45° Swivel Canopy Included
- Adjustable Cable 10ft
- Sloped Adjustable Cable 10ft
- Surface Mount
- Yoke Mount
- Wall Mount

Warranty

- 5-year limited warranty

Listing

- ETL Damp Location Listed
- CE
- UKCA
- FCC

PERFORMANCE SUMMARY*

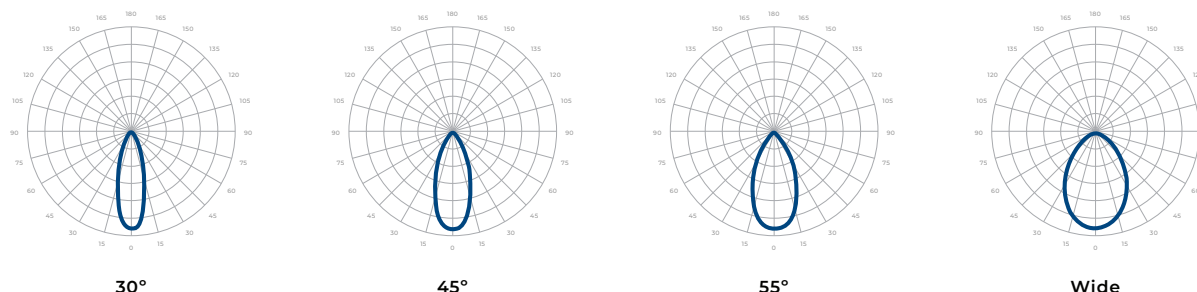
Warm Dim	1900K					3000K
DMX CCT Signal (%)	7%	20%	40%	60%	80%	100%
0-10V CCT Voltage	0.7	2	4	6	8	10
80W	50lm	200lm	820lm	1,930lm	3,370lm	5,480lm
100W	60lm	250lm	1,020lm	2,410lm	4,220lm	6,860lm
130W	80lm	320lm	1,330lm	3,140lm	5,490lm	8,920lm
160W	100lm	400lm	1,640lm	3,860lm	6,750lm	10,970lm

*Beam Angle: 55° *Tolerance ±8%

Current Consumption		
WATTAGE / VOLT	120V	277V
80W	0.73A	0.32A
100W	0.91A	0.39A
130W	1.2A	0.52A
160W	1.5A	0.64A

PHOTOMETRICS

Below is a typical photometric representation of the Atria II 8 fixture. Please download IES files to ensure exact photometric value.

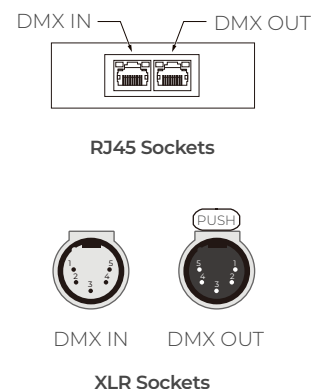


DMX REQUIREMENTS

The Atria II 8 fixture with DMX is a **single channel dmx** unit that dims both intensity and color temperature between 1900K <-> 3000K. When placing an order, please indicate DMX address. (The DMX address will be listed on the back of the fixture). Do not connect more than 32 fixtures per DMX daisy chain.

The fixture can be connected with RJ45 or XLR sockets. DMX cables **are not** included; please refer to compatible DMX cabling list for more information. The final fixture on each daisy chain should be terminated by the use of a DMX terminator purchased from a 3rd party or from Meteor.

CONNECTION	RJ45 (CAT5e)	5-PIN XLR
Common	WHITE/BROWN(PIN7) & BROWN (PIN 8)	PIN 1
Signal -	ORANGE (PIN 2)	PIN 2
Signal +	WHITE/ORANGE (PIN 1)	PIN 3
Spare	-	PIN 4
Spare	-	PIN 5

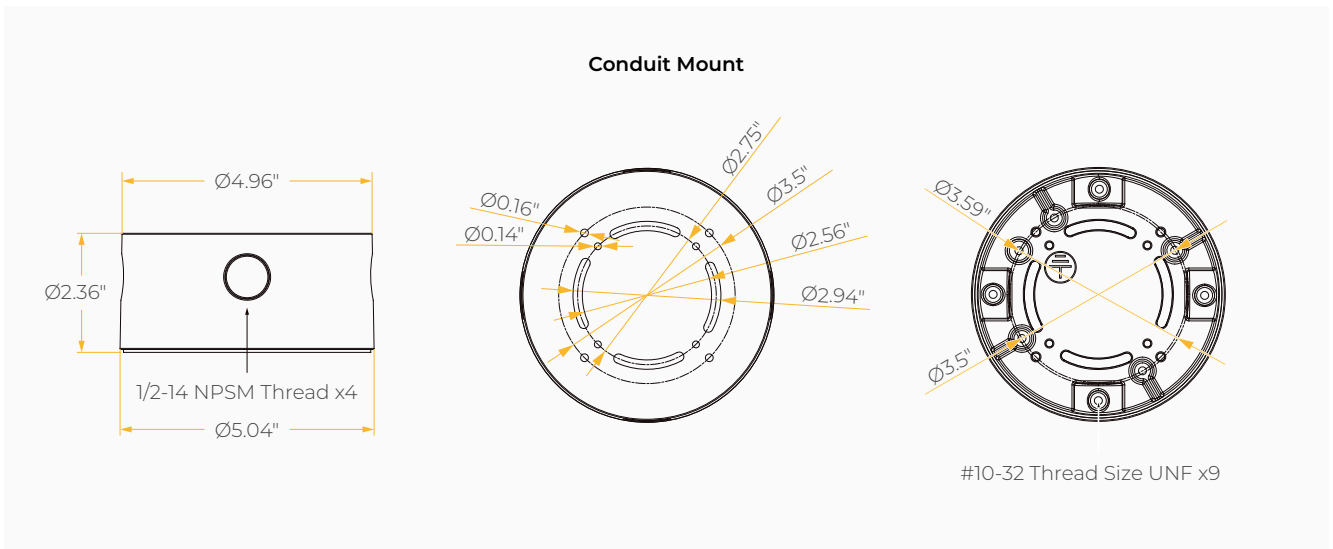
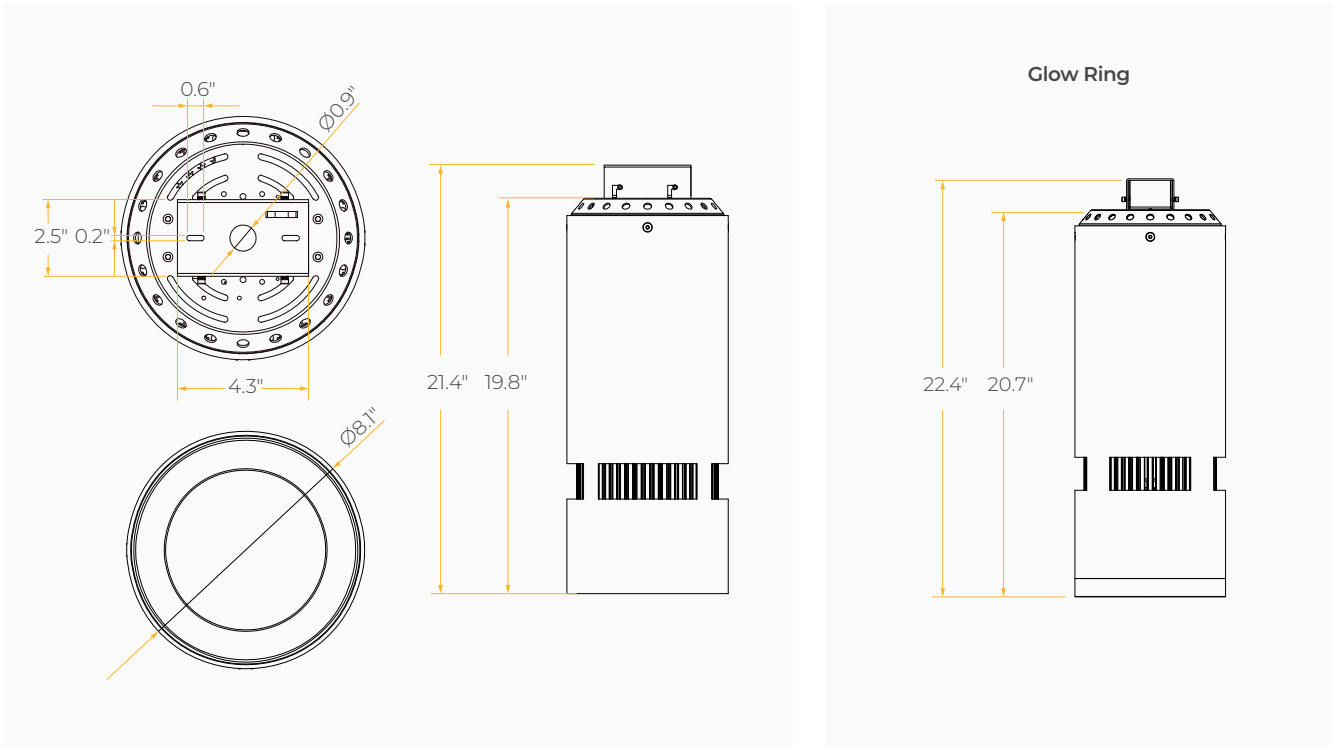


COMPATIBLE DMX CABLING LIST

DMX uses a cable consisting of two twisted pairs plus a shield to carry data. The cable must be specifically impedance matched for the digital DMX signal, meaning that microphone cable or other non-rated cable **must not be used to carry DMX**. Network cable (Cat5, 5e or 6 cable) may be used to carry DMX in an installation; however special consideration must be given to shielding and termination. Under no circumstances should solid core cable like Cat5 be terminated into a screw down connector.

Meteor recommends the use of Belden 9729 or Belden 9841 for DMX installation. Belden 9729/9841 is a shielded twisted pair cable, which allows for a spare pair for 'out and back' type terminations if needed.

DIMENSIONS



MOUNTING OPTIONS

*Junction box not included

