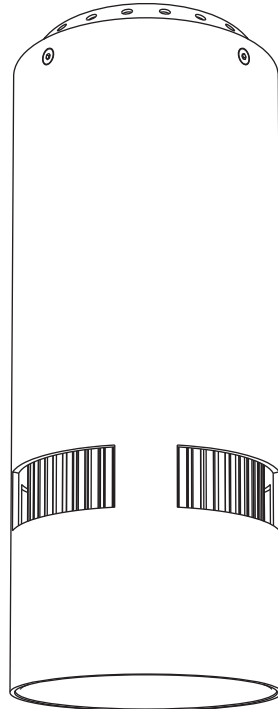


# ATRIA II 8

INSTALLATION GUIDE  
WALL MOUNT



## **IMPORTANT SAFETY INFORMATION** READ AND FOLLOW ALL SAFETY INSTRUCTIONS

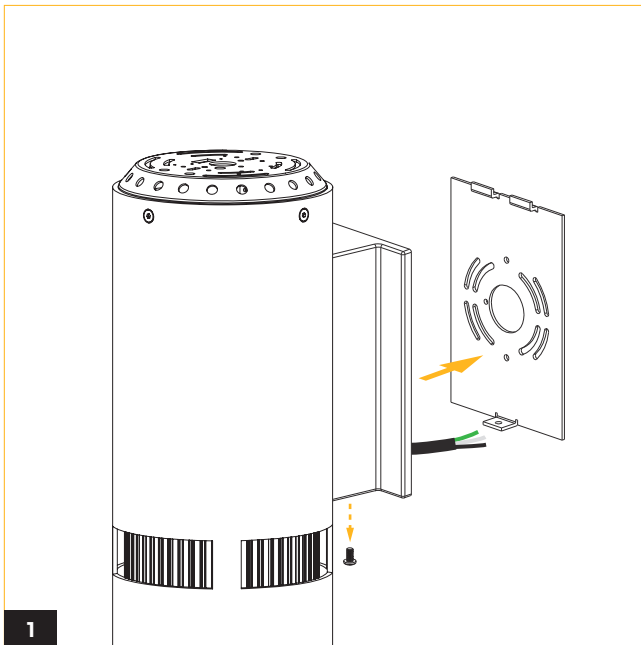
---

**FOR FIELD ASSISTANCE PLEASE CALL  
+1-213-255-2060 #4**

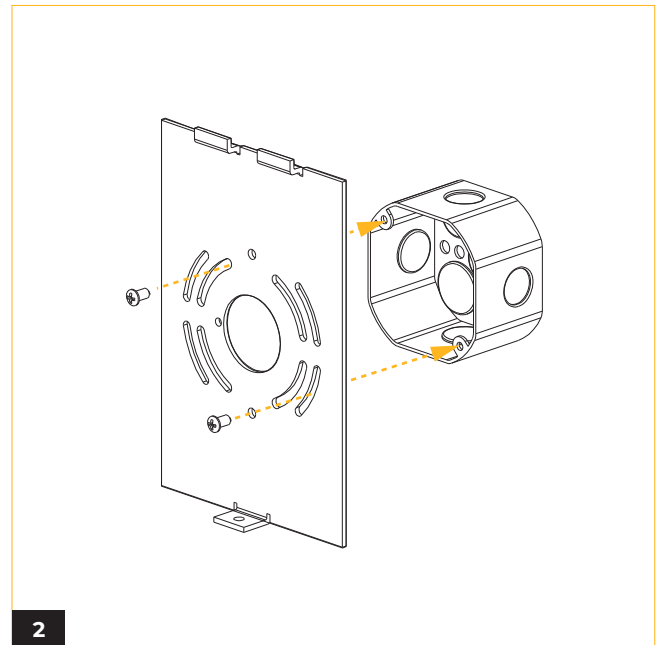
---

- Before wiring to power supply and during servicing or relamping, turn off power at fuse or circuit breaker.
- All servicing or relamping must be performed by qualified service personnel.
- Product must be grounded to avoid potential electric shock or other potential hazard.
- Product must be installed at locations and heights, in a manner consistent with its intended use, and in compliance with electrical code and local codes.

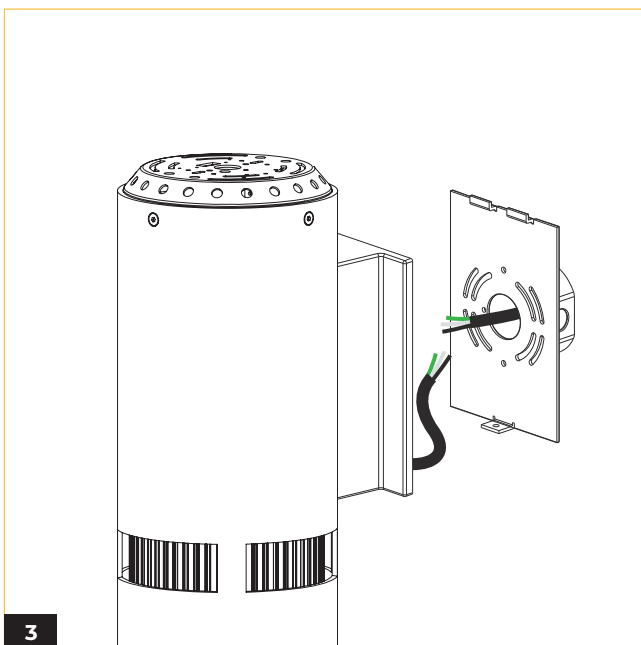
**SAVE THESE INSTRUCTIONS FOR FUTURE REFERENCE**



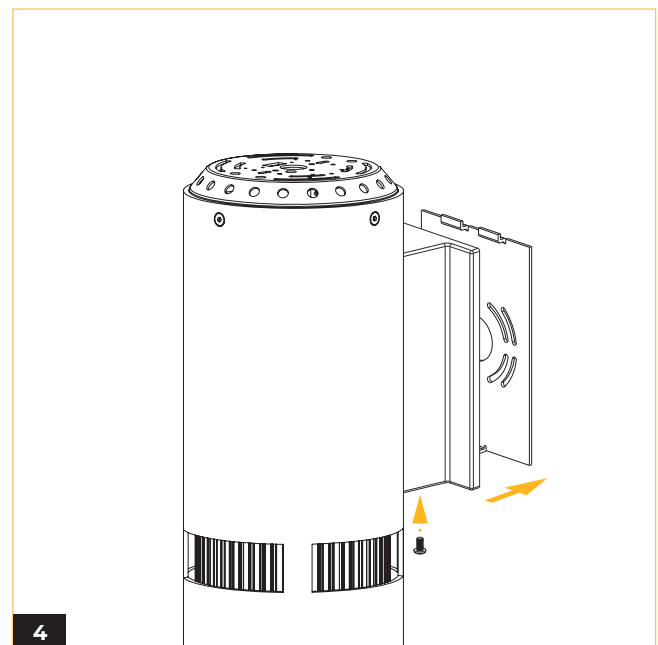
Detach mounting plate from cylinder.



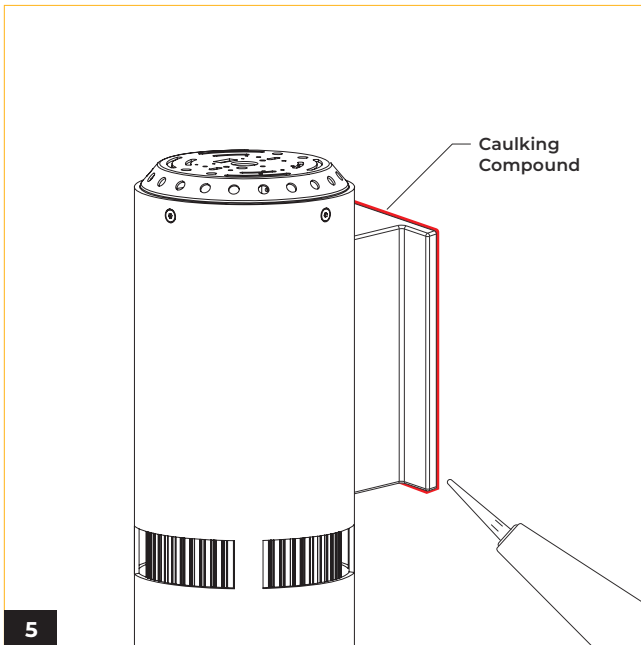
Attach mounting plate to junction box with screws from junction box (by others).



Make electrical connections depending on dimming type (see wiring diagram).



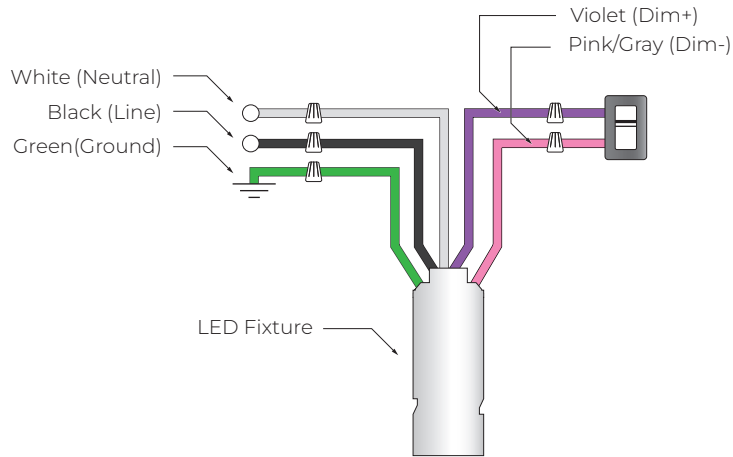
Attach cylinder fixture to mounting plate and secure by tightening the screw.



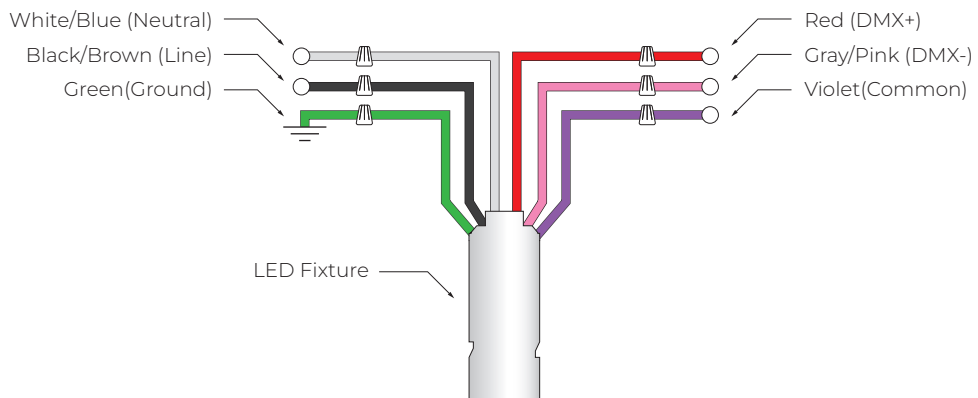
Fixtures used in wet locations, place a bead of silicone-based caulk along where the mounting bracket meets the wall on the top and on each side.

## WIRING DIAGRAM

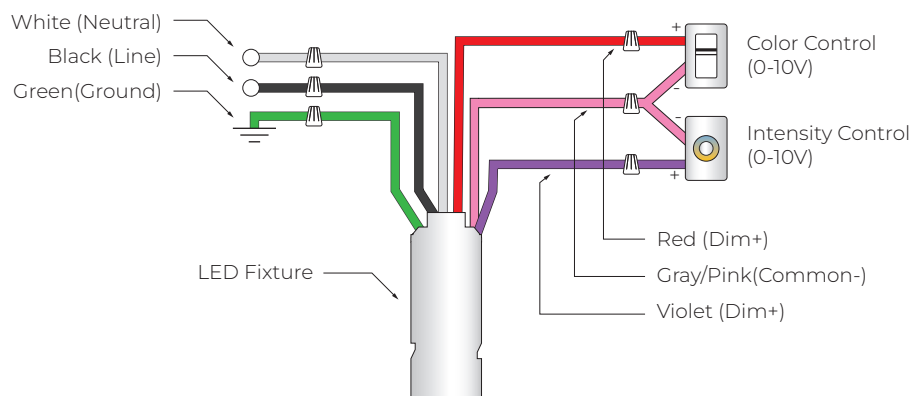
STV / SPV / WDIM SPV / DALI



DMX ( WHT / WDIM / TNW / WRGB / HUE )



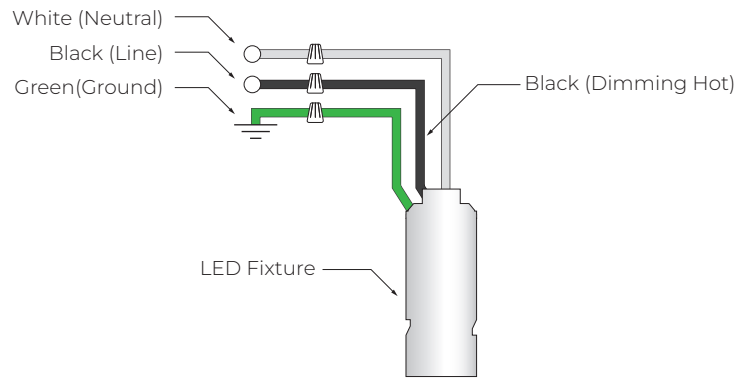
TNW SPV



WIRING DIAGRAM

---

TRC



## WIRING DIAGRAM

---

### Application note : Wiring for DMX/RDM lighting systems

DMX/RDM is a robust and reliable system for lighting control. However, if not implemented correctly, problems can arise such as random flashing of lights, erratic operation and delays in responding to commands. This document explains the best practices in DMX wiring.

#### Important things to consider are:

1. DMX is a three-wire system. Use all three!
2. DMX is based on the EIA-485/RS-485 standard.
3. Always use cable specifically designed for DMX / RS-485. These cables have an impedance of 120Ω and a low capacitance. For instance : Belden 9729 or Belden 9841.
4. DMX must be terminated with a 120Ω resistor to prevent reflections.
5. A daisy chain topology should be used.
6. After 32 unit loads a repeater/booster should be used. (Important : For tunable white fixtures, After "32" unit loads a repeater/booster should be used.)
7. Keep cabling below 200 meters between the controller and the last driver.
8. It is generally considered good practice to provide separate DMX in and DMX out / DMX Thru connections to your fixture to aid in installation. This can be in the form of pigtails, RJ-45 connectors or 5-pin XLR connectors.
9. Use twisted pair cables with an impedance of 120Ω and a low capacitance.
10. UTP Cat5 or Cat6 network cable can also be used but have a slightly lower impedance of 100Ω.
11. If shielded cable is used, only connect shield to ground on one side (typically, the controller should have its shield terminal connected to ground).
12. Not following the above recommendations may seem to work at first, but can cause problems. Sometimes after weeks of seemingly normal operation.