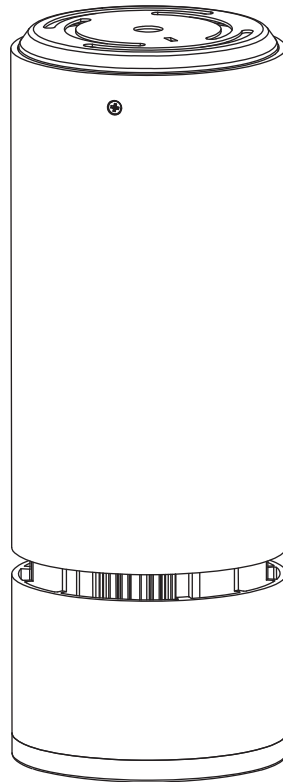


# ATRIA II 4

INSTALLATION GUIDE  
STEM MOUNT



## **IMPORTANT SAFETY INFORMATION** READ AND FOLLOW ALL SAFETY INSTRUCTIONS

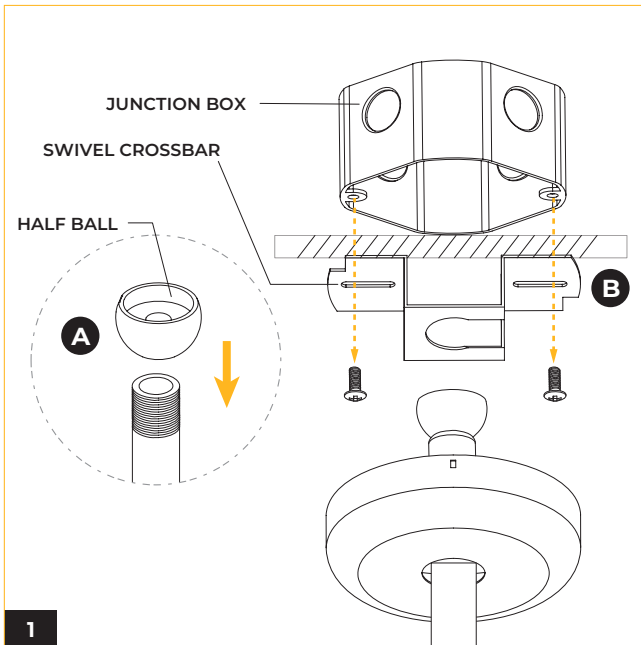
---

**FOR FIELD ASSISTANCE PLEASE CALL  
+1-213-255-2060 #4**

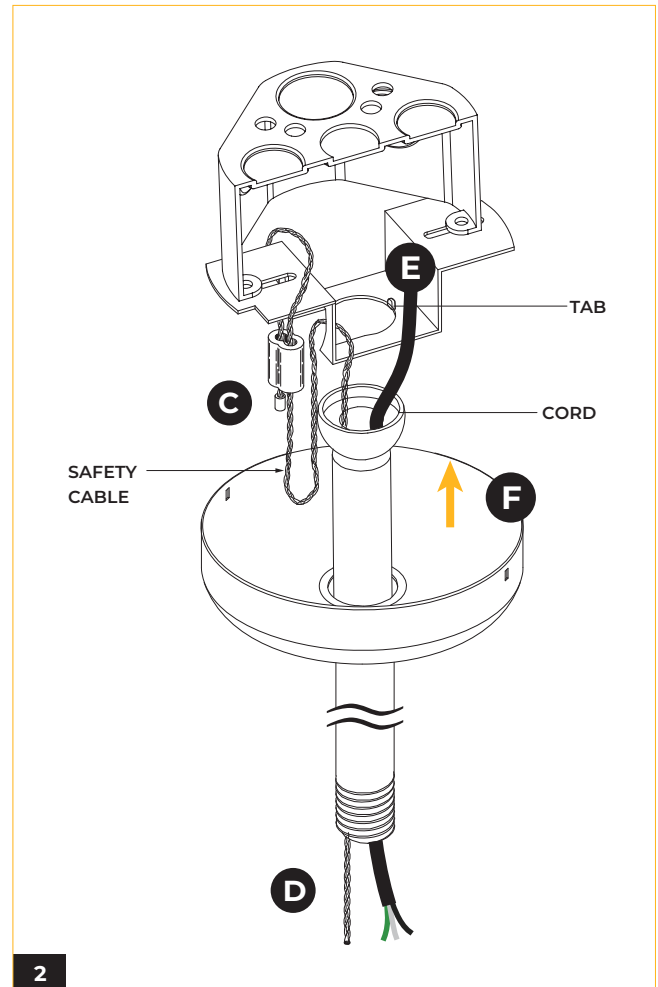
---

- Before wiring to power supply and during servicing or relamping, turn off power at fuse or circuit breaker.
- All servicing or relamping must be performed by qualified service personnel.
- Product must be grounded to avoid potential electric shock or other potential hazard.
- Product must be installed at locations and heights, in a manner consistent with its intended use, and in compliance with electrical code and local codes.

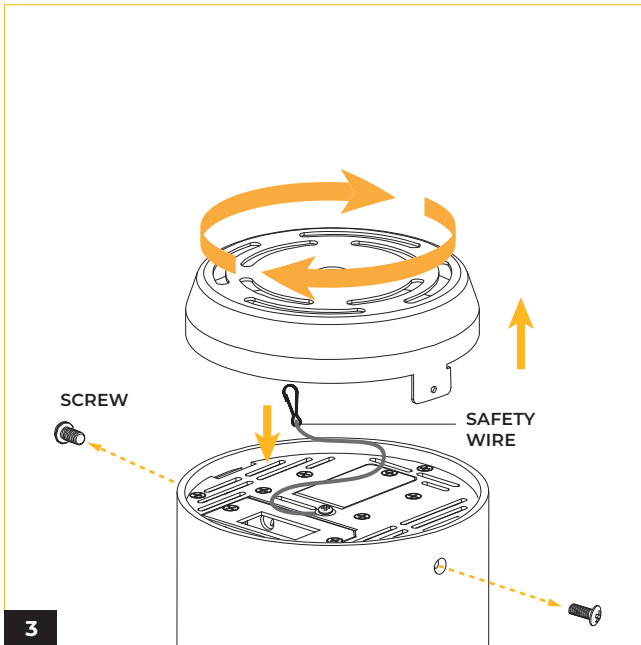
**SAVE THESE INSTRUCTIONS FOR FUTURE REFERENCE**



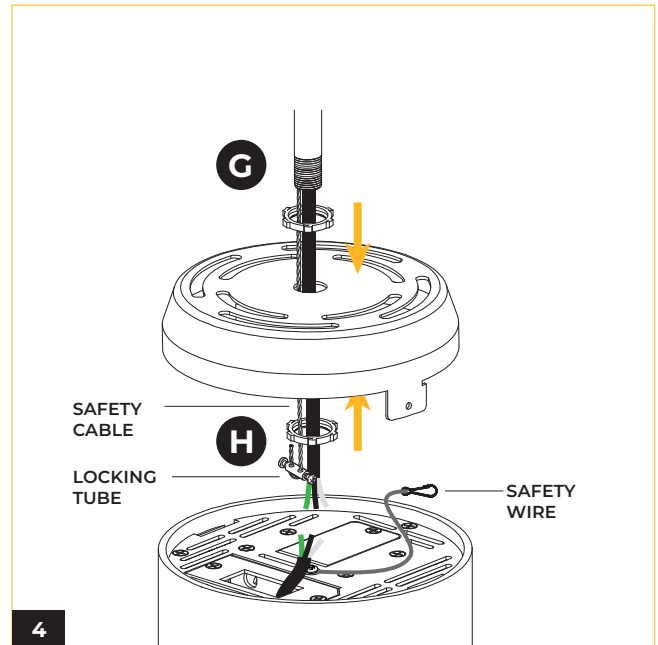
- (A) Secure half ball with stem.
- (B) Attach swivel crossbar to junction box (by others).



- (C) Loop and secure the safety cable around swivel crossbar.
- (D) Feed the safety cable and power cord through the stem and insert the half ball into slot on the swivel crossbar. Align the slot on ball joint with the tab on the swivel crossbar.
- (E) Make electrical connections in junction box. (see below)
- (F) Install canopy cover by aligning the tabs on crossbar with slots in the cover.

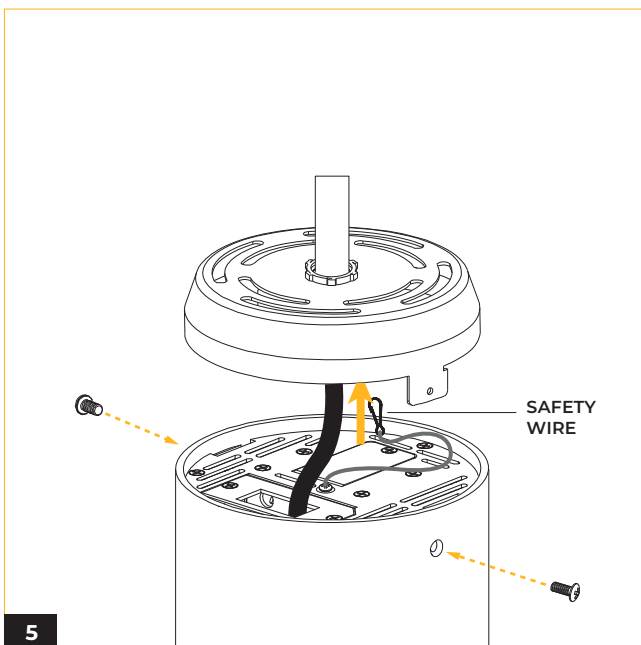


Loosen two screws on the side of the fixture. Twist and lift up the lid from cylinder. Unhook the safety wire from cylinder to detach the lid.

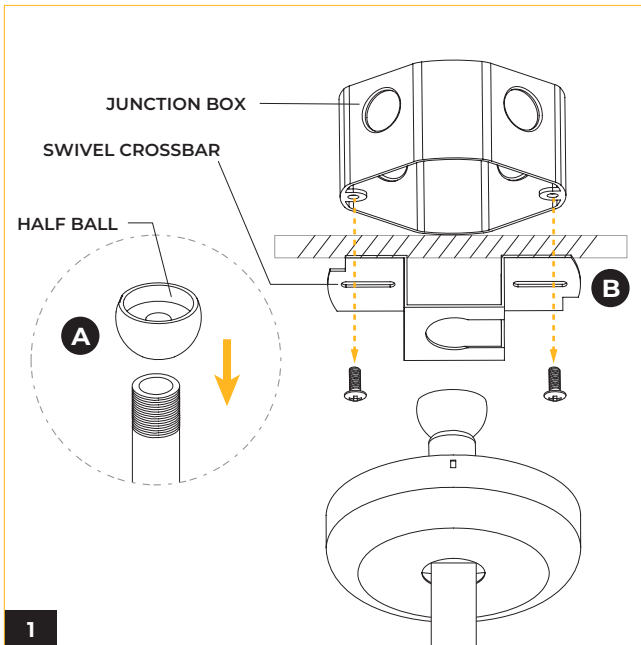


**(G)** Slide stem through lid and screw nuts on both sides of lid. Ensure stem is securely fastened to lid.

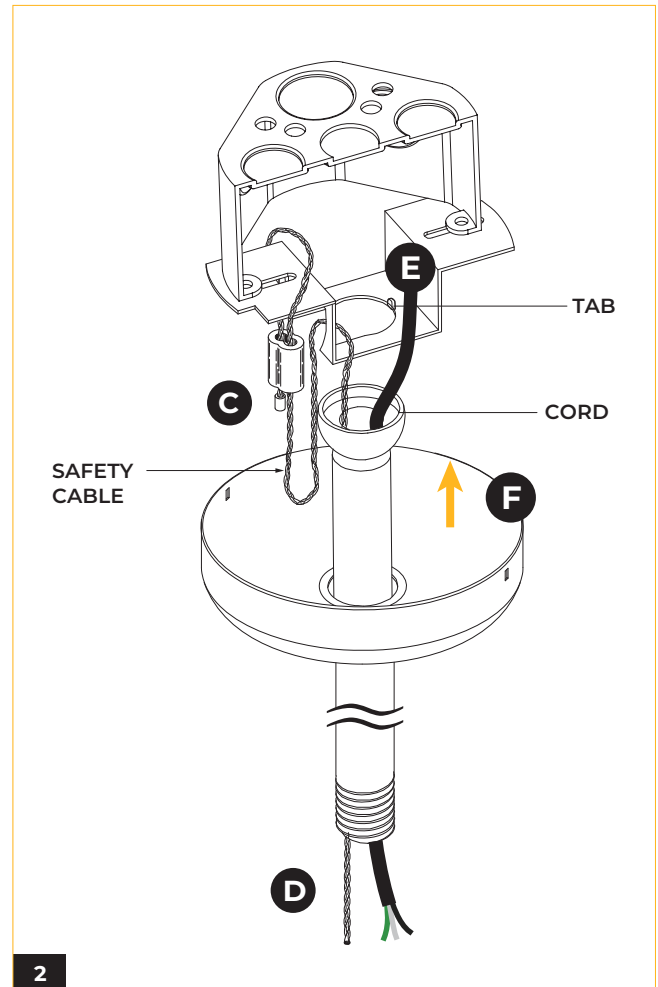
**(H)** Insert the safety cable through cable slot on lid and loop the cable using locking tube on the other side of stem and tighten the screws. Make electrical connections inside the fixture.



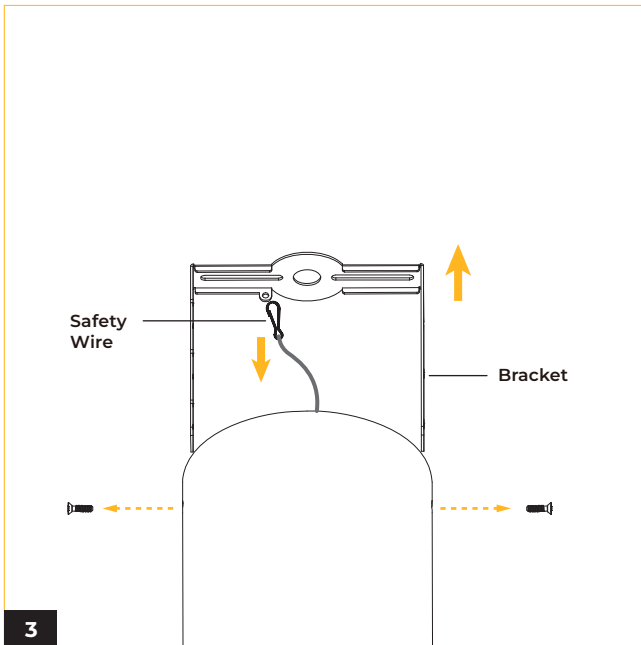
Hook the safety wire. Replace lid and secure two screws.



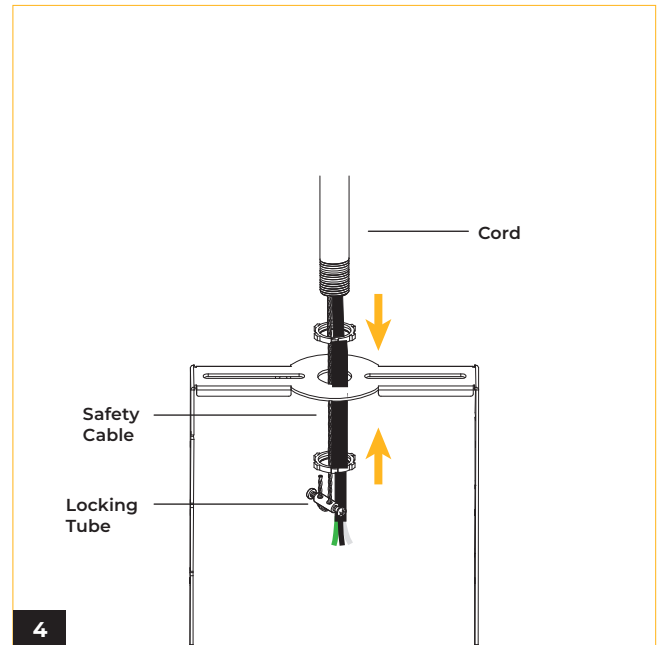
- (A) Secure half ball with stem.
- (B) Attach swivel crossbar to junction box (by others).



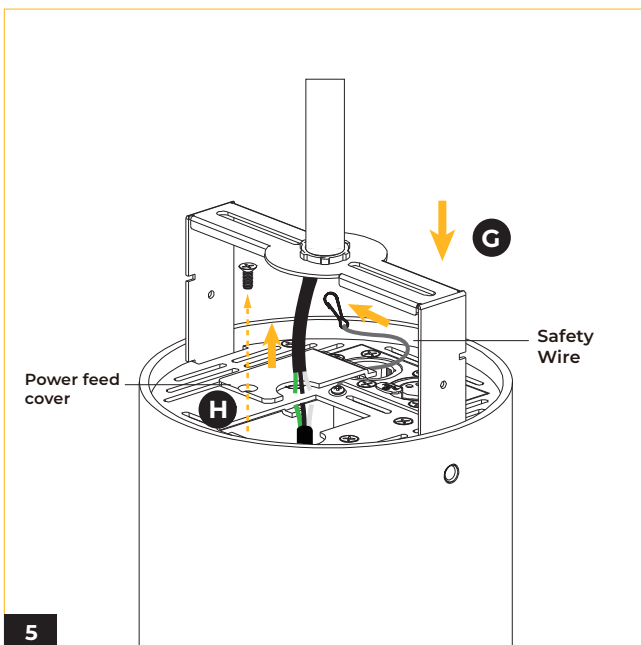
- (C) Loop and secure the safety cable around swivel crossbar.
- (D) Feed the safety cable and power cord through the stem and insert the half ball into slot on the swivel crossbar. Align the slot on ball joint with the tab on the swivel crossbar.
- (E) Make electrical connections in junction box. (see below)
- (F) Install canopy cover by aligning the tabs on crossbar with slots in the cover.



Loosen two screws on the side of fixture and unhook the safety wire. Remove the bracket from fixture.

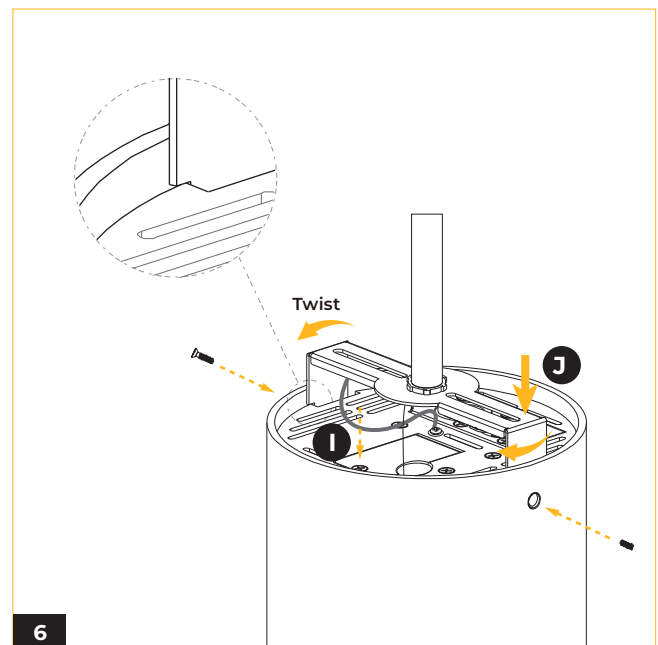


Slide stem through bracket and screw nuts on both sides of bracket. Ensure stem is securely fastened to bracket. Insert the safety cable through cable slot on bracket and loop the cable using locking tube on the other side of stem and tighten the screws.



**(G)** Insert bracket into fixture, hook safety wire to bracket.

**(H)** Loosen the screw and remove the power feed cover

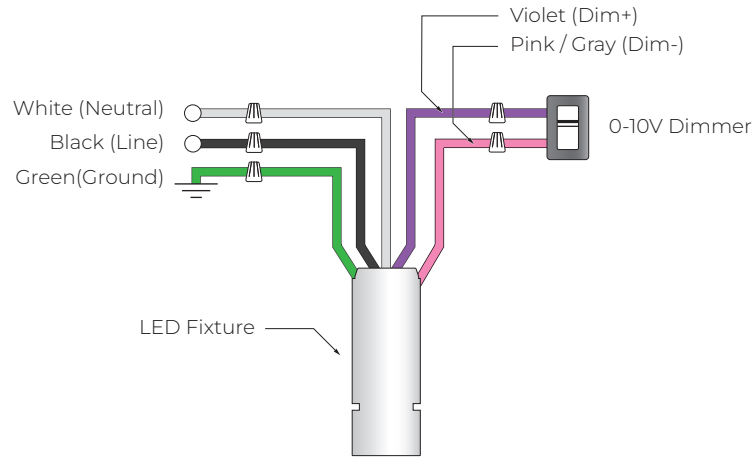


**(I)** Secure power feed cover on the lid.

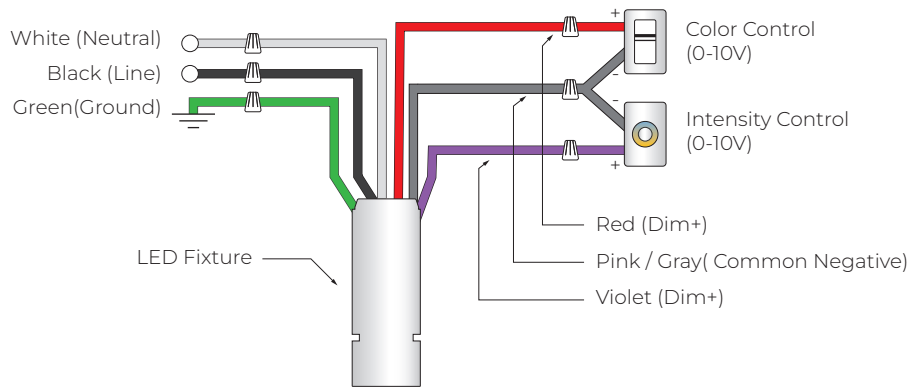
**(J)** Adjust the height of bracket by aligning the slots in bracket to the lid. See DMX bracket diagram below. Twist the bracket and secure by screws.

**WIRING DIAGRAM**

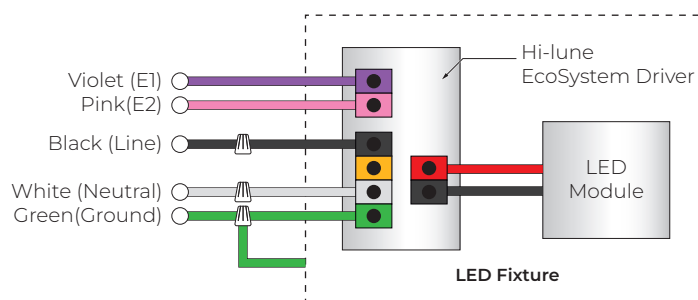
**STV / SPV 0-10V**



**SPV 0-10V (Tunable White)**

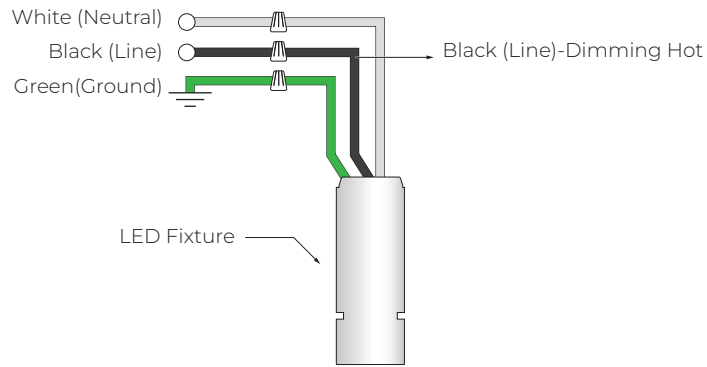


**LDE1**

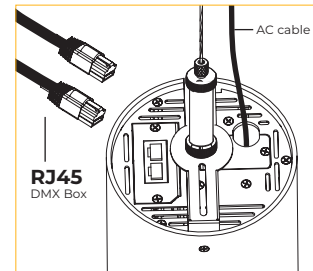
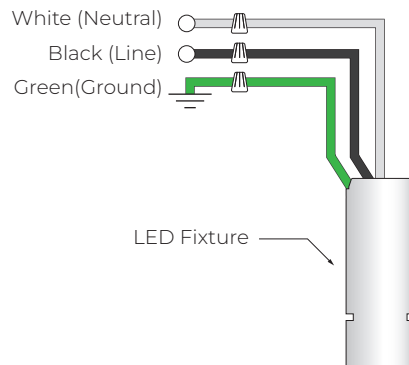


WIRING DIAGRAM

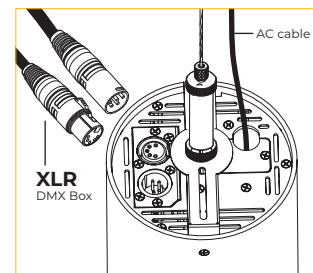
TRC



DMX / DMX (Tunable White)



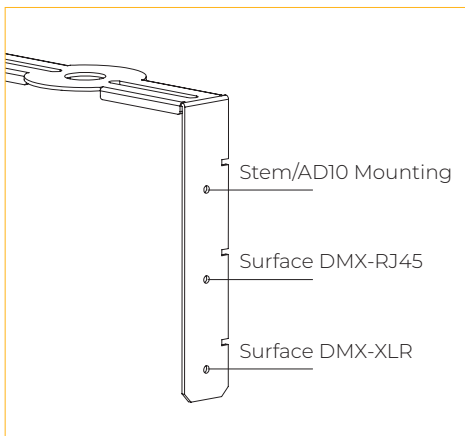
Connect DMX by using a standard shielded CAT 5/6 cable.



Connect DMX by using a standard DMX512 XLR cable with 5 pin in/out connector (by others).

**\*The last fixture has to be terminated with a DMX Terminator (by others).**

DMX Bracket Diagram



## NOTES

---

### Application note : Wiring for DMX/RDM lighting systems

DMX/RDM is a robust and reliable system for lighting control. However, if not implemented correctly, problems can arise such as random flashing of lights, erratic operation and delays in responding to commands. This document explains the best practices in DMX wiring.

#### Important things to consider are:

1. DMX is a three-wire system. Use all three!
2. DMX is based on the EIA-485/RS-485 standard.
3. Always use cable specifically designed for DMX / RS-485. These cables have an impedance of 120Ω and a low capacitance. For instance : Belden 9729.
4. DMX must be terminated with a 120Ω resistor to prevent reflections.
5. A daisy chain topology should be used.
6. After 32 unit loads a repeater/booster should be used. (Important : For Tunable White fixtures, After "32" unit loads a repeater/booster should be used.)
7. Keep cabling below 200 meters between the controller and the last driver.
8. It is generally considered good practice to provide separate DMX in and DMX out / DMX Thru connections to your fixture to aid in installation. This can be in the form of pigtails, RJ-45 connectors or 5-pin XLR connectors.
9. Use twisted pair cables with an impedance of 120Ω and a low capacitance.
10. UTP Cat5 or Cat6 network cable can also be used but have a slightly lower impedance of 100Ω.
11. If shielded cable is used, only connect shield to ground on one side (typically, the controller should have its shield terminal connected to ground).
12. Not following the above recommendations may seem to work at first, but can cause problems. Sometimes after weeks of seemingly normal operation.