

ATRIA 8

SPECIFICATION SHEET
WARM DIM

HIGH-PERFORMANCE VERSATILE CYLINDER

Housing

Diameter : Ø8.1" | Height : 21.5" | Weight : 20 lbs

Material

Housing: High Pressure Die-Cast Aluminum
Optics: Metal Reflector

Power Input

80W, 100W, 130W, 160W | 120-277V

Lumen Output

5,480 lm (80W), 6,860 lm (100W), 8,920 lm (130W), 10,970 lm (160W)

Dimming

Superior 0-10V: Dims to 1%
DMX: High resolution dims to 0.1% (Supports ANSI E1.20 RDM protocol)

Color Quality

CRI 85

Rated Life

> 100,000 Hours (L70)

Finish



Black



White

Color Temperature



ColorFlip™ Warm Dim
1900K ↔ 3000K

Optics



30°



45°



55°



Wide

Mounting



Stem Mount



Adjustable Cable



Yoke Mount



Wall Mount



Surface Mount

Warranty

5 Year limited warranty

Listing



Powerful color changing performance in a new smaller form factor.

The Atria 8 cylinder is a new high-performing cylinder addition to the series, that features Colorflip™ Warm Dim, offering dynamic warm white control from 1900K ↔ 3000K.

It boasts a delivered lumen package of 5,480 lm to 10,970 lm, and is available in both 0-10V, and DMX dimming controls. The Atria 8 is perfectly suited to hospitality, ball rooms, convention centers, and theatrical applications.



METEOR

meteor-lighting.com

SPECIFICATION

PROJECT NAME	DATE
<input type="text"/>	<input type="text"/>
CATALOG #	QUANTITY
<input type="text"/>	<input type="text"/>

The product configurator function on this page works only with the latest version of Chrome or Adobe Acrobat Reader.

<input type="checkbox"/> AS8	MODEL	ATRIA 8		
<input type="checkbox"/>	WATTAGE	80 80W 160 160W	100 100W	130 130W
<input type="checkbox"/> WDIM	CCT / CRI	WDIM 1900K-3000K		
<input type="checkbox"/> UNV	VOLTAGE	UNV 120 – 277V		
<input type="checkbox"/>	DIMMING	SPV Superior 0-10V dims to 1%, dim to black	DMX DMX dims to 0.1% (XLR Sockets)	DMXR DMX dims to 0.1% (RJ45 Sockets)
<input type="checkbox"/>	BEAM ANGLE	30 30° WD¹ Wide	45 45°	55 55°
<input type="checkbox"/>	FINISH	BLK Black	WHT White	
<input type="checkbox"/>	RIM FINISH	STD Standard	GLR Glowing Ring	
<input type="checkbox"/>	MOUNTING	ST2 Stem 2ft SAD10 Sloped Adjustable Cable 10ft SUM Surface Mount	ST4 Stem 4ft YKM Yoke Mount	AD10 Adjustable Cable 10ft WLM² Wall Mount
<input type="checkbox"/>	ACCESSORIES	SPD³ Surge Protector FCS Field Cut Stem Adapter Kit	HC⁴ Honeycomb Louver	CT⁵ Conduit Mount

CLEAR FORM

¹ Please factor in change in lumen output of -20% with WD
² Wall Mount DMX does not include XLR / RJ45 sockets
³ Surge protector for up to 10KV. Applicable for unstable mains or facilities using high power machineries
⁴ Please factor in change in lumen output of -30%
⁵ CT only compatible with ST and AD mounting types

TECHNICAL DETAILS

Electrical

- 5,480 lm (80W), 6,860 lm (100W), 8,920 lm (130W), 10,970 lm (160W)
- Power Input: Universal (120-277V)
- Operating Temperature: -13°F~112°F
- Surge Protection: Built-in is 4KV
- Power Factor Greater than 0.9

LED Features

- ColorFlip™ Warm Dim 1900K ↔ 3000K
- CRI 85
- Long lasting LED luminaire tested under TM21 lumen maintenance L70 @ 100,000 Hrs
- Lumen Maintenance > 0.90 at 60,000 hours

Optics

- Aluminum Reflector
- Beam Angle: 30°, 45°, 55°, WD

Advanced Dimming

- Proprietary VX Driver™ is incorporated to all dimming options for video flicker-free lighting
- Superior 0-10V: Dims to 1 %
- DMX: High resolution dims to 0.1% (Supports ANSI E1.20 RDM protocol)

Housing

- Diameter: Ø8.1"
- Height: 21.5"
- Material: High Pressure Aluminum, Metal Reflector
- Weight: 20 lbs

Mounting

- Stem 2ft or 4ft; 45° Swivel Canopy Included
- Adjustable Cable 10ft
- Sloped Adjustable Cable 10ft
- Surface Mount
- Yoke Mount
- Wall Mount

Warranty

- 5-year limited warranty

Listing

- ETL Damp Location Listed
- CE
- UKCA
- FCC

PERFORMANCE SUMMARY*

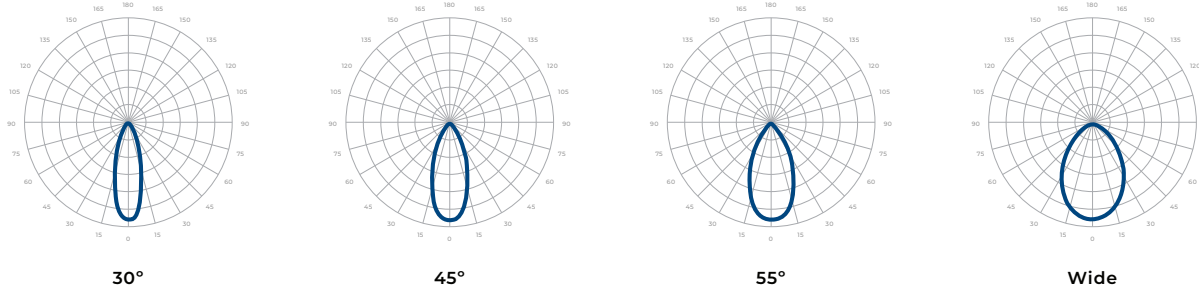
Warm Dim	1900K					3000K
DMX CCT Signal (%)	7%	20%	40%	60%	80%	100%
0-10V CCT Voltage	0.7	2	4	6	8	10
80W	50lm	200lm	820lm	1,930lm	3,370lm	5,480lm
100W	60lm	250lm	1,020lm	2,410lm	4,220lm	6,860lm
130W	80lm	320lm	1,330lm	3,140lm	5,490lm	8,920lm
160W	100lm	400lm	1,640lm	3,860lm	6,750lm	10,970lm

*Beam Angle: 55° *Tolerance ±8%

Current Consumption		
WATTAGE / VOLT	120V	277V
80W	0.73A	0.32A
100W	0.91A	0.39A
130W	1.2A	0.52A
160W	1.5A	0.64A

PHOTOMETRICS

Below is a typical photometric representation of the Atria 8 fixture. Please download IES files to ensure exact photometric value.

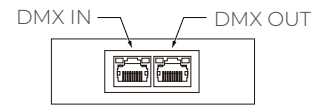


DMX REQUIREMENTS

The Atria 8 fixture with DMX is a **single channel dmx** unit that dims both intensity and color temperature between 1900K <-> 3000K. When placing an order, please indicate DMX address. (The DMX address will be listed on the back of the fixture). Do not connect more than 32 fixtures per DMX daisy chain.

The fixture can be connected with RJ45 or XLR sockets. DMX cables **are not** included; please refer to compatible DMX cabling list for more information. The final fixture on each daisy chain should be terminated by the use of a DMX terminator purchased from a 3rd party or from Meteor.

CONNECTION	RJ45 (CAT5e)	5-PIN XLR
Common	WHITE/BROWN(PIN7) & BROWN (PIN 8)	PIN 1
Signal -	ORANGE (PIN 2)	PIN 2
Signal +	WHITE/ORANGE (PIN 1)	PIN 3
Spare	-	PIN 4
Spare	-	PIN 5



RJ45 Sockets



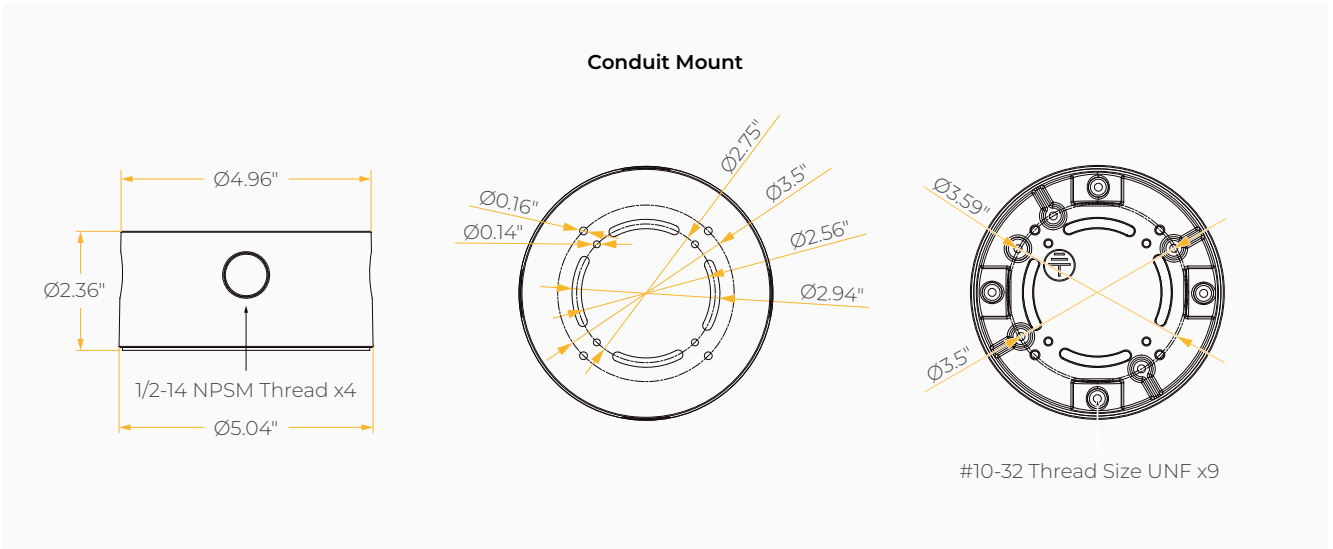
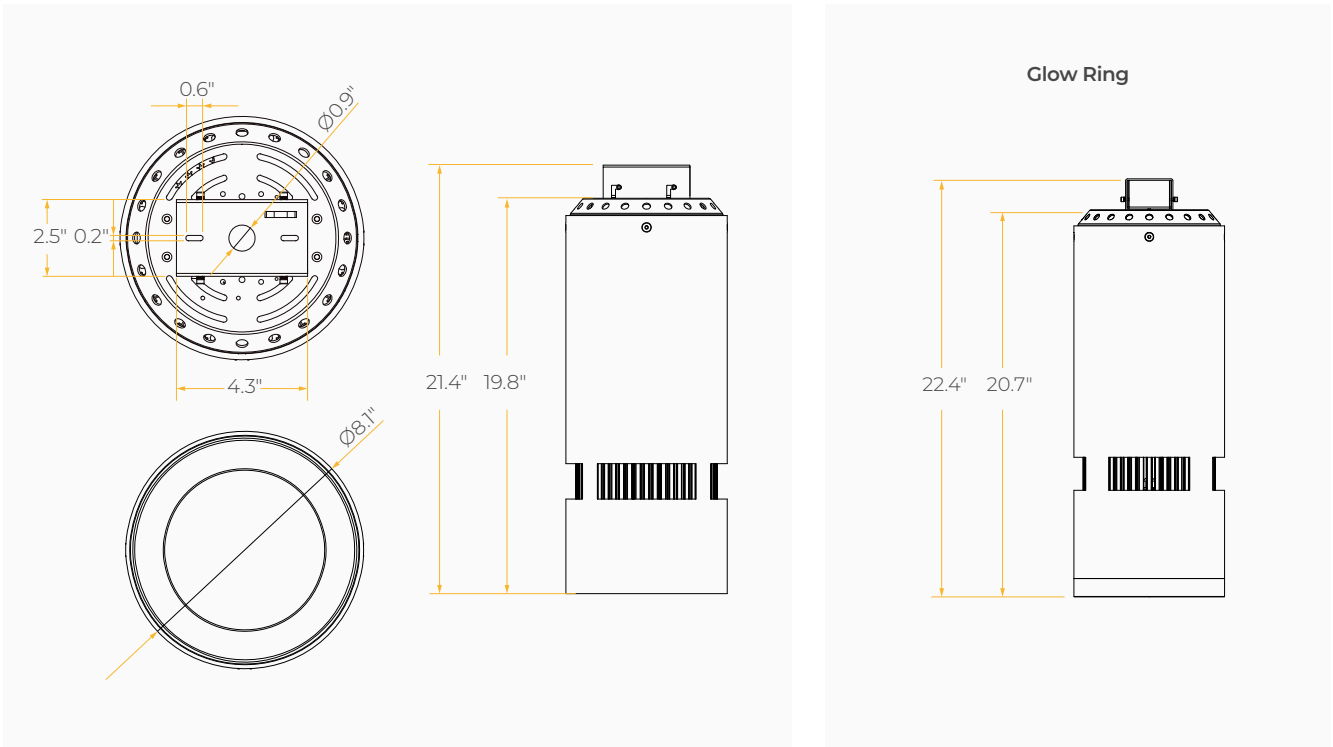
XLR Sockets

COMPATIBLE DMX CABLING LIST

DMX uses a cable consisting of two twisted pairs plus a shield to carry data. The cable must be specifically impedance matched for the digital DMX signal, meaning that microphone cable or other non-rated cable **must not be used to carry DMX**. Network cable (Cat5, 5e or 6 cable) may be used to carry DMX in an installation; however special consideration must be given to shielding and termination. Under no circumstances should solid core cable like Cat5 be terminated into a screw down connector.

Meteor recommends the use of Belden 9729 or Belden 9841 for DMX installation. Belden 9729/9841 is a shielded twisted pair cable, which allows for a spare pair for 'out and back' type terminations if needed.

DIMENSIONS



MOUNTING OPTIONS

*Junction box not included

