

# ATRIA 8

HIGH-PERFORMANCE VERSATILE CYLINDER

SPECIFICATION SHEET  
TUNABLE WHITE

## Housing

Diameter : Ø8.1" | Height : 21.5" | Weight : 20 lbs

## Material

Housing: High Pressure Die-Cast Aluminum  
Optics: Metal Reflector

## Power Input

80W, 100W, 130W, 160W | 120-277V

## Lumen Output

5,940 lm (80W), 7,430 lm (100W), 9,660 lm (130W), 11,890 lm (160W)

## Dimming

Superior 0-10V: Dims to 1%  
DMX: High resolution dims to 0.1% (Supports ANSI E1.20 RDM protocol)

## Color Quality

CRI 85

## Rated Life

> 60,000 Hours (L70)

## Finish



Black



White

## Color Temperature



ColorFlip™ Tunable White  
2700K ↔ 6500K

## Optics



30°



45°



55°



Wide

## Mounting



Stem Mount



Adjustable Cable



Yoke Mount



Wall Mount



Surface Mount

## Warranty

5 Year limited warranty

## Listing



Powerful color changing performance in a new smaller form factor.

The Atria 8 cylinder is a new high-performing cylinder addition to the series, that features Colorflip™ Tunable White, offering dynamic white control from 2700K ↔ 6500K.

It boasts a delivered lumen package of 5,940 lm to 11,890 lm, and is available in both 0-10V, and DMX dimming controls. The Atria 8 is perfectly suited to auditoriums, convention centers, houses of worship and theatrical applications.



METEOR

meteor-lighting.com

**SPECIFICATION**

PROJECT NAME

DATE

CATALOG #

QUANTITY

<b>AS8</b>	MODEL	<b>ATRIA 8</b>		
	WATTAGE	<b>80</b> 80W <b>160</b> 160W	<b>100</b> 100W	<b>130</b> 130W
<b>TNW</b>	CCT / CRI	<b>TNW</b> 2700K-6500K		
<b>UNV</b>	VOLTAGE	<b>UNV</b> 120 – 277V		
	DIMMING	<b>SPV</b> Superior 0-10V dims to 1%, dim to black	<b>DMX</b> DMX dims to 0.1% (XLR Sockets)	<b>DMX(RJ45)</b> DMX dims to 0.1% (RJ45 Sockets)
	BEAM ANGLE	<b>30</b> 30° <b>WD<sup>1</sup></b> Wide	<b>45</b> 45°	<b>55</b> 55°
	FINISH	<b>BLK</b> Black	<b>WHT</b> White	
	RIM FINISH	<b>STD</b> Standard	<b>GLR</b> Glow Ring	
	MOUNTING	<b>ST2</b> Stem 2ft <b>SAD10</b> Sloped Adjustable Cable 10ft <b>SUM</b> Surface Mount	<b>ST4</b> Stem 4ft <b>YKM</b> Yoke Mount	<b>AD10</b> Adjustable Cable 10ft <b>WLM<sup>2</sup></b> Wall Mount
	ACCESSORIES	<b>NO</b> No Accessories <b>CT<sup>5</sup></b> Conduit Mount	<b>SPD<sup>3</sup></b> Surge Protector <b>FCS</b> Field Cut Stem Adapter Kit	<b>HC<sup>4</sup></b> Honeycomb Louver

<sup>1</sup> Please factor in change in lumen output of -20% with WD

<sup>2</sup> Wall Mount DMX does not include XLR / RJ45 sockets

<sup>3</sup> Surge protector for up to 10KV. Applicable for unstable mains or facilities using high power machineries

<sup>4</sup> Please factor in change in lumen output of 30%

<sup>5</sup> CT only compatible with ST and AD mounting types

**TECHNICAL DETAILS**

**Electrical**

- 5,940 lm (80W), 7,430 lm (100W), 9,660 lm (130W), 11,890 lm (160W)
- Power Input: Universal (120-277V)
- Operating Temperature: -13°F~112°F
- Surge Protection: Built-in is 4KV
- Power Factor Greater than 0.9
- Emergency Pack with Mounting Plate: Bodine BSL20B2UEK55C1119

**LED Features**

- ColorFlip™ Tunable White 2700K ↔ 6500K
- CRI 85
- Long lasting LED luminaire tested under TM21 lumen maintenance L70 @ 100,000 Hrs
- Lumen Maintenance > 0.90 at 60,000 hours

**Optics**

- Aluminum Reflector
- Beam Angle: 30°, 45°, 55°, WD

**Advanced Dimming**

- Proprietary VX Driver™ is incorporated to all dimming options for video flicker-free lighting
- Superior 0-10V: Dims to 1 %
- DMX: High resolution dims to 0.1% (Supports ANSI E1.20 RDM protocol)

**Housing**

- Diameter: Ø8.1"
- Height: 21.5"
- Material: High Pressure Aluminum, Metal Reflector
- Weight: 20 lbs

**Mounting**

- Stem 2ft or 4ft; 45° Swivel Canopy Included
- Adjustable Cable 10ft
- Sloped Adjustable Cable 10ft
- Surface Mount
- Yoke Mount
- Wall Mount

**Warranty**

- 5-year limited warranty

**Listing**

- ETL Wet Location Listed
- CE
- UKCA
- FCC

**PERFORMANCE SUMMARY\***

ColorFlip™	2700K	3000K	3500K	4000K	4500K	5000K	5700K	6500K
<b>DMX</b> CCT Signal (%)	0%	10%	25%	45%	60%	70%	85%	100%
<b>0-10V</b> CCT Voltage	0	1	2.5	4.5	6	7	8.5	10
<b>80W</b>	5,300lm	5,500lm	5,720lm	5,940lm	5,880lm	5,820lm	5,760lm	5,700lm
<b>100W</b>	6,620lm	6,880lm	7,150lm	7,430lm	7,350lm	7,280lm	7,200lm	7,120lm
<b>130W</b>	8,610lm	8,950lm	9,300lm	9,660lm	9,560lm	9,460lm	9,360lm	9,260lm
<b>160W</b>	10,600lm	11,010lm	11,450lm	11,890lm	11,770lm	11,640lm	11,520lm	11,400lm
<b>CRI</b>	<b>85</b>	<b>86</b>	<b>87</b>	<b>88</b>	<b>88</b>	<b>87</b>	<b>86</b>	<b>85</b>

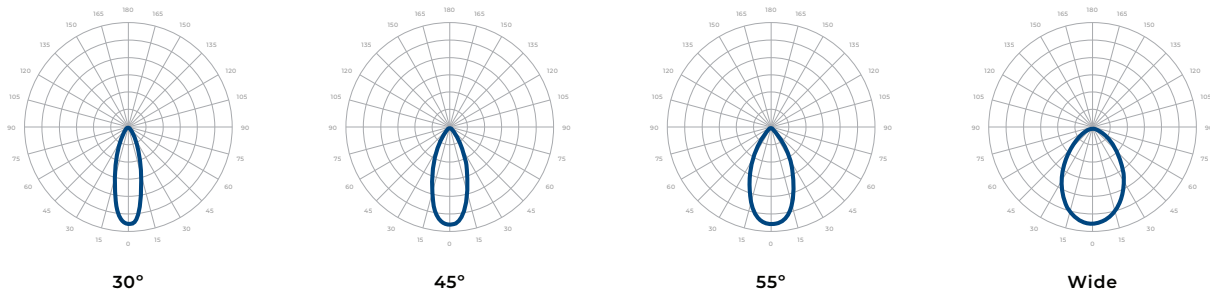
\*Beam Angle 55° Tolerance±8%

**PERFORMANCE SUMMARY**

Current Consumption		
WATTAGE / VOLT	120V	277V
<b>80W</b>	0.73A	0.32A
<b>100W</b>	0.91A	0.39A
<b>130W</b>	1.2A	0.52A
<b>160W</b>	1.5A	0.64A

**PHOTOMETRICS**

Below is a typical photometric representation of the Atria 8 fixture. Please download IES files to ensure exact photometric value.



**DMX REQUIREMENTS**

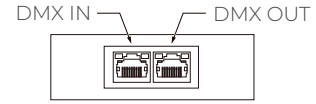
The Atria 8 Tunable White fixture with DMX unit has **two channels** per fixture (1 to control intensity, 1 to control color). When placing an order, please indicate DMX address. (The DMX address will be listed on the back of the fixture). Do not connect more than 32 fixtures per DMX daisy chain.

Fixture	DMX Address	
	Intensity Control (ex. X)	Color Control (ex. X+1)
<b>#1</b>	1	2
<b>#2</b>	3	4
<b>#3</b>	5	6

## DMX REQUIREMENTS

The fixture can be connected with RJ45 or XLR sockets. DMX cables **are not** included; please refer to compatible DMX cabling list for more information. The final fixture on each daisy chain should be terminated by the use of a DMX terminator purchased from a 3rd party or from Meteor.

CONNECTION	RJ45 (CAT5e)	5-PIN XLR
Common	WHITE/BROWN(PIN7) & BROWN (PIN 8)	PIN 1
Signal -	ORANGE (PIN 2)	PIN 2
Signal +	WHITE/ORANGE (PIN 1)	PIN 3
Spare	-	PIN 4
Spare	-	PIN 5



RJ45 Sockets



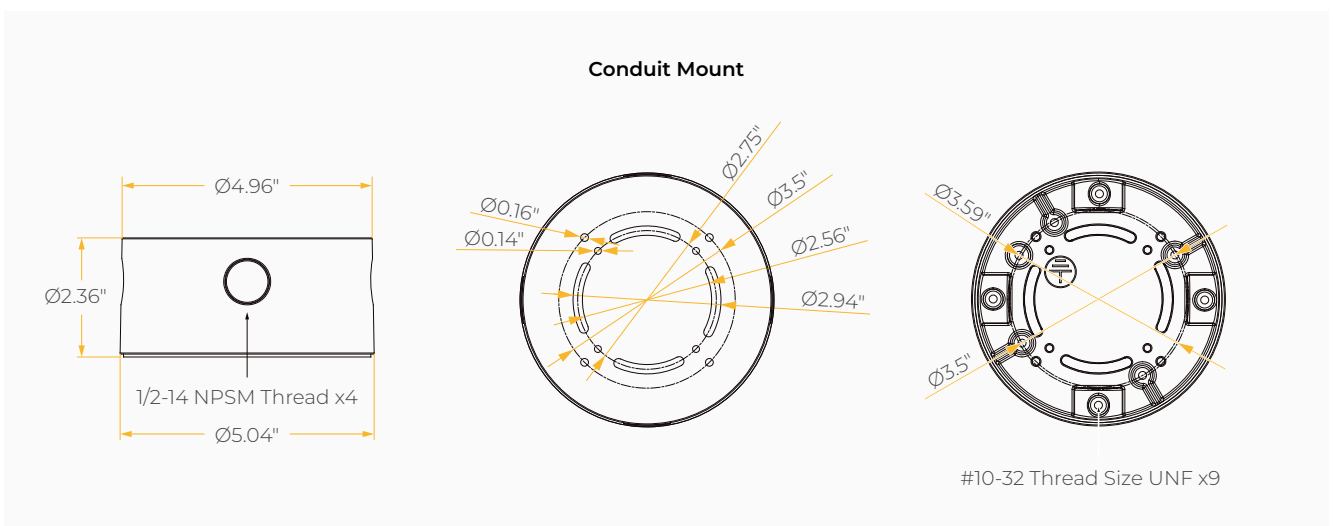
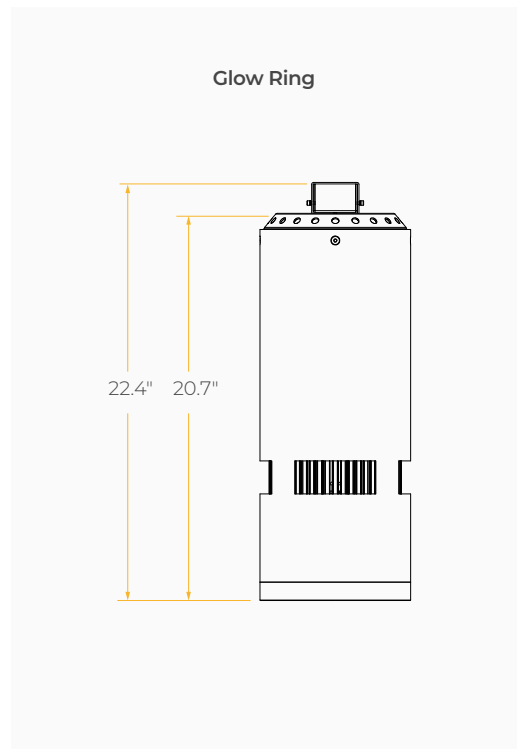
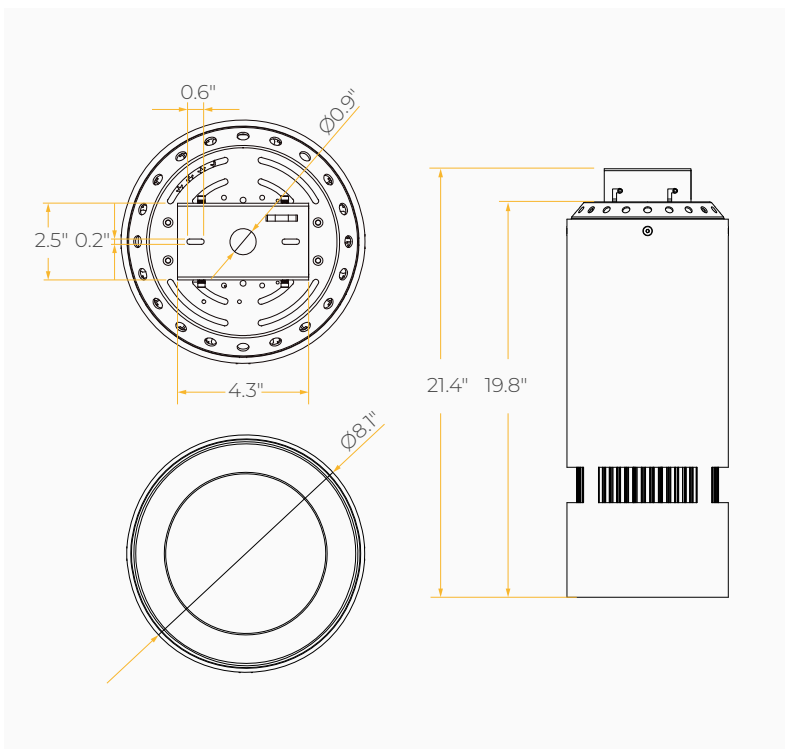
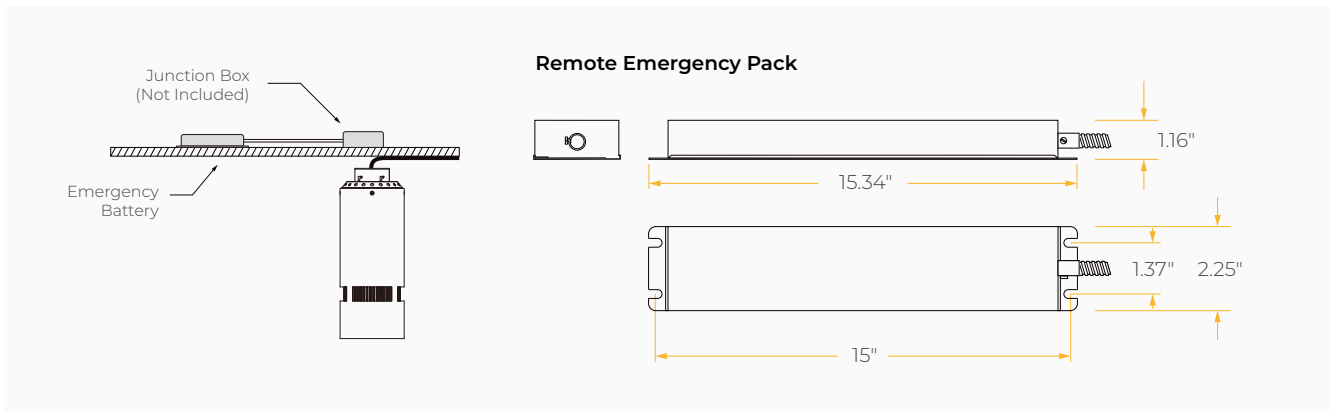
XLR Sockets

## COMPATIBLE DMX CABLING LIST

DMX uses a cable consisting of two twisted pairs plus a shield to carry data. The cable must be specifically impedance matched for the digital DMX signal, meaning that microphone cable or other non-rated cable **must not be used to carry DMX**. Network cable (Cat5, 5e or 6 cable) may be used to carry DMX in an installation; however special consideration must be given to shielding and termination. Under no circumstances should solid core cable like Cat5 be terminated into a screw down connector.

Meteor recommends the use of Belden 9729 for DMX installation. Belden 9729 is a two pair cable, which allows for a spare pair for 'out and back' type terminations if needed.

**DIMENSIONS**



**MOUNTING OPTIONS\***

\*Junction box not included

