

ADVANCED HIGH CEILING

Atria 4 - Standard



Architectural 4-inch aperture cylinder that balances elegant design with best-in-class performance. Lumen package range of 1338 lm – 5650lm. Damp location rated for indoor use only.



| Quantity | Type |
|----------|------|
| Project | Note |

Electrical System

- 1500lm (15W)
- 2205lm (25W)
- 2690lm (35W)
- 4305lm (45W)
- 5650lm (65W)
- Power Input: Universal (120-277V)
- Operating Temperature: -13°F~104°F
- Surge Protection: 2.5KV
- Remote Emergency Pack: Bodine BSL20B2UEK55C1I1
- Power Factor Greater than 0.9

LED Technology

- 2700K, 3000K, 3500K, 4000K
- 85 CRI, 93 CRI
- Beam Angle: 15°, 25°, 35°, 60°, WD
- Glowing Ring Option
- Rated Life > 60,000 Hours (L70)

Advanced Dimming

(Proprietary VX Driver is incorporated to all dimming options for video flicker-free lighting)

- DMX: high resolution dims to 0.1% (Supports ANSI E1.20 RDM protocol)
- Standard 0-10V: dims to 10%
- Superior 0-10V: dims to 1%
- TRC: Line-voltage phase control, dims to 1% (120V only)
- LDE1: Hi-Lume 1% EcoSystem LED Driver with Soft-on, Fade-to-Black (UNV only)
- DALI: dims to 10%

Housing

- Diameter: 4.8" (122mm)
- Height: 12.6" (320mm)
- Material: Aluminum
- Weight: 8 lbs

Mounting

- Surface Mount
- Stem 2ft or 4ft; 45° Swivel Canopy Included
- Adjustable Aircraft Cable 10ft
- Sloped Adjustable Aircraft Cable 10ft
- Catenary Mount
- Yoke Mount
- Wall Mount

Warranty

- 5-year limited warranty

Listing

- Energy Star Rated
- ETL Damp Location Listed
- FCC
- CE



Atria 4 - Standard



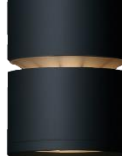


How To Specify:

Ordering Example: AS4-45-408-UNV-DMX-25-STD-BLK-SUM

4-5 weeks lead time on over 75% of specifications.

| Model | Wattage | | CCT / CRI | | Voltage | | Dimming | |
|------------|-----------|-----|------------|---------------|-------------------------|------------------|--|--|
| AS4 | | | | | UNV | | | |
| AS4 | 15 | 15W | 278 | 2700K / CRI85 | UNV | 120-277V | SPV | Superior 0-10V dims to 1% |
| Atria 4 | 25 | 25W | 308 | 3000K / CRI85 | | | STV | Standard 0-10V dims to 10% |
| | 35 | 35W | 358 | 3500K / CRI85 | | | DMX¹ | DMX dims to 0.1% (XLR Sockets) |
| | 45 | 45W | 408 | 4000K / CRI85 | | | DMX(RJ45)¹ | DMX dims to 0.1% (RJ45 Sockets) |
| | 65 | 65W | 279 | 2700K / CRI93 | | | TRC² | Line-voltage phase control, dims to 1% (120V only) |
| | | | 309 | 3000K / CRI93 | | | LDE1² | Hi-Lume 1% EcoSystem LED Driver with Soft-on, Fade-to-Black (UNV only) |
| | | | 359 | 3500K / CRI93 | DALI² | DALI dims to 10% | | |
| | | | | | | | ¹ DMX option not compatible with WLM, 65W | |
| | | | | | | | ² Option is not compatible with 45W, 65W. | |

| Beam Angle | | Finish | | Rim Finish | | Mounting | | Accessories | | |
|------------|------|------------------|------------------|------------------------------|---|---|-----------------------|----------------------------------|---|---|
| 15 | 15° | BLK Black | WHT White | STD Standard Trim |  | SUM Surface Mount | DF* Diffuser | EMP Remote Emergency Pack | *Please factor in change in lumen output with diffuser (-20% with WD; -12% with other degrees). | |
| 25 | 25° | | | | | | | | | ST2 Stem 2ft |
| 35 | 35° | | | | | | | | | ST4 Stem 4ft |
| 60 | 60° | | | | | | | | | AD10 Adjustable Cable 10ft |
| WD* | WIDE | | | | | | | | | SAD10 Sloped Adjustable Cable 10ft |
| | | | | GLR Glow Trim |  | YKM Yoke Mount | | | | |
| | | | | MLT* Mid-Lit Trim | |  | WLM Wall Mount | | | |
| | | | | | | | | | | |
| | | | | *MLT not compatible with 65W | | | | | | |

Atria 4 - Standard

Delivered Lumens*

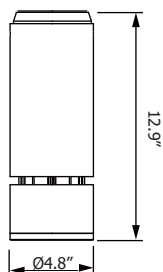
| Wattage \ CCT | 15W | 25W | 35W | 45W | 65W |
|---------------|-----------------|---------|---------|---------|---------|
| | Beam Angle: 25° | | | | |
| 4000K | 1500 lm | 2205 lm | 2690 lm | 4305 lm | 5650 lm |
| 3500K | 1460 lm | 2180 lm | 2620 lm | 4210 lm | 5590 lm |
| 3000K | 1380 lm | 2060 lm | 2480 lm | 3980 lm | 5280 lm |
| 2700K | 1338 lm | 1990 lm | 2400 lm | 3720 lm | 5120 lm |

*Tolerance±8%

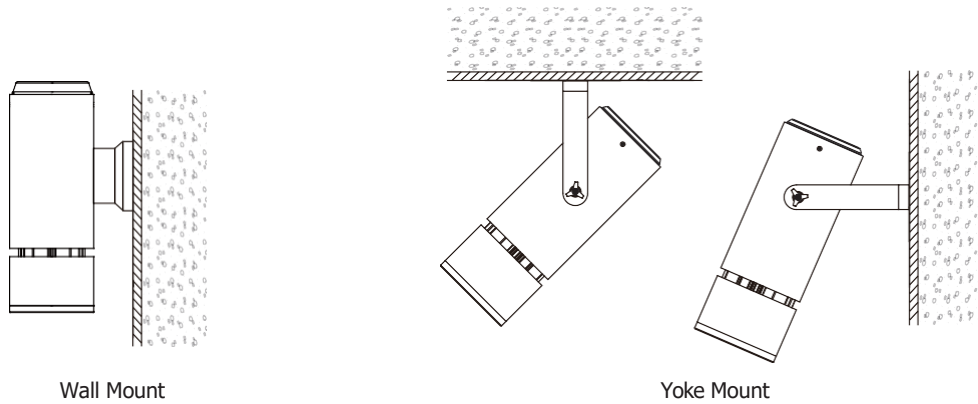
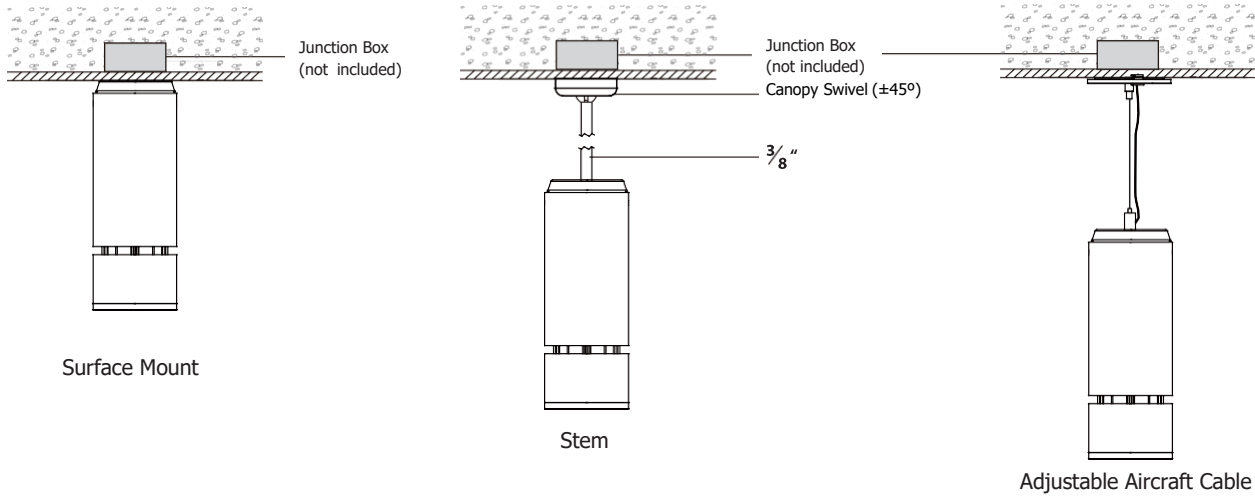
Current Consumption

| Wattage \ Volt | 120V | 277V |
|----------------|-------|-------|
| 15W | 0.17A | 0.08A |
| 25W | 0.23A | 0.11A |
| 35W | 0.34A | 0.15A |
| 45W | 0.45A | 0.20A |
| 65W | 0.64A | 0.29A |

Dimensions



Mounting Options

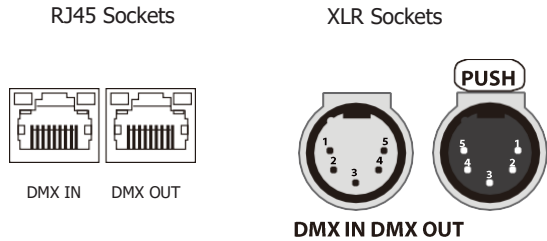


DMX Requirements*

The Atria 4 LED fixture with DMX is a ONE CHANNEL DMX unit.

When placing order, please indicate DMX address. (The DMX address will be listed on the back of the fixture.) The LED fixture provide RJ45 Socket or XLR socket to connect. (DMX cable NOT included.)

The final fixture should be terminated by the use of DMX Terminator (by others).



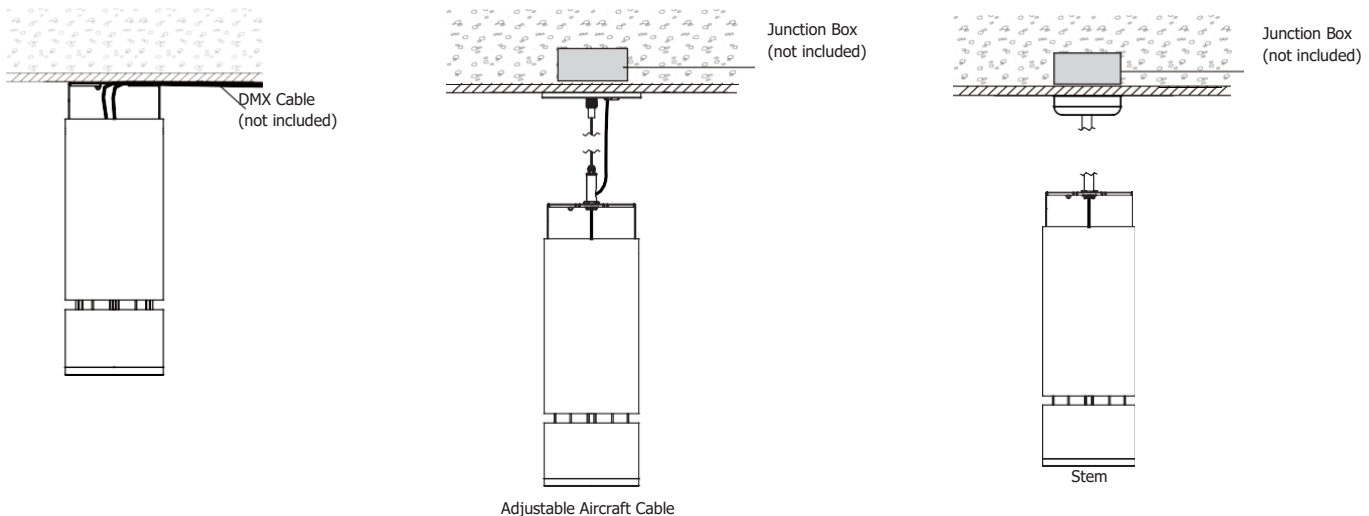
| CONNECTION | RJ45 (CAT5e) | 5-PIN XLR |
|------------|-----------------------------------|-----------|
| Common | WHITE/BROWN(PIN7) & BROWN (PIN 8) | PIN 1 |
| Signal - | ORANGE (PIN 2) | PIN 2 |
| Signal + | WHITE/ORANGE (PIN 1) | PIN 3 |
| Spare | - | PIN 4 |
| Spare | - | PIN 5 |

Compatible DMX Cabling List

DMX uses a cable consisting of two twisted pairs plus a shield to carry data. The cable must be specifically impedance matched for the digital DMX signal, meaning that microphone cable or other non-rated cable **must not be used to carry DMX**. Network cable (Cat5, 5e or 6 cable) may be used to carry DMX in an installation; however special consideration must be given to shielding and termination. Under no circumstances should solid core cable like Cat5 be terminated into a screw down connector.

Meteor recommends the use of Belden 9729 for DMX installation. Belden 9729 is a two pair cable, which allows for a spare pair for 'out and back' type terminations if needed. Below is a list of other compatible Belden cables.

DMX Mounting Configurations



Compatible LTE Dimmer List

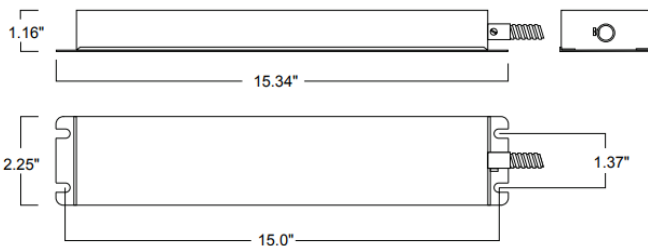
LUTRON PART NO.

| | | | | | | |
|-----------|------------|-----------|----------------|-------------|-----------|-----------|
| RRD-6NA- | RRT-G5NEW- | RRT-GH | HQRD-10ND- | HQRT-GH | HQRD-HN | PD-10NXD- |
| RRD-6ND | RRT-G25LW- | HQRD-6NA- | MRF2-6ND-120- | HQRT-G25LW- | GT-250M- | PD-5NE- |
| RRD-10ND- | RRD-HN | HQRD-6ND- | MRF2S-6ND-120- | HQRT-G5NEW- | GTJ-250M- | |

Emergency Pack Lumen Output Table

| | | | | |
|-------|---------|---------|---------|---------|
| CCT | 2700K | 3000K | 4000K | 5000K |
| Lumen | 1640 lm | 1760 lm | 1890 lm | 1950 lm |

Remote Emergency Pack



Junction Box
(Not included)

Emergency Battery (Indoor only)

