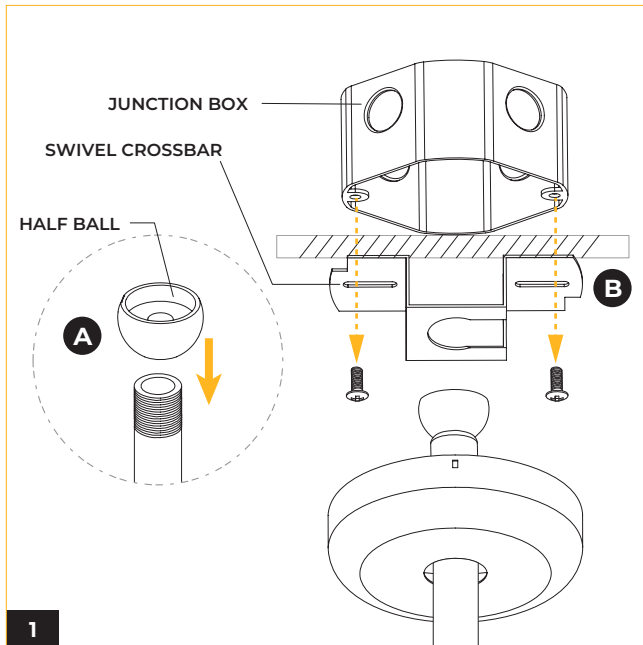


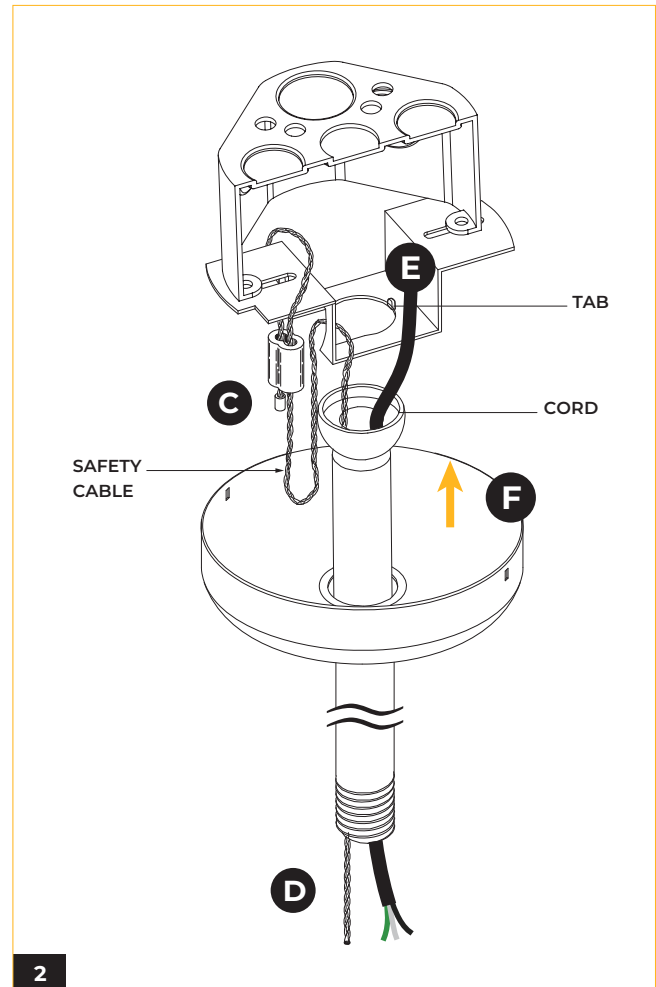
IMPORTANT SAFETY INFORMATION READ AND FOLLOW ALL SAFETY INSTRUCTIONS

- Before wiring to power supply and during servicing or relamping, turn off power at fuse or circuit breaker.
- All servicing or relamping must be performed by qualified service personnel.
- Product must be grounded to avoid potential electric shock or other potential hazard.
- Product must be installed at locations and heights, in a manner consistent with its intended use, and in compliance with Electrical Code and local codes.

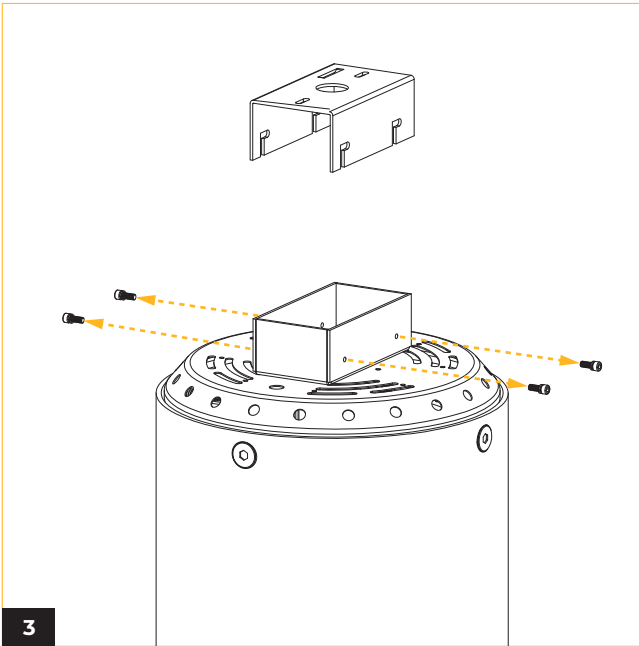
SAVE THESE INSTRUCTIONS FOR FUTURE REFERENCE



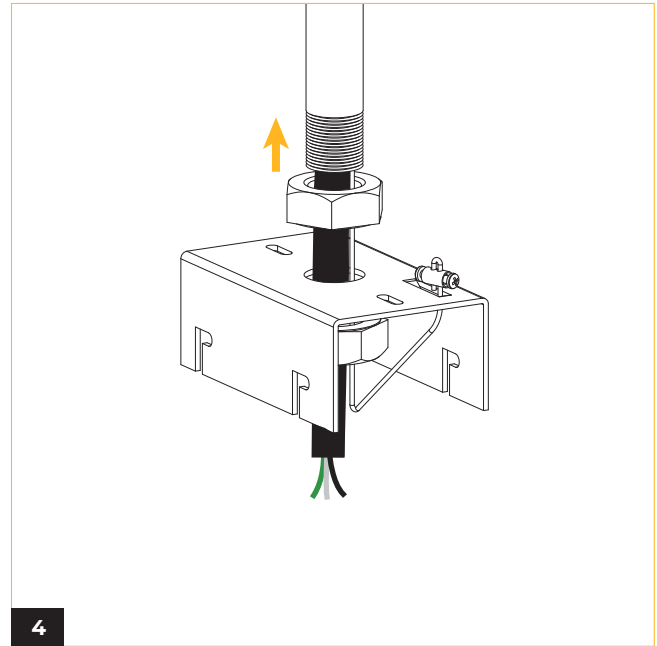
- (A) Secure half ball with stem.
- (B) Attach swivel crossbar to junction box (by others).



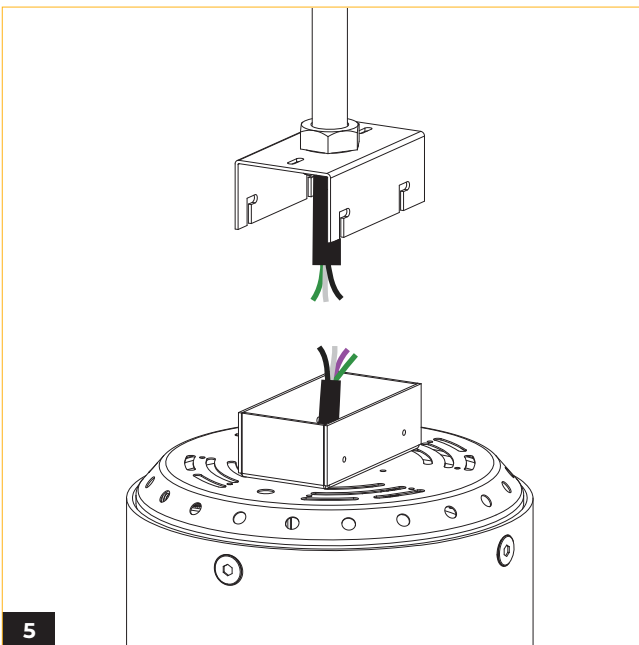
- (C) Loop and secure the safety cable around swivel crossbar.
- (D) Feed the safety cable and power cord through the stem and insert the half ball into slot on the swivel crossbar. Align the slot on ball joint with the tab on the swivel crossbar.
- (E) Make electrical connections in junction box. (Refer to wiring diagram)
- (F) Install canopy cover by aligning the tabs on crossbar with the slots on the canopy plate.



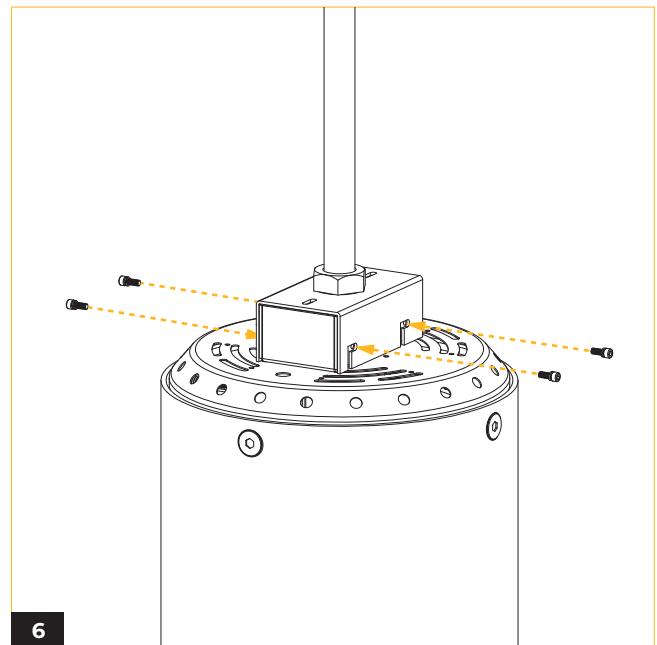
3 Loosen four Phillips screws on the side of the wiring box to remove the mounting bracket.



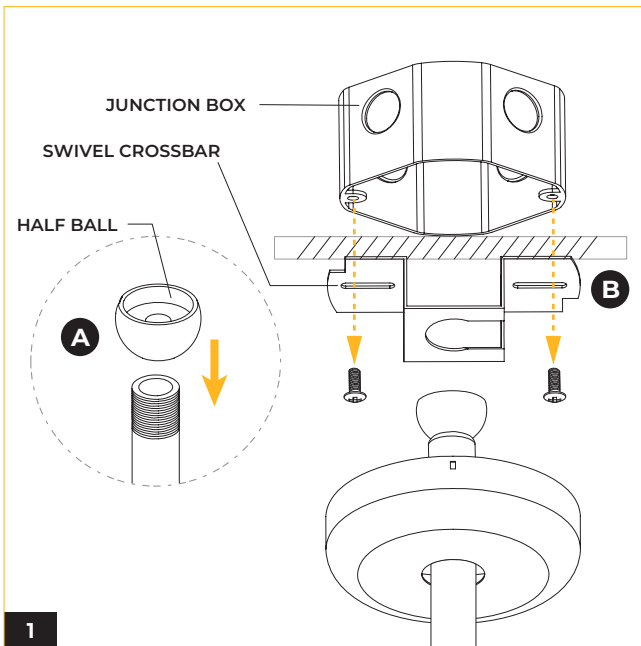
4 Place two screw nuts on either side of the mounting bracket, making sure the safety cable is also placed through. Loop and fasten the safety cable through the slot available on the mounting bracket.



5 Make electric connections in the wiring box (refer to wiring diagram).

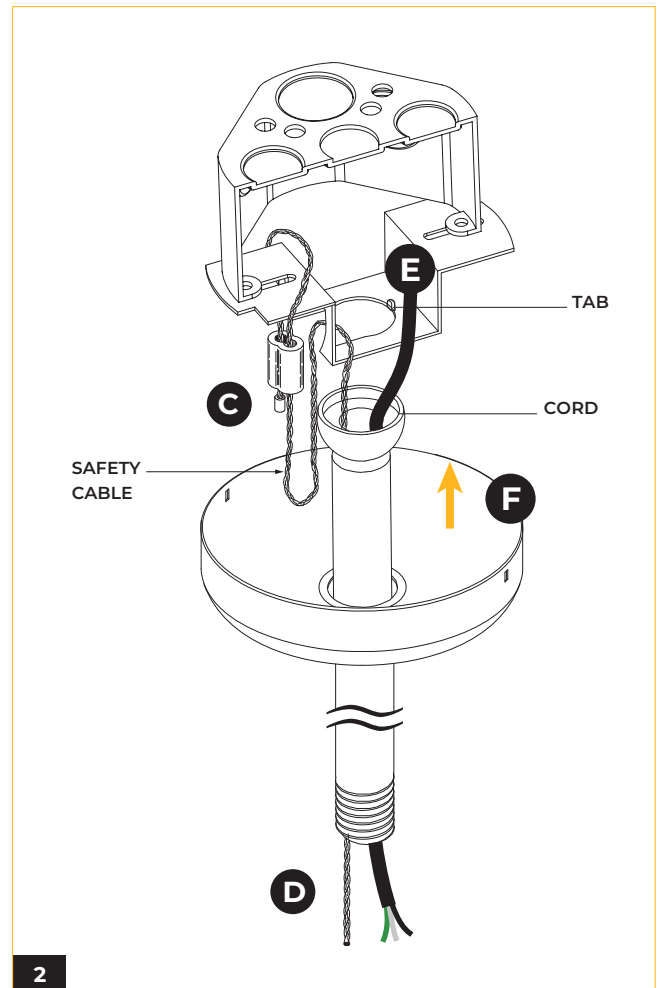


6 Screw four Phillips screws to fasten the mounting bracket on the wiring box.



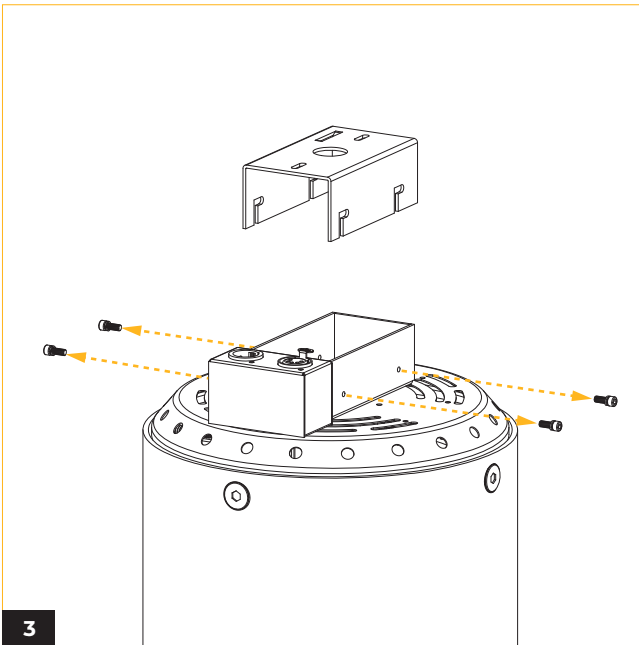
1

- (A) Secure half ball with stem.
- (B) Attach swivel crossbar to junction box (by others).



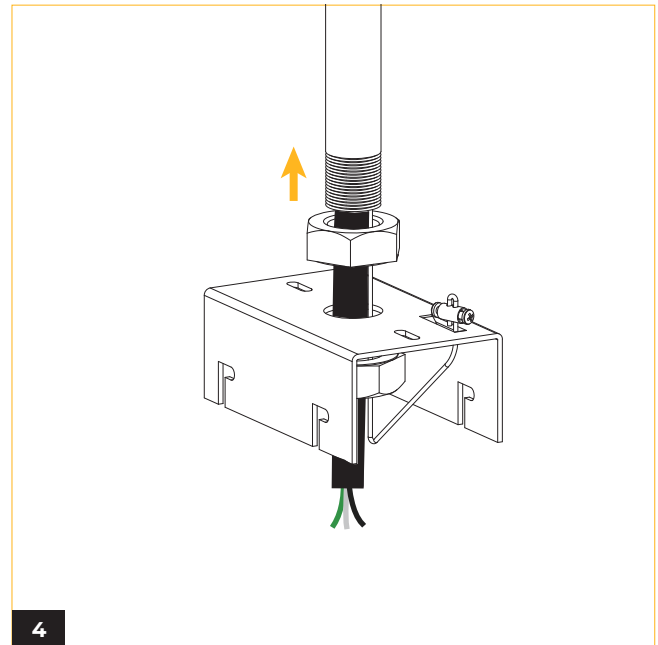
2

- (C) Loop and secure the safety cable around swivel crossbar.
- (D) Feed the safety cable and power cord through the stem and insert the half ball into slot on the swivel crossbar. Align the slot on ball joint with the tab on the swivel crossbar.
- (E) Make electrical connections in junction box. (Refer to wiring diagram)
- (F) Install canopy cover by aligning the tabs on crossbar with the slots on the canopy plate.



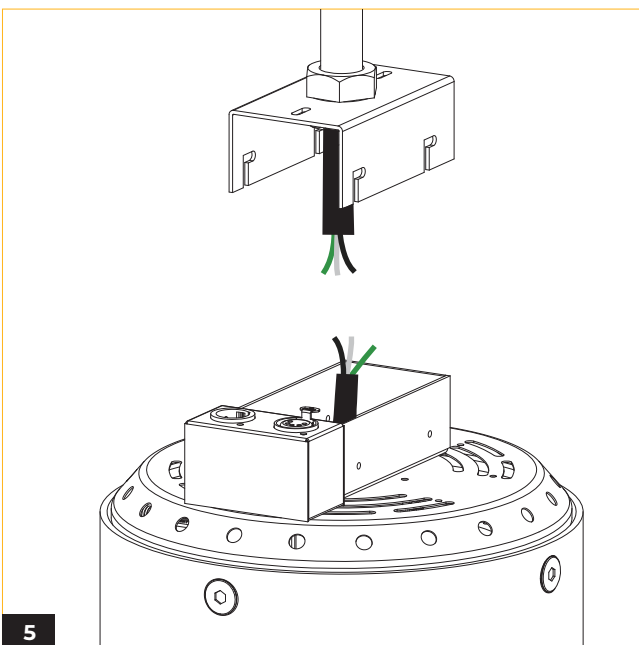
3

Loosen four Phillips screws on the side of the wiring box to remove the mounting bracket.



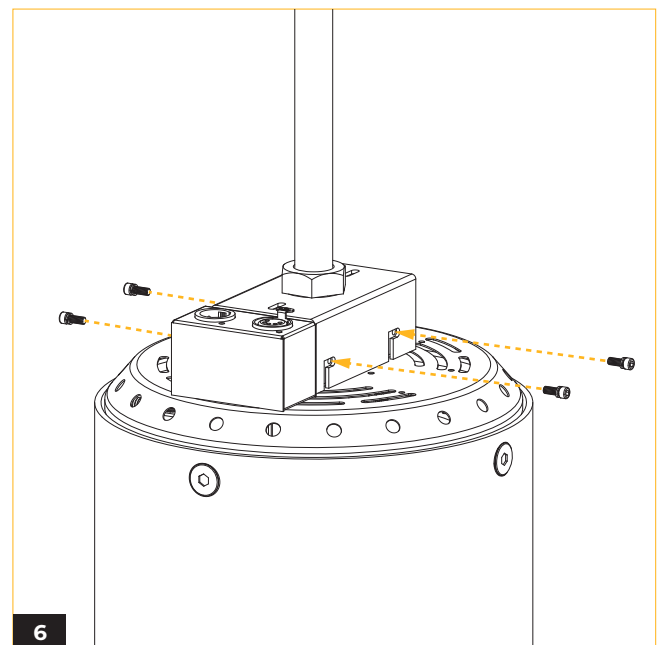
4

Place two screw nuts on either side of the mounting bracket, making sure the safety cable is also placed through. Loop and fasten the safety cable through the slot available on the mounting bracket.



5

Make electric connections in the wiring box (refer to wiring diagram).

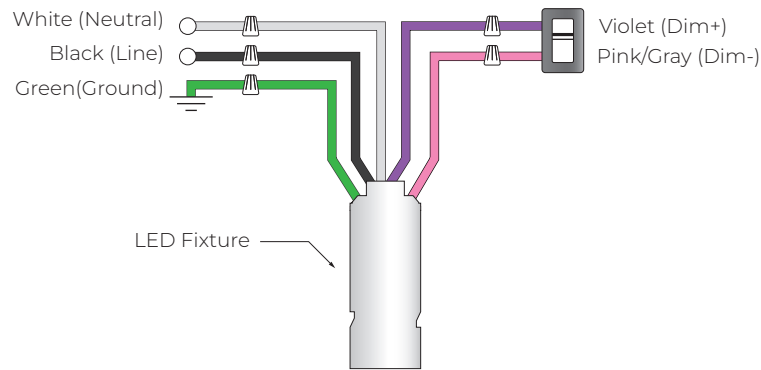


6

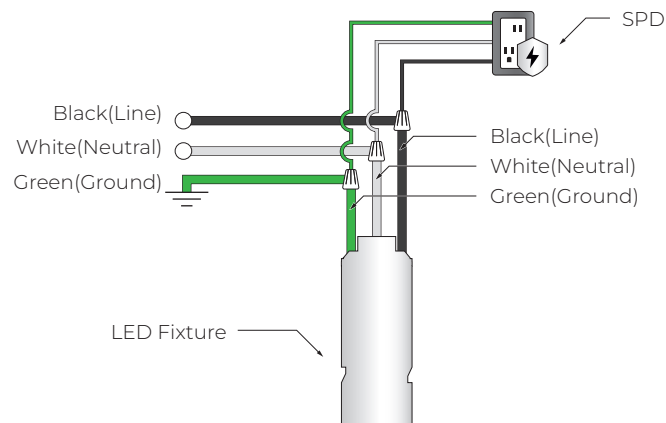
Screw four Phillips screws to fasten the mounting bracket on the wiring box.

WIRING DIAGRAM

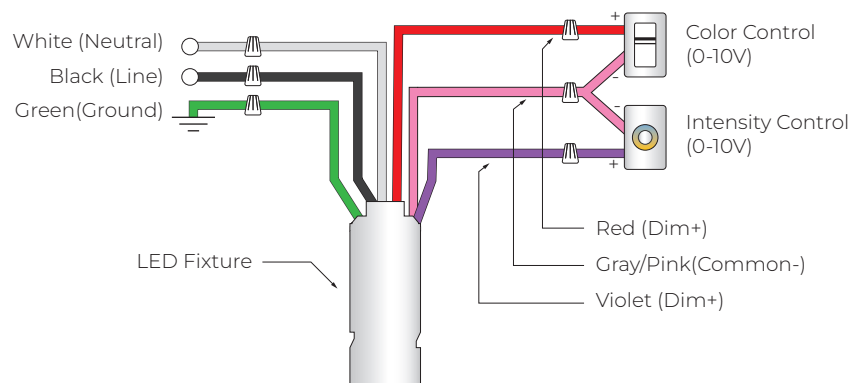
STV / SPV / DALI



SPD

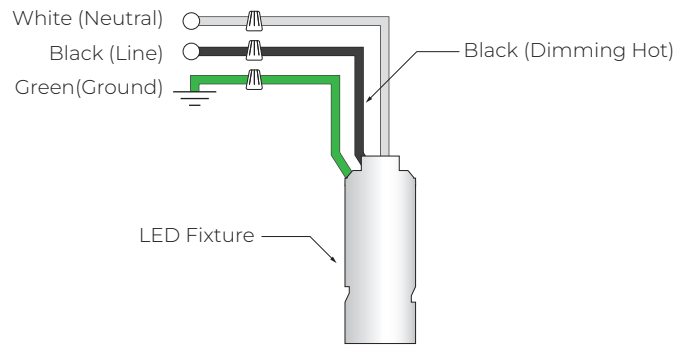


TNW SPV

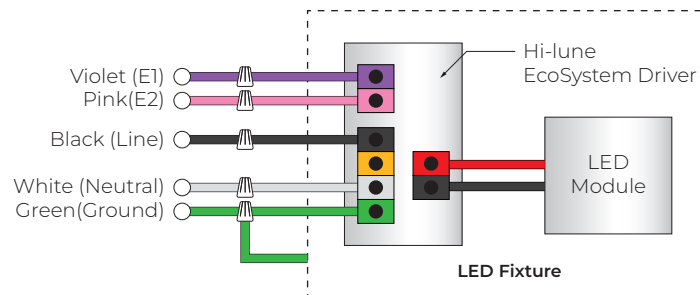


WIRING DIAGRAM

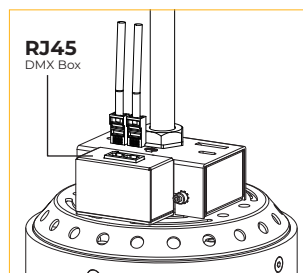
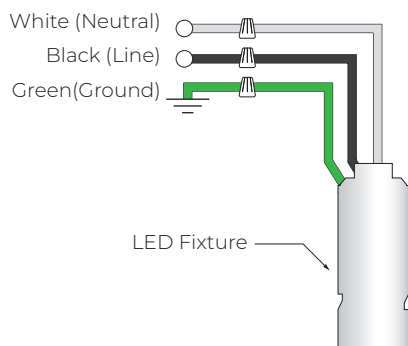
TRC



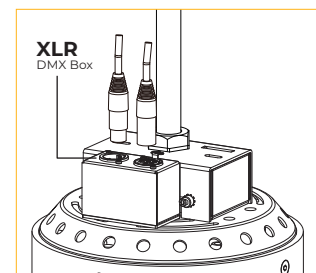
LDE1



DMX



Connect DMX by using a standard shielded CAT 5/6 cable.



Connect DMX by using a standard DMX512 XLR cable with 5 pin in/out connector (by others).

***The last fixture has to be terminated with a DMX Terminator (by others).**

NOTES

Application note : Wiring for DMX/RDM lighting systems

DMX/RDM is a robust and reliable system for lighting control. However, if not implemented correctly, problems can arise such as random flashing of lights, erratic operation and delays in responding to commands. This document explains the best practices in DMX wiring.

Important things to consider are:

1. DMX is a three-wire system. Use all three!
2. DMX is based on the EIA-485/RS-485 standard.
3. Always use cable specifically designed for DMX / RS-485. These cables have an impedance of 120Ω and a low capacitance. For instance : Belden 9729.
4. DMX must be terminated with a 120Ω resistor to prevent reflections.
5. A daisy chain topology should be used.
6. After 32 unit loads a repeater/booster should be used. (Important : For Tunable White fixtures, After "32" unit loads a repeater/booster should be used.)
7. Keep cabling below 200 meters between the controller and the last driver.
8. It is generally considered good practice to provide separate DMX in and DMX out / DMX Thru connections to your fixture to aid in installation. This can be in the form of pigtails, RJ-45 connectors or 5-pin XLR connectors.
9. Use twisted pair cables with an impedance of 120Ω and a low capacitance.
10. UTP Cat5 or Cat6 network cable can also be used but have a slightly lower impedance of 100Ω.
11. If shielded cable is used, only connect shield to ground on one side (typically, the controller should have its shield terminal connected to ground).
12. Not following the above recommendations may seem to work at first, but can cause problems. Sometimes after weeks of seemingly normal operation.