

ATRIA 10

SPECIFICATION SHEET
OUTDOOR / NATATORIUM

POWERFUL HIGH CEILING CYLINDER
WITH 25,000 LUMEN PACKAGE

Housing

Diameter : Ø9.4" | Height : 20.5" | Weight : 30 lbs

Material

Housing: High Pressure Die-Cast Aluminum

Optics: Metal Reflector

Power Input

80W, 110W, 140W, 180W, 220W | 120-277V

Lumen Output

9,720 lm (80W), 12,635 lm (110W), 16,450 lm (140W),
21,205 lm (180W), 24,870 lm (220W)

Dimming

Standard 0-10V: Dims to 10%

DALI: Dims to 1%

Color Quality

CRI 85, CRI 93

Rated Life

> 60,000 Hours (L70)

Finish



Black



White

Color Temperature



2700K



3000K



3500K



4000K

Optics



30°



45°



55°



Wide

Mounting



Stem
Mount



Adjustable
Cable



Yoke
Mount

Warranty

5 Year limited warranty

Listing



Not all Atria 10 are DLC qualified.
For all qualified products
Please visit: www.designlights.org/qpl

Masterfully engineered and
aesthetically refined.

The Atria 10 cylinder boasts one of the highest delivered lumens packages in the market, in the market with up to 24,870 delivered lumens. The cylinder is compatible with our Archi-Color™ color-changing technologies, as well as being wet location rated. Specified in convention centers, performance venues, and high ceiling spaces that need a quiet design but a lot of light.



SPECIFICATION SHEET / OUTDOOR & NATATORIUM

ATRIA 10 POWERFUL HIGH CEILING CYLINDER WITH 25,000 LUMEN PACKAGE



SPECIFICATION

PROJECT NAME

DATE

CATALOG #

QUANTITY

AS10	MODEL	ATRIA 10		
	WATTAGE	80 80W 180 180W	110 110W 220 220W	140 140W
	CCT / CRI	278 2700K / CRI 85 309 3000K / CRI 93 408 4000K / CRI 85	279 2700K / CRI 93 358 3500K / CRI 85	308 3000K / CRI 85 359 3500K / CRI 93
UNV	VOLTAGE	UNV 120 – 277V		
	DIMMING	STV Standard 0-10V dims to 10%	DALI DALI dims to 1%	
	BEAM ANGLE	30 30° WD¹ Wide	45 45°	55 55°
	FINISH	BLK Black	WHT White	
	MOUNTING	ST2 Stem 2ft SAD10 Sloped Adjustable Cable 10ft	ST4 Stem 4ft YKM Yoke Mount	AD10 Adjustable Cable 10ft
	ACCESSORIES	NO No Accessories CT⁴ Honeycomb Louver	SPD² Surge Protector	HC³ Honeycomb Louver
	RATING	OUT⁵ Outdoor Rating	NAT⁶ Natatorium Rating	

¹ Please factor in change in lumen output of -20% with WD

² Surge protector for up to 10KV. Applicable for unstable mains or facilities using high power machineries

³ Please factor in change in lumen output of -30%.

⁴ CT only compatible with ST and AD mounting types

⁵ Outdoor Rating: Coating and wiring will be changed to high UV resistant and corrosion resistant materials for long-term operation in outdoor environments

⁶ Natatorium Rating: Coating and sealant will be changed to high corrosion resistant materials to prevent damage from long-term exposure to chlorine vapors

TECHNICAL DETAILS

Electrical

- 9,720 lm (80W)
- 12,635 lm (110W)
- 16,450 lm (140W)
- 21,205 lm (180W)
- 24,870 lm (220W)
- Power Input: Universal (120-277V)
- Operating Temperature: -13°F~112°F
- Surge Protection: Built-in is 4KV

LED Features

- Color Temperature: 2700K, 3000K, 3500K, 4000K
- CRI 85, CRI 93
- Long lasting LED luminaire tested under TM21 lumen maintenance L70 @ 60,000 Hrs
- Lumen Maintenance > 0.90 at 60,000 hours

Optics

- Precision molded high transmittance clear PC lens
- Beam Angle : 30°, 45°, 55°, WD

Advanced Dimming

- Proprietary VX Driver™ is incorporated to all dimming options for video flicker-free lighting
- Standard 0-10V : Dims to 10%
- DALI: Dims to 1%

Housing

- Diameter: Ø9.4"
- Height: 20.5"
- Material: High Pressure Die-Cast Aluminum, Metal Reflector
- Weight: 30 lbs

Mounting

- Stem 2ft or 4ft; 45° Swivel Canopy Included
- Adjustable Cable 10ft
- Sloped Adjustable Cable 10ft
- Yoke Mount

Warranty

- 5-year limited warranty

Listing

- ETL Wet Location Listed
- CE
- UKCA
- FCC
- DLC Listed
- IP 65

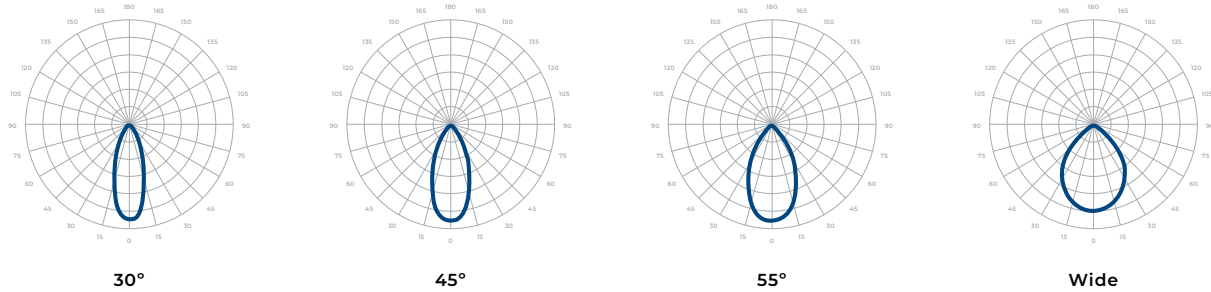
PERFORMANCE SUMMARY*

Delivered Lumens					Current Consumption		
CCT/WATTAGE	2700K	3000K	3500K	4000K	WATTAGE / VOLT	120V	277V
80W	8,455lm	9,040lm	9,380lm	9,720lm	80W	0.73A	0.32A
110W	10,990lm	11,750lm	12,190lm	12,635lm	110W	1.01A	0.44A
140W	14,310lm	15,310lm	15,880lm	16,450lm	140W	1.28A	0.56A
180W	18,970lm	20,090lm	20,645lm	21,205lm	180W	1.65A	0.71A
220W	22,250lm	23,560lm	24,210lm	24,870lm	220W	2.02A	0.87A

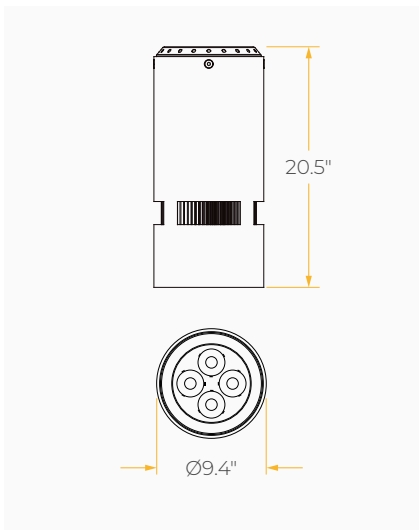
*CRI 85 / Beam Angle: 30° *Tolerance ±8%

PHOTOMETRICS

Below is a typical photometric representation of the Atria 10 fixture. Please download IES files to ensure exact photometric value.

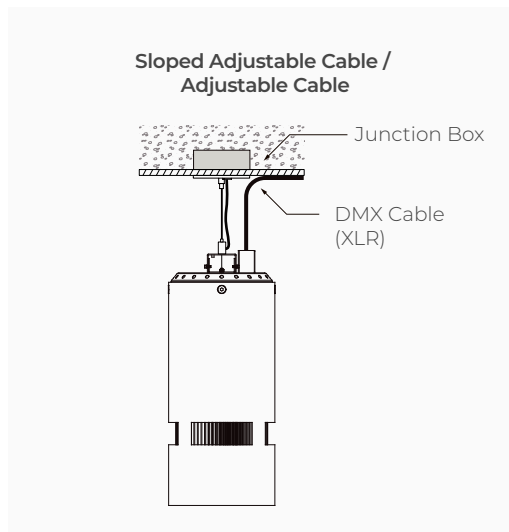
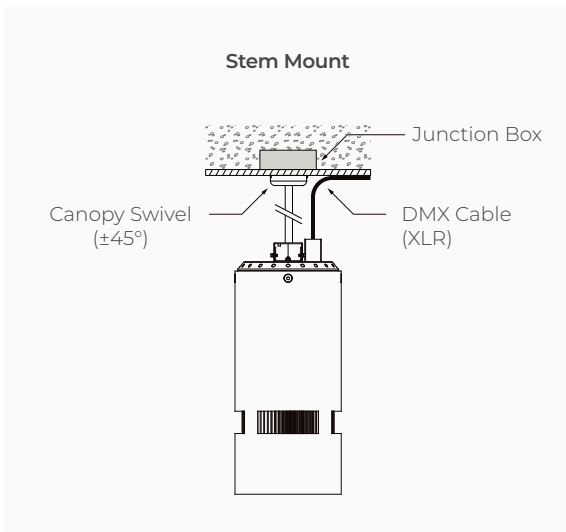


DIMENSIONS



MOUNTING OPTIONS*

*Junction box not included



MOUNTING OPTIONS*

**Junction box not included*

