

ADVANCED HIGH CEILING

# Whiz 2.0 - W+RGB



Our Flagship Architectural High Ceiling Luminaire is now available in W+RGB color tuning with lumen output of 21,520 lm.



|          |  |      |  |
|----------|--|------|--|
| Quantity |  | Type |  |
| Project  |  | Note |  |

## Electrical System

- 300W / W=180W, RGB=120W
- Power Input: Universal (120-277V)
- Operating Temperature: -40°F~112°F
- Surge Protection: 4KV
- Power Factor Greater than 0.9

## LED Technology

- White: CCT 3000K
- 85 CRI
- White Beam Angle: 25°, 40°, 60°, 100° (with diffuser)
- RGB Beam Angle: 100° (with diffuser)
- Rated Life > 100,000 hours (L70)
- Lumen Maintenance > 0.90 at 60,000 hours

## Advanced Dim-

(Proprietary VX Driver is incorporated to all dimming options for video flicker-free lighting)

- DMX: high resolution dims to 0.1% (Supports ANSI E1.20 RDM protocol)

## Housing

- Diameter: 16.24" (420mm)
- Material: Die-Cast Aluminum, Tempered Glass
- Weight: 33lbs

## Mounting

- Stem 2ft, 4ft
- Adjustable Aircraft Cable 10ft
- Uplight 2ft, 4ft
- Adjustable Uplight 2ft, 4ft

## Warranty

- 5 years limited Warranty.

## Listing

- ETL Damp Location Listed
- DLC Listed
- UL924



# Whiz 2.0 - W+RGB



## How To Specify:

**Ordering Example: WS2-300-308C-UNV-DMX-60-BLK-ST2**

| Model               | Wattage         | CCT / CRI                     | Voltage             | Dimming   |
|---------------------|-----------------|-------------------------------|---------------------|---|
| WS2                 |                 |                               | UNV                 |   |
| WS2<br>Whiz 2 W+RGB | <b>300</b> 300W | <b>308C</b> 3000K / CRI85+RGB | <b>UNV</b> 120-277V | <b>DMX</b> DMX dims to 0.1% (XLR Sockets)<br><b>DMX(RJ45)</b> DMX dims to 0.1% (RJ45 Sockets) |

| Beam Angle   | Finish           | Mounting                           | Accessories  |
|--|------------------|------------------------------------|--|
| <b>25</b> 25°  | <b>BLK</b> Black | <b>ST2</b> Stem 2ft                | <b>DF<sup>1</sup></b> Diffuser   |
| <b>40</b> 40°  | <b>WHT</b> White | <b>ST4</b> Stem 4ft                | <b>WG<sup>2</sup></b> Wire Guard   |
| <b>60</b> 60°  |                  | <b>AD10</b> Adjustable Cable 10ft  | <b>SNT<sup>3</sup></b> Snoot   |
| <b>WD<sup>1</sup></b> 100° (with diffuser)   |                  | <b>UP2</b> Uplight Stem 2ft        | <b>GSV<sup>4</sup></b> Glare Shield Visor  |
|  |                  | <b>UP4</b> Uplight Stem 4ft        |  |
|  |                  | <b>AUP2</b> Adjustable Uplight 2ft |  |
|  |                  | <b>AUP4</b> Adjustable Uplight 4ft |  |
| <sup>1</sup> Please factor in change in lumen output with diffuser (-20% with WD). |                  |                                    | <sup>1</sup> Please factor in change in lumen output with diffuser (-20% with WD; -12% with other degrees)<br><sup>2</sup> Please factor in change in lumen output of -14%<br><sup>3</sup> Please factor in change in lumen output of -30%.<br><sup>4</sup> Please factor in change in lumen output of -25%. |

**Delivered Lumens\***

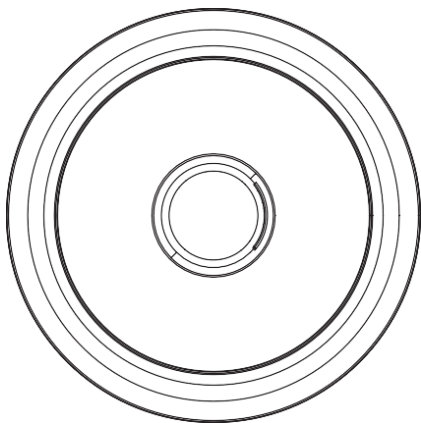
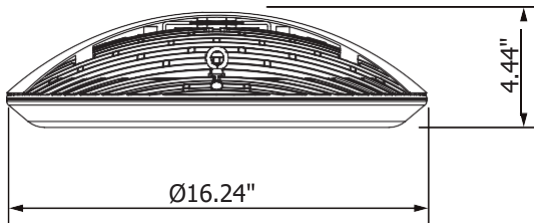
|         |                 |          |
|---------|-----------------|----------|
| Wattage | 300W            |          |
|         | Beam Angle: 60° |          |
| CCT     |                 |          |
| R       | 40 W            | 510 lm   |
| G       | 40 W            | 4000 lm  |
| B       | 40 W            | 490 lm   |
| W       | 180 W           | 16520 lm |

\*Tolerance±8%

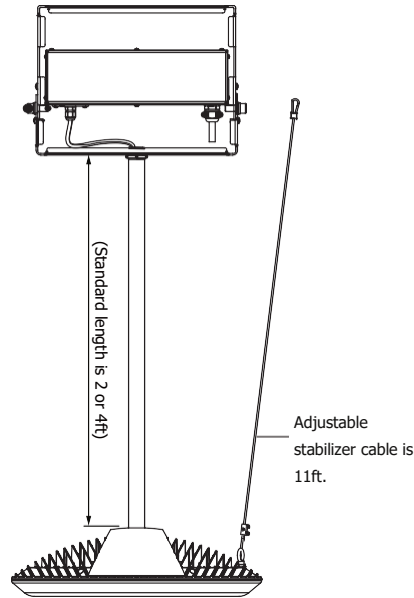
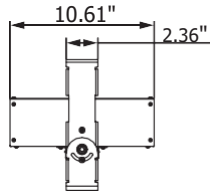
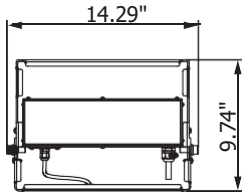
**Current Consumption**

|         |      |       |       |
|---------|------|-------|-------|
|         | Volt | 120V  | 277V  |
| Wattage |      | 2.88A | 1.26A |
| 300W    |      |       |       |

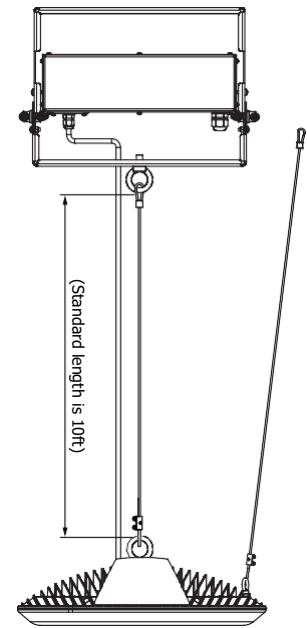
**Dimensions**



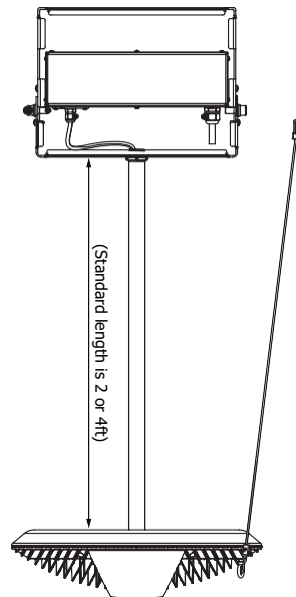
## Mounting Options



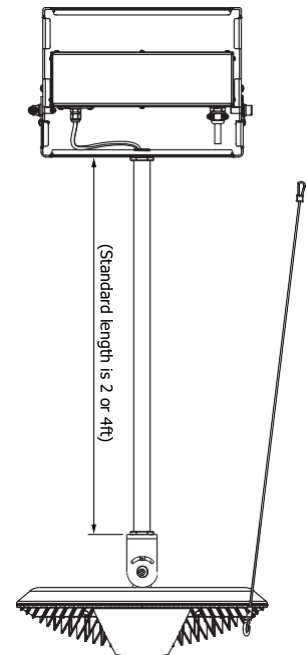
Stem



Adjustable Aircraft Cable



Uplight



Adjustable Uplight

## DMX Requirements

The Whiz 2.0 fixture with DMX is a FOUR CHANNELS DMX unit.

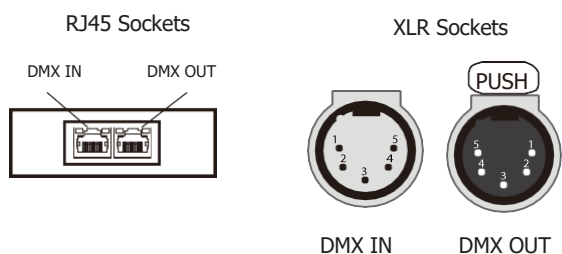
When placing order, please indicate DMX address. (The DMX address will be listed on the back of the fixture.) The LED fixture provide RJ45 Socket or XLR socket to connect. (DMX cable NOT included.)

The final fixture should be terminated by the use of DMX Terminator (by others).

| Fixture | DMX Address         |                         |                        |                         |
|---------|---------------------|-------------------------|------------------------|-------------------------|
|         | Red Control (ex. X) | Green Control (ex. X+1) | Blue Control (ex. X+2) | White Control (ex. X+3) |
| #1      | 1                   | 2                       | 3                      | 4                       |
| #2      | 5                   | 6                       | 7                      | 8                       |
| #3      | 9                   | 10                      | 11                     | 12                      |

The LED fixture provide RJ45 Socket or XLR socket to connect. (DMX cable NOT included.)

The final fixture should be terminated by the use of DMX Terminator (by others).



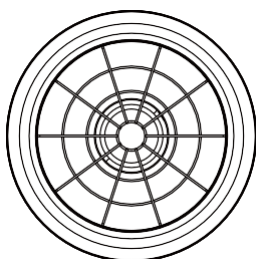
| CONNECTION | RJ45 (CAT5e)                      | 5-PIN XLR |
|------------|-----------------------------------|-----------|
| Common     | WHITE/BROWN(PIN7) & BROWN (PIN 8) | PIN 1     |
| Signal -   | ORANGE (PIN 2)                    | PIN 2     |
| Signal +   | WHITE/ORANGE (PIN 1)              | PIN 3     |
| Spare      | -                                 | PIN 4     |
| Spare      | -                                 | PIN 5     |

## Compatible DMX Cabling List

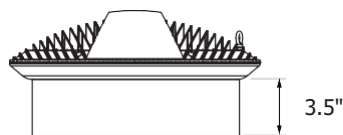
DMX uses a cable consisting of two twisted pairs plus a shield to carry data. The cable must be specifically impedance matched for the digital DMX signal, meaning that microphone cable or other non-rated cable **must not be used to carry DMX**. Network cable (Cat5, 5e or 6 cable) may be used to carry DMX in an installation; however special consideration must be given to shielding and termination. Under no circumstances should solid core cable like Cat5 be terminated into a screw down connector.

Meteor recommends the use of Belden 9729 for DMX installation. Belden 9729 is a two pair cable, which allows for a spare pair for 'out and back' type terminations if needed. Below is a list of other compatible Belden cables.

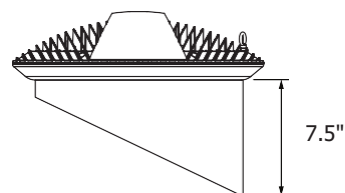
## Accessory



Wire Guard



Snoot



Glare Shield Visor