

ADVANCED HIGH CEILING

Whiz 2.0 - Standard



High lumen compact luminaire with lumen output 12400 – 35400lm. Additional features include IP65 and outdoor/natorium rating.

Quantity		Type	
Project		Note	

Electrical System

- 13900lm (120W)
- 19600lm (170W)
- 26700lm (240W)
- 35400lm (300W)
- Power Input: Universal (120-277V); 347-480V
- Operating Temperature: -40°F~112°F
- Surge Protection: 4KV
- Power Factor Greater than 0.9

LED Technology

- 3000K, 3500K, 4000K, 5000K
- 75 CRI, 85 CRI
- Beam Angle: 25°, 40°, 60° and 100° (with diffuser)
- Rated Life > 100,000 hours (L70)
- Lumen Maintenance > 0.90 at 60,000 hours

Advanced Dim-

(Proprietary VX Driver is incorporated to all dimming options for video flicker-free lighting)

- Standard 0-10V: dims to 10%
 - Superior 0-10V: dims to 1%
 - DMX: high resolution dims to 0.1%
 - (Supports ANSI E1.20 RDM protocol)
 - LTE: Hi-Lume 1% 2-wire LED Driver (120V forward phase only)
 - LDE1: Hi-Lume 1% EcoSystem LED Driver with Soft-on, Fade-to-Black (UNV only)
 - DALI: dims to 10%
- 120W Only

Housing

- Diameter: 16.24" (420mm)
- Material: Die-Cast Aluminum, Tempered Glass
- Weight: 33lbs

Mounting

- Stem 2ft, 4ft
- Adjustable Aircraft Cable 10ft
- Uplight 2ft, 4ft
- Adjustable Uplight 2ft, 4ft

Warranty

- 5 years limited

Listing

- ETL Damp Location Listed
- DLC Listed
- UL924



Not all Whiz 2.0 are DLC qualified. For all qualified products. Please visit: www.designlights.org/qpl

How To Specify:

Ordering Example: WS2-240-507-UNV-DMX-60-BLK-ST2-EMP

Model	Wattage	CCT / CRI	Voltage	Dimming
<input type="text" value="WS2"/>	<input type="text"/>	<input type="text"/>	<input type="text"/>	<input type="text"/>
WS2	120 120W	507 5000K / CRI75	UNV 120-277V	NOD Non-Dimming
Whiz 2.0 Series	170 170W	308 3000K / CRI85	HVT 347-480V	STV ¹ Standard 0-10V dims to 10%
	240 240W	358 3500K / CRI85	120 120V	SPV ¹ Superior 0-10V dims to 1%
	300 300W	408 4000K / CRI85	277 277V	DMX ¹ DMX dims to 0.1% (XLR Sockets)
				LTE ¹ Hi-Lume 1% 2-wire LED Driver (120V forward phase only)
				LDE1 ¹ Hi-Lume 1% EcoSystem LED Driver with Soft-on, Fade-to-Black (UNV only)
				DALI ² DALI dims to 10%

¹120W Only.
² Option is not compatible with OCC.

Beam Angle	Finish	Mounting	Accessories
<input type="text"/>	<input type="text"/>	<input type="text"/>	<input type="text"/>
25 25°	BLK Black	ST2 Stem 2ft	OCC ^{1,6} Occupancy Sensor (Enlighted)
40 40°	WHT White	ST4 Stem 4ft	EMP Remote Emergency Pack
60 60°		AD10 Adjustable Cable 10ft	DF ² Diffuser
WD* 100° (with diffuser)		UP2* Uplight Stem 2ft	WG ³ Wire Guard
		UP4* Uplight Stem 4ft	SNT ⁴ Snoot
		AUP2* Adjustable Uplight 2ft	GSV ⁵ Glare Shield Visor
		AUP4* Adjustable Uplight 4ft	

¹ Option is ONLY compatible with NOD, MUST order with Wire Guard.
² Please factor in change in lumen output with diffuser (-20% with WD; -12% with other degrees).
³ Please factor in change in lumen output of -14%.
⁴ Please factor in change in lumen output of -30%.
⁵ Please factor in change in lumen output of -25%.
⁶ Option not available for 300W.

*Please factor in change in lumen output with diffuser (-20% with WD ; -12% with other degrees).

*Option is not compatible with OCC. Stem length is required when placing order.

DesignLights Consortium™ Qualified Luminaires:

DLC QPL Model Number : WS2-300-408
Not all product variations listed on this page are DLC qualified.
To ensure that a specific model is qualified, visit www.designlights.org/search.

ADVANCED HIGH CEILING
Whiz 2.0 - Standard



Delivered Lumens*

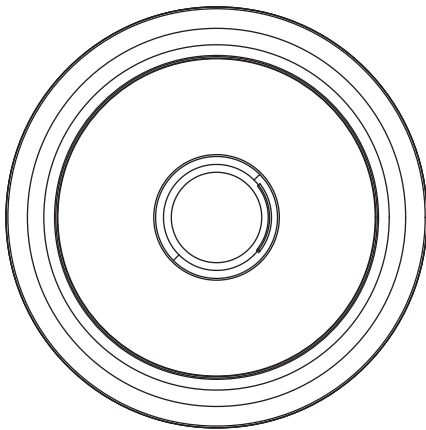
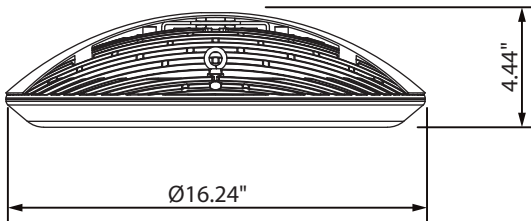
*Tolerance±8%

Wattage \ CCT	120W	170W	240W	300W
Beam Angle: 40°				
5000K	13900 lm	19600 lm	26700 lm	35400 lm
4000K	13300 lm	18900 lm	22100 lm	29700 lm
3500K	12500 lm	17700 lm	21400 lm	28800 lm
3000K	12400 lm	17510 lm	21200 lm	28500 lm

Current Consumption

Wattage \ Volt	120V	277V
120W	1.1A	0.48A
170W	1.56A	0.68A
240W	2.02A	0.87A
300W	2.75A	1.19A

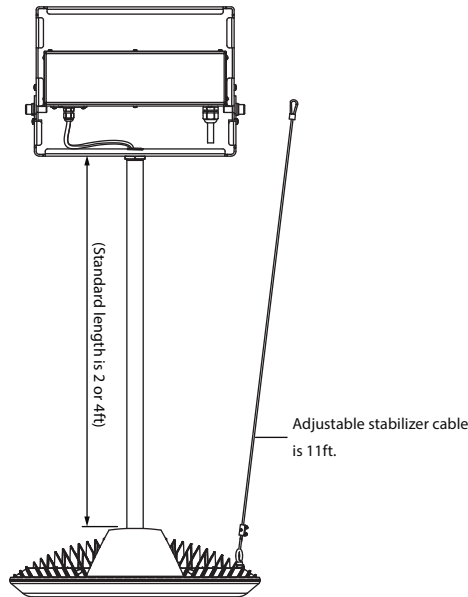
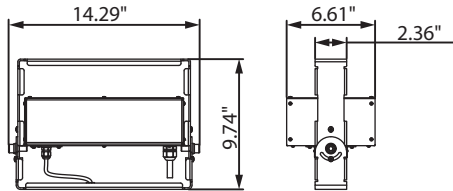
Dimensions



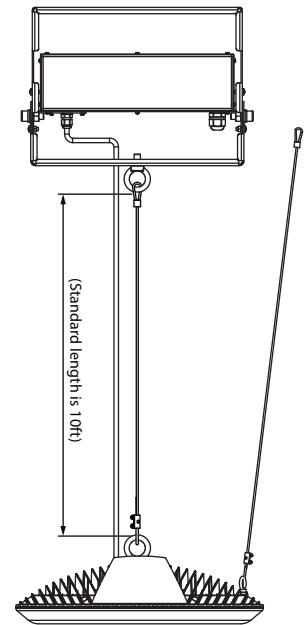
ADVANCED HIGH CEILING
Whiz 2.0 - Standard



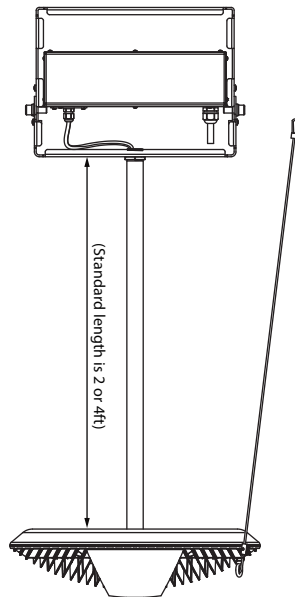
Mounting Options



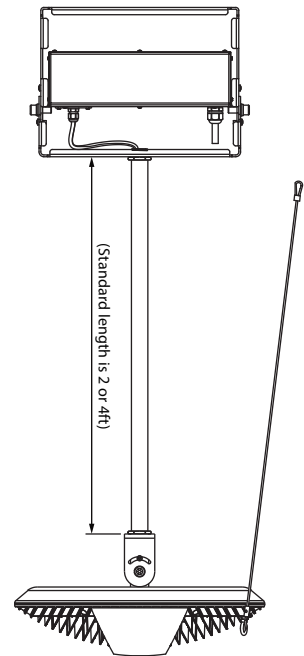
Stem



Adjustable
Aircraft Cable



Uplight



Adjustable Uplight

ADVANCED HIGH CEILING
Whiz 2.0 - Standard

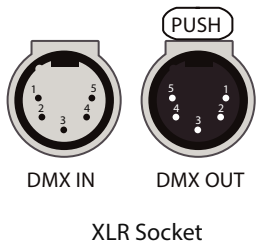


DMX Requirements*

The Whiz 2.0 LED fixture with DMX is a ONE CHANNEL DMX unit.

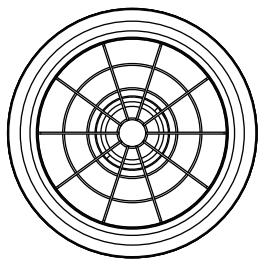
When placing order, please indicate DMX address. (The DMX address will be listed on the back of the fixture)

The LED fixture comes equipped with male and female 5-Pin XLR Receptacles. (DMX cable NOT included)

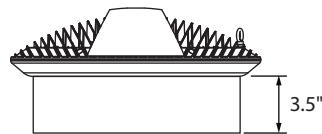


CONNECTION	5-PIN XLR
Common	PIN 1
Signal -	PIN 2
Signal +	PIN 3
Spare	PIN 4
Spare	PIN 5

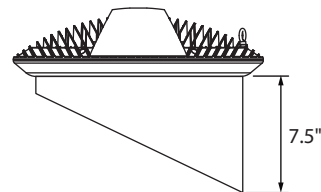
Accessory



Wire Guard



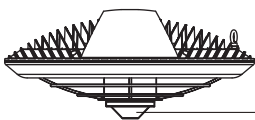
Snout



Glare Shield Visor

Occupancy Sensor

* Not available with any dimming option.



Occupancy Sensor

Occupancy Sensor Operation

