

ADVANCED HIGH CEILING

Whiz 2.0 - Standard



High lumen compact luminaire with lumen output 12400 – 35400lm. Additional features include IP65 and outdoor/natatorium rating.

| Quantity | Type |
|----------|------|
| Project | Note |

Electrical System

- 13900lm (120W)
- 19600lm (170W)
- 26700lm (240W)
- 35400lm (300W)
- Power Input: Universal (120-277V); 347-480V
- Operating Temperature: -40°F~112°F
- Surge Protection: 4KV
- Power Factor Greater than 0.9

LED Technology

- 3000K, 3500K, 4000K, 5000K
- 75 CRI, 85 CRI
- Beam Angle: 25°, 40°, 60° and 100° (with diffuser)
- Rated Life > 100,000 hours (L70)
- Lumen Maintenance > 0.90 at 60,000 hours

Advanced Dimming

(Proprietary VX Driver is incorporated to all dimming options for video flicker-free lighting)

- Standard 0-10V: dims to 10%
- Superior 0-10V: dims to 1%
- DMX: high resolution dims to 0.1%
(Supports ANSI E1.20 RDM protocol)
- LTE: Hi-Lume 1% 2-Wire TRIAC (120V only)
- LDE1: Hi-Lume 1% EcoSystem (UNV only)
- DALI: dims to 10%

Housing

- Diameter: 16.24" (420mm)
- Material: Die-Cast Aluminum, Tempered Glass
- Weight: 33lbs

Mounting

- Stem 2ft, 4ft
- Adjustable Aircraft Cable 10ft
- Uplight 2ft, 4ft
- Adjustable Uplight 2ft, 4ft

Warranty

- 5 years limited warranty.

Listing

- ETL Damp Location Listed
- DLC Listed
- UL924



Whiz 2.0 - Standard



How To Specify:

Ordering Example: **WS2-240-507-UNV-DMX-60-BLK-ST2-EMP**

| Model | Wattage | | CCT / CRI | | Voltage | | Dimming |
|------------------------|------------|------|------------|---------------|------------|--|---------------------------------------|
| WS2 | | | | | UNV | | |
| WS2 | 120 | 120W | 507 | 5000K / CRI75 | UNV | 120-277V | NOD Non-Dimming |
| Whiz 2.0 Series | 170 | 170W | 308 | 3000K / CRI85 | HVT | 347-480V | STV Standard 0-10V dims to 10% |
| | 240 | 240W | 358 | 3500K / CRI85 | 120 | 120V | SPV Superior 0-10V dims to 1% |
| | 300 | 300W | 408 | 4000K / CRI85 | | DMX DMX dims to 0.1% (XLR Sockets) | |
| | | | | | | LTE¹ Hi-Lume 1% 2-Wire TRIAC (120V only) | |
| | | | | | | LDE1¹ Hi-Lume 1% EcoSystem (UNV only) | |
| | | | | | | DALI DALI dims to 10% | |

¹Option only compatible with 120W, 170W.

| Beam Angle | | Finish | Mounting | | Accessories |
|---|----------------------|------------------|---|------------------------|---|
| 25 | 25° | BLK Black | ST2 | Stem 2ft | OCC^{1,6} Occupancy Sensor |
| 40 | 40° | WHT White | ST4 | Stem 4ft | EMP Remote Emergency Pack |
| 60 | 60° | | AD10 | Adjustable Cable 10ft | DF² Diffuser |
| WD* | 100° (with diffuser) | | UP2* | Uplight Stem 2ft | WG³ Wire Guard |
| | | | UP4* | Uplight Stem 4ft | SNT⁴ Snoot |
| | | | AUP2* | Adjustable Uplight 2ft | GSV⁵ Glare Shield Visor |
| | | | AUP4* | Adjustable Uplight 4ft | |
| *Please factor in change in lumen output with diffuser (-20% with WD; -12% with other degrees). | | | *Option is not compatible with OCC. Stem length is required when placing order. | | ¹ Option is ONLY compatible with NOD, MUST order with Wire Guard. |
| | | | | | ² Please factor in change in lumen output with diffuser (-20% with WD; -12% with other degrees). |
| | | | | | ³ Please factor in change in lumen output of -14%. |
| | | | | | ⁴ Please factor in change in lumen output of -30%. |
| | | | | | ⁵ Please factor in change in lumen output of -25%. |
| | | | | | ⁶ Option not available for 300W. |

DesignLights Consortium™ Qualified Luminaires:

DLC QPL Model Number : WS2-300-408

Not all product variations listed on this page are DLC qualified.

To ensure that a specific model is qualified, visit www.designlights.org/search.

Whiz 2.0 - Standard



Delivered Lumens*

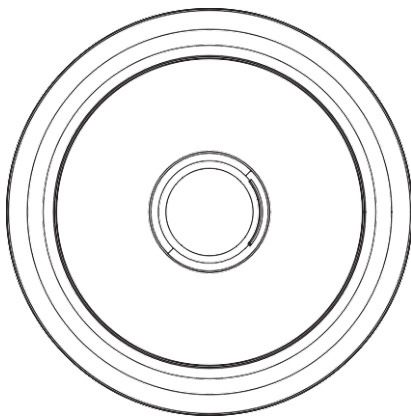
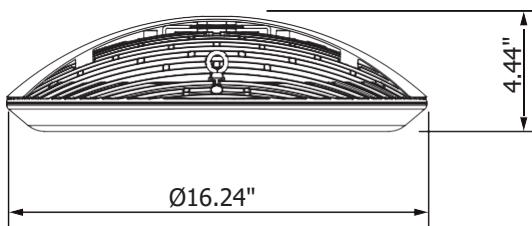
| Wattage \ CCT | 120W | 170W | 240W | 300W |
|-----------------|----------|----------|----------|----------|
| Beam Angle: 40° | | | | |
| 5000K | 13900 lm | 19600 lm | 26700 lm | 35400 lm |
| 4000K | 13300 lm | 18900 lm | 22100 lm | 29700 lm |
| 3500K | 12500 lm | 17700 lm | 21400 lm | 28800 lm |
| 3000K | 12400 lm | 17510 lm | 21200 lm | 28500 lm |

*Tolerance±8%

Current Consumption

| Wattage \ Volt | 120V | 277V |
|----------------|-------|-------|
| 120W | 1.1A | 0.48A |
| 170W | 1.56A | 0.68A |
| 240W | 2.02A | 0.87A |
| 300W | 2.75A | 1.19A |

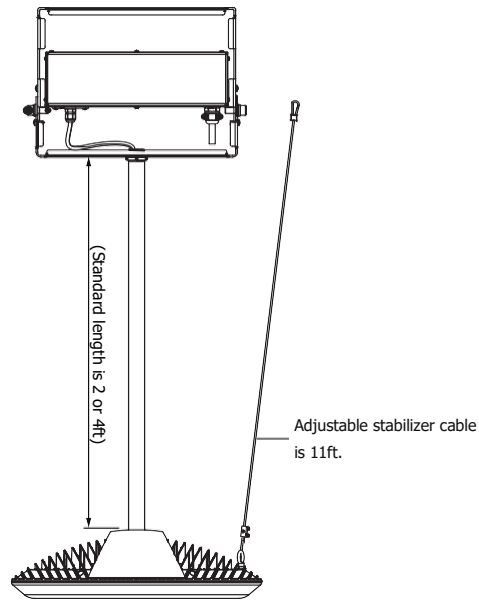
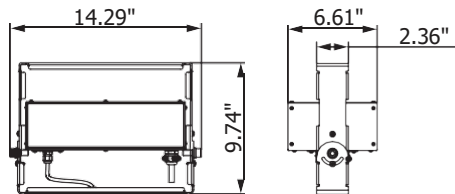
Dimensions



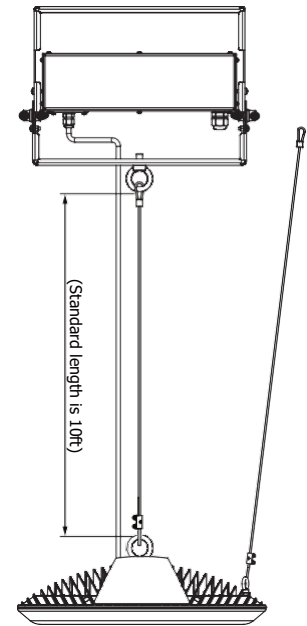
Whiz 2.0 - Standard



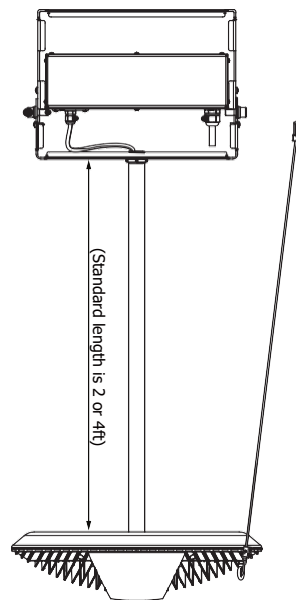
Mounting Options



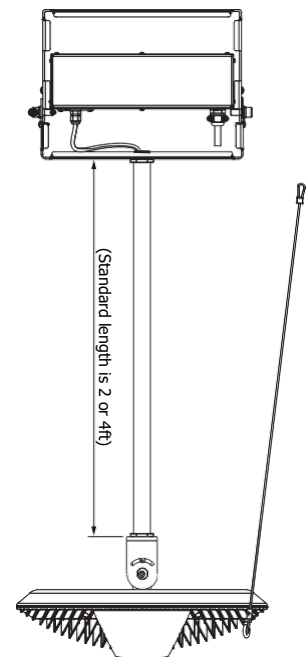
Stem



Adjustable Aircraft Cable



Uplight



Adjustable Uplight

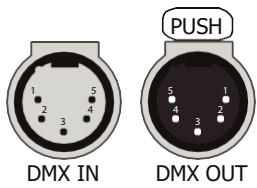
Whiz 2.0 - Standard



DMX Requirements*

The Whiz 2.0 LED fixture with DMX is a ONE CHANNEL DMX unit.

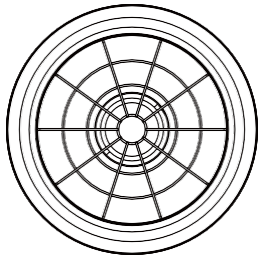
When placing order, please indicate DMX address. (The DMX address will be listed on the back of the fixture) The LED fixture comes equipped with male and female 5-Pin XLR Receptacles. (DMX cable NOT included)



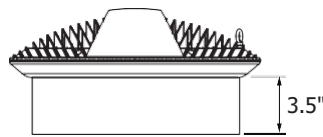
XLR Socket

| CONNECTION | 5-PIN XLR |
|------------|-----------|
| Common | PIN 1 |
| Signal - | PIN 2 |
| Signal + | PIN 3 |
| Spare | PIN 4 |
| Spare | PIN 5 |

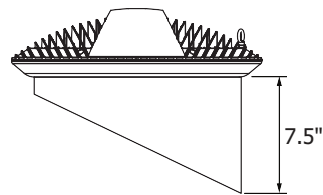
Accessory



Wire Guard



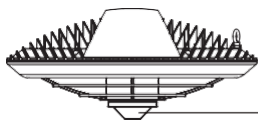
Snoot



Glare Shield Visor

Occupancy Sensor

* Not available with any dimming option.



Occupancy Sensor

Occupancy Sensor Operation

