

ADVANCED HIGH CEILING

Whiz 2.0 - Tunable White Version (ColorFlip™)



High lumen compact luminaire with lumen output 17165 – 29555lm.

Quantity		Type	
Project		Note	

Delivered Lumens*

ColorFlip™	3000K	3500K	4000K	4500K	5000K
DMX CCT Signal (%)	0%	25%	45%	60%	100%
0-10V CCT Voltage	0	2.5	4.5	6	10
150W	17165 lm	19070 lm	20980 lm	20805 lm	20630 lm
300W	24100 lm	26830 lm	29555 lm	29545 lm	29540 lm
CRI	85	83	82	80	75

Electrical System

- 150W
- 300W
- Power Input: Universal (120-277V); 347-480V
- Operating Temperature: -40°F~112°F
- Surge Protection: 4KV

LED Technology

- ColorFlip™(Tuning White: 3000K ←→ 5000K)
- 3000K / 85 CRI , 5000K / 75 CRI
- Beam Angle: 25°, 40°, 60°, 100° (with diffuser)
- Rated Life > 100,000 hours (L70)
- Lumen Maintenance > 0.90 at 60,000 hours

Advanced Dimming

(Proprietary VX Driver is incorporated to all dimming options for video flicker-free lighting)

- **Superior 0-10V:** dims to 1%
- **DMX:** high resolution dims to 0.1% (Supports ANSI E1.20 RDM protocol)

Housing

- Diameter: 16.24" (420mm)
- Material: Die-Cast Aluminum, Tempered Glass
- Weight: 33lbs

Mounting

- Stem 2ft, 4ft
- Adjustable Aircraft Cable 10ft
- Uplight 2ft, 4ft
- Adjustable Uplight 2ft, 4ft

Warranty

- 5 years limited warranty.

Listing

- ETL Damp Location Listed



Whiz 2.0 - Tunable White Version (ColorFlip™)



How To Specify:

Ordering Example: WS2-300-TNW-UNV-DMX-60-BLK-ST2-EMP

Model	Wattage	CCT / CRI	Voltage	Dimming
WS2		TNW		
WS2 Whiz 2.0 Series	150 150W 300 300W	TNW 3000K - 5000K	UNV 120-277V HVT 347-480V	SPV Superior 0-10V dims to 1% DMX DMX dims to 0.1% (XLR Sockets)

Beam Angle	Finish	Mounting	Accessories
25 25° 40 40° 60 60° WD* 100° (with diffuser)	BLK Black WHT White	ST2 Stem 2ft ST4 Stem 4ft AD10 Adjustable Cable 10ft UP2 Uplight Stem 2ft UP4 Uplight Stem 4ft AUP2 Adjustable Uplight 2ft AUP4 Adjustable Uplight 4ft	EMP Remote Emergency Pack DF¹ Diffuser WG² Wire Guard SNT³ Snoot GSV⁴ Glare Shield Visor

*Please factor in change in lumen output with diffuser (-20% with WD; -12% with other degrees).

¹ Please factor in change in lumen output with diffuser (-20% with WD; -12% with other degrees).

² Please factor in change in lumen output of -14%.

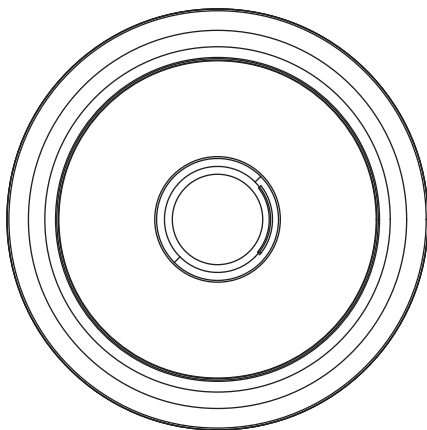
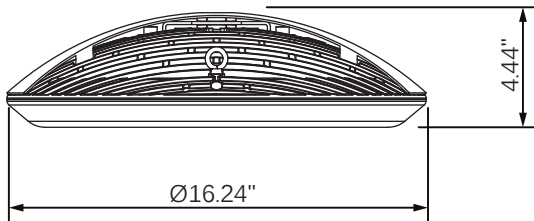
³ Please factor in change in lumen output of -30%.

⁴ Please factor in change in lumen output of -25%.

Current Consumption

Wattage \ Volt	120V	277V
150W	1.25A	0.54A
300W	2.50A	1.08A

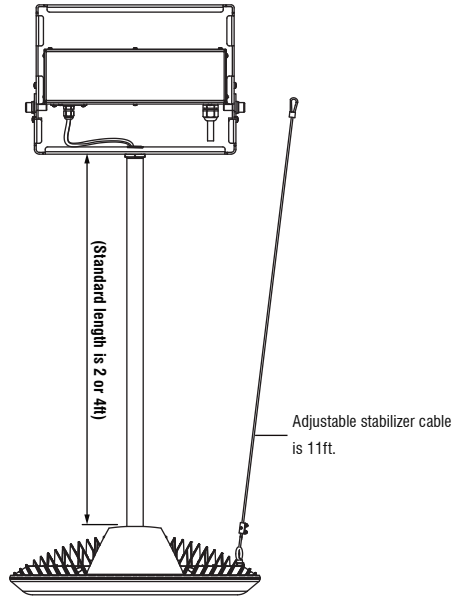
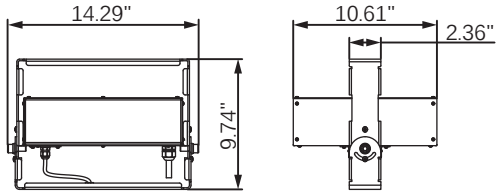
Dimensions



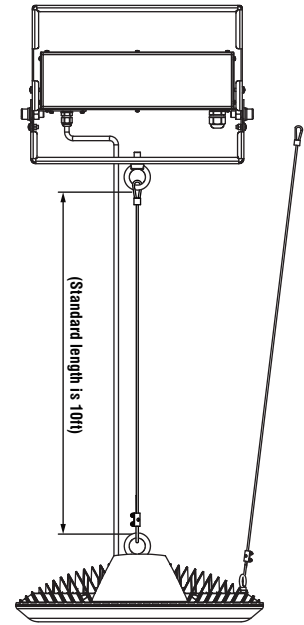
Whiz 2.0 - Tunable White Version (ColorFlip™)



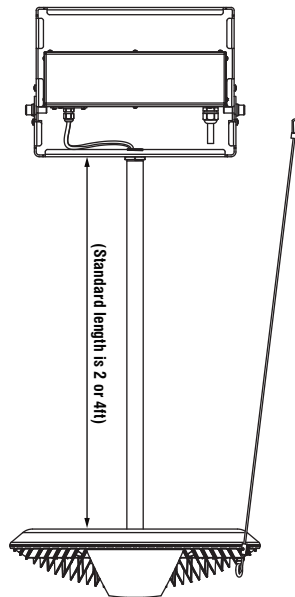
Mounting Options



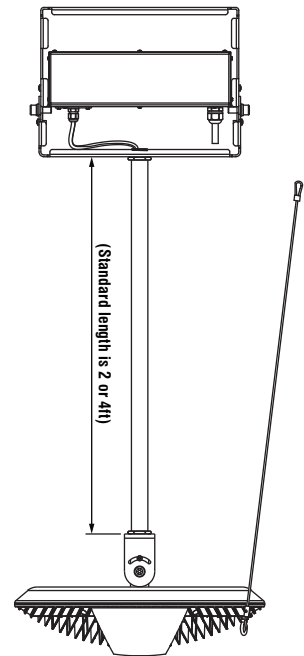
Stem



Adjustable Aircraft Cable



Uplight



Adjustable Uplight

Whiz 2.0 - Tunable White Version (ColorFlip™)

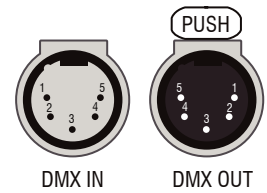


DMX Requirements*

Each Whiz 2.0 DMX unit has TWO CHANNELS per fixture (1 to control intensity, 1 to control color).
 Fixture will be controlled by DMX number controlling intensity.
 We do not recommend more than 32 fixtures per DMX daisy chain.
 When placing order, please indicate DMX address (refer to DMX Address example below).
 DMX address will be listed on the back of each fixture.

Fixture	DMX Address	
	Intensity Control (ex. X)	Color Control (ex. X+1)
#1	1	2
#2	3	4
#3	5	6

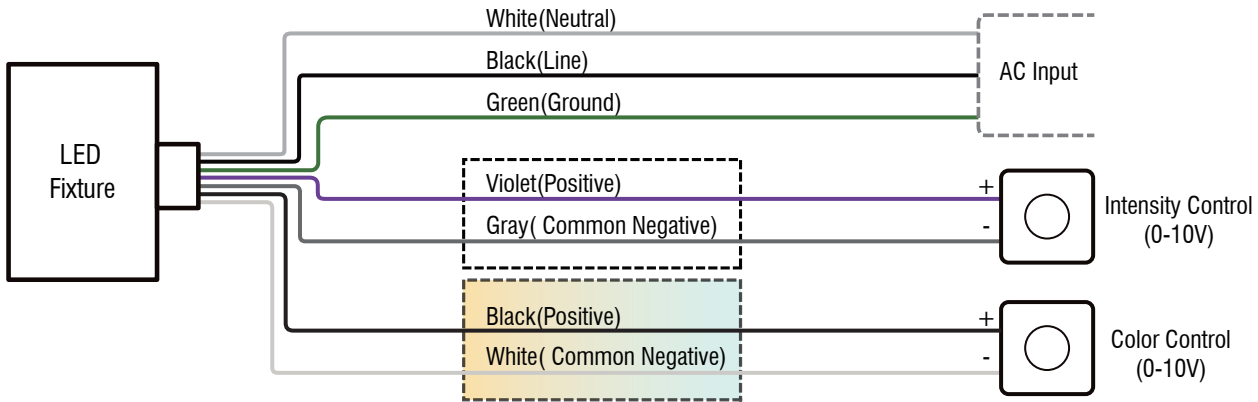
CONNECTION	5-PIN XLR
Common	PIN 1
Signal -	PIN 2
Signal +	PIN 3
Spare	PIN 4
Spare	PIN 5



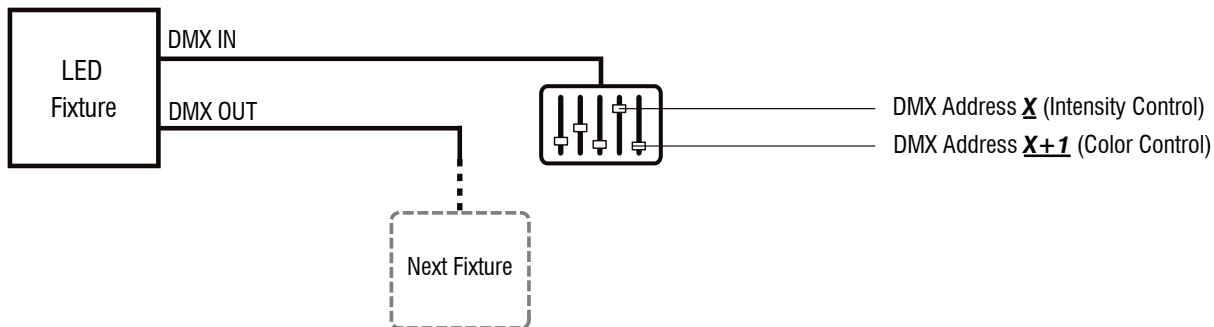
XLR Socket

The LED fixture provide RJ45 Socket or XLR socket to connect. (DMX cable NOT included.)
 The final fixture should be terminated by the use of DMX Terminator (by others).

Superior 0-10V Wiring Diagram



DMX Wiring Diagram

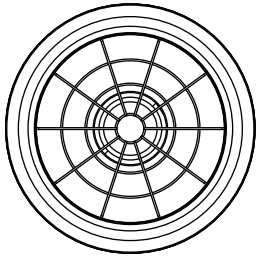


ADVANCED HIGH CEILING

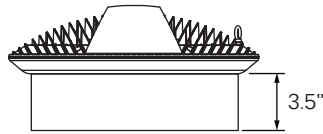
Whiz 2.0 - Tunable White Version (ColorFlip™)



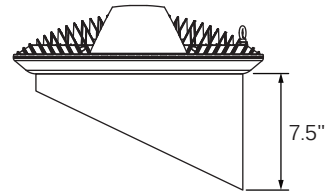
Accessory



Wire Guard



Snoot



Glare Shield Visor

150W (75W: 3000K; 75W: 5000K)
300W (150W: 3000K; 150W: 5000K)

