

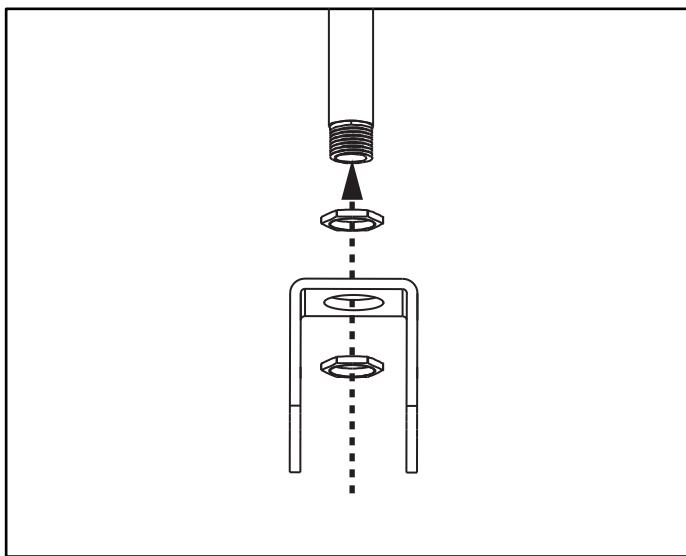
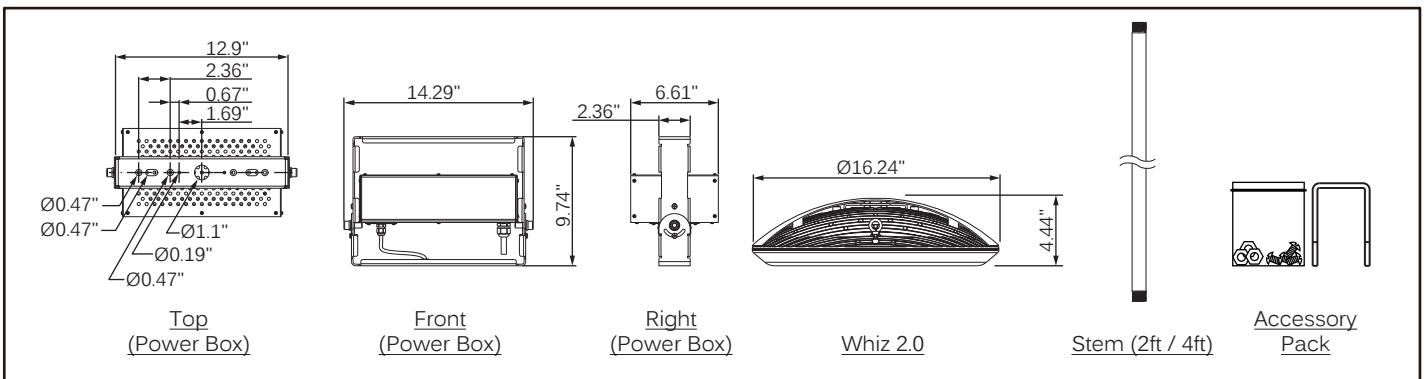
# ADVANCED HIGH CEILING Whiz 2.0 - Adjustable Uplight



## IMPORTANT SAFETY INFORMATION. READ AND FOLLOW ALL SAFETY INSTRUCTIONS

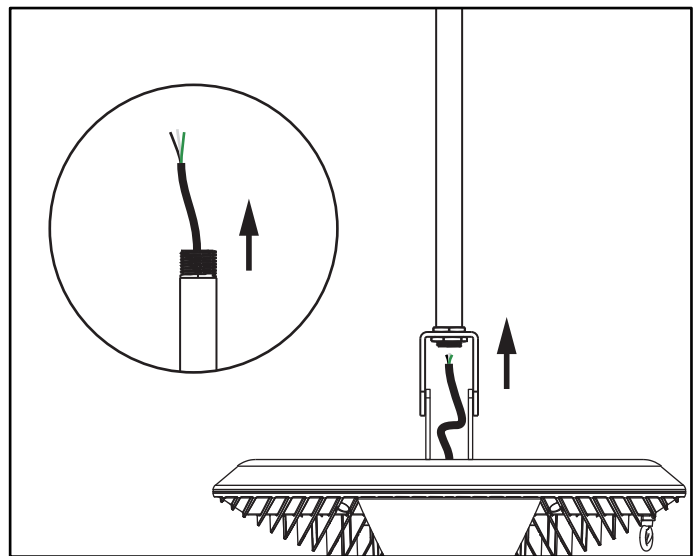
IMPORTANT SAFETY INFORMATION. READ AND FOLLOW ALL SAFETY INSTRUCTIONS. Before wiring to power supply and during servicing or relamping, turn off power at fuse or circuit breaker. All servicing or relamping must be performed by qualified service personnel. Product must be grounded to avoid potential electric shock or other potential hazard. Product must be at locations and at heights and in a manner consistent with its intended use, and in compliance with Electrical Code and local codes.

**SAVE THESE INSTRUCTIONS FOR FUTURE REFERENCE.**



### Step 1

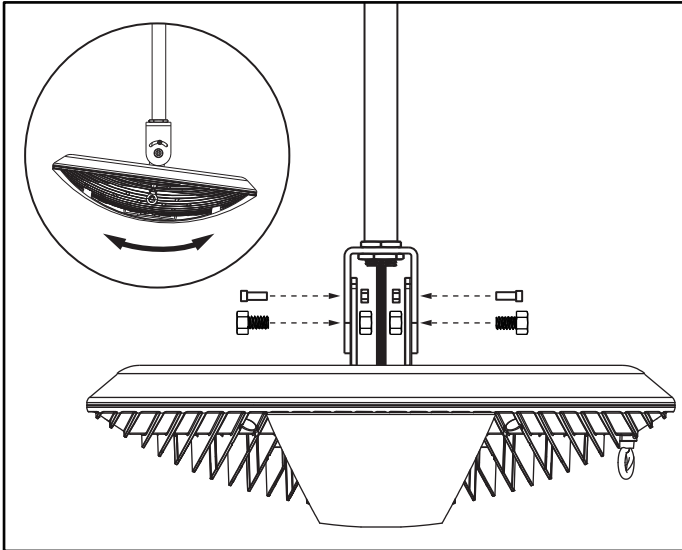
Fasten 2 Hex screw on either side of the upright bracket.



### Step 2

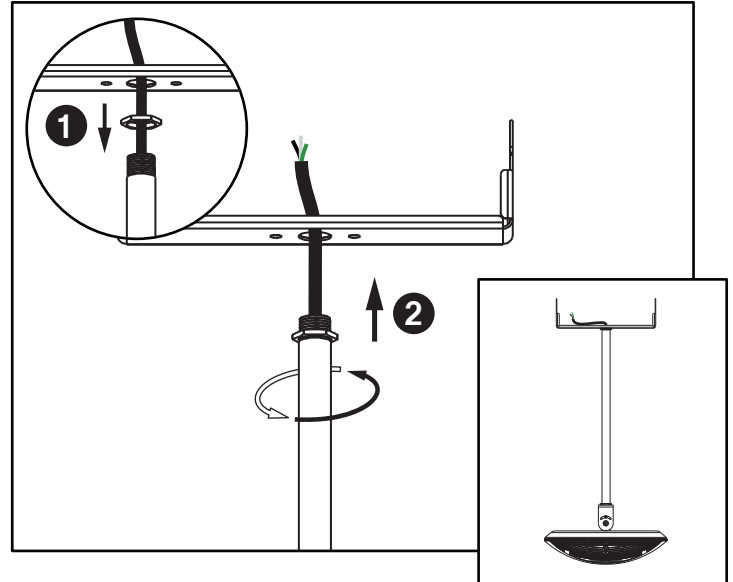
Fixture cables go through the stem and all the way through.

# ADVANCED HIGH CEILING Whiz 2.0 - Adjustable Uplight



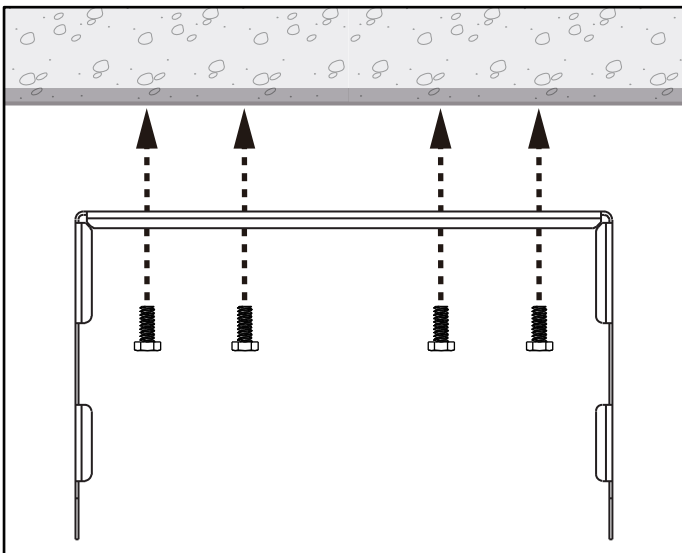
### Step 3

Fasten the uplight bracket with the provided screws.



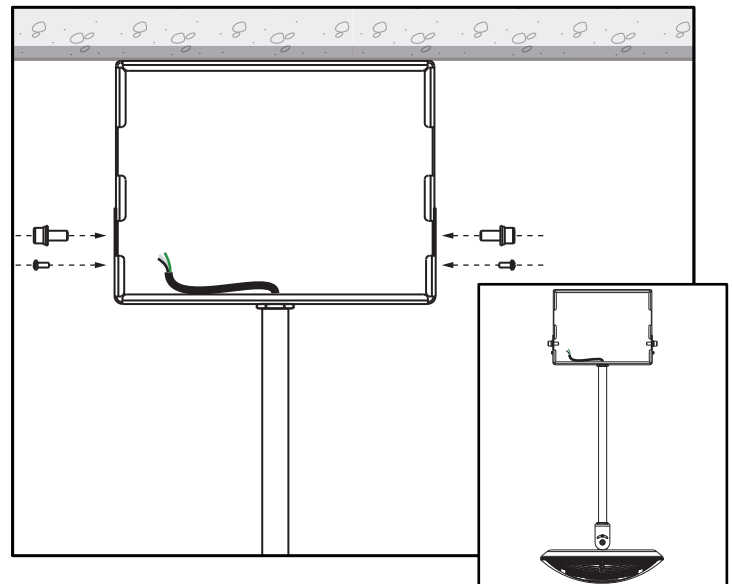
### Step 4

First, push the cables through a Hex screw and tighten on stem grooves. Second, fasten the stem onto the lower bracket.



### Step 5

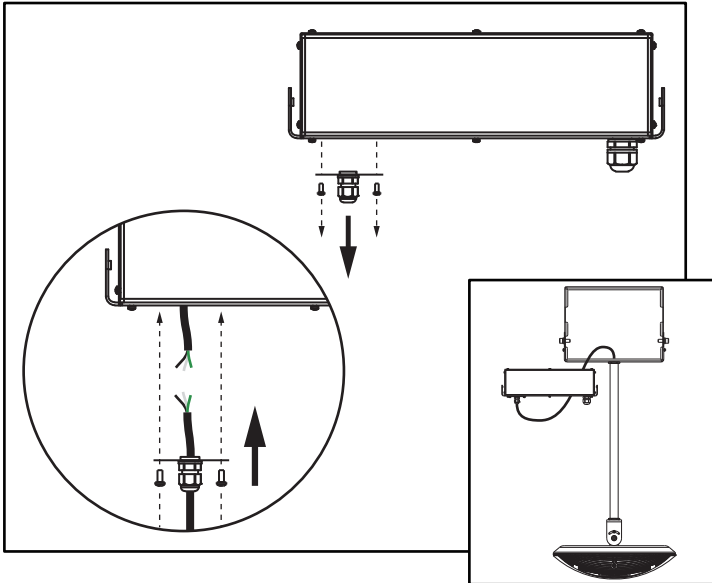
Fasten the top bracket on the desired location on the ceiling.



### Step 6

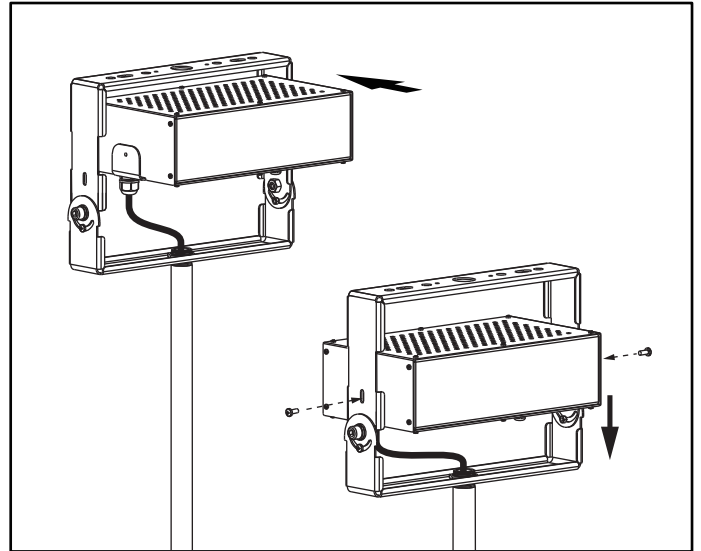
Align both lower and upper brackets and fasten in place.

# ADVANCED HIGH CEILING Whiz 2.0 - Adjustable Uplight



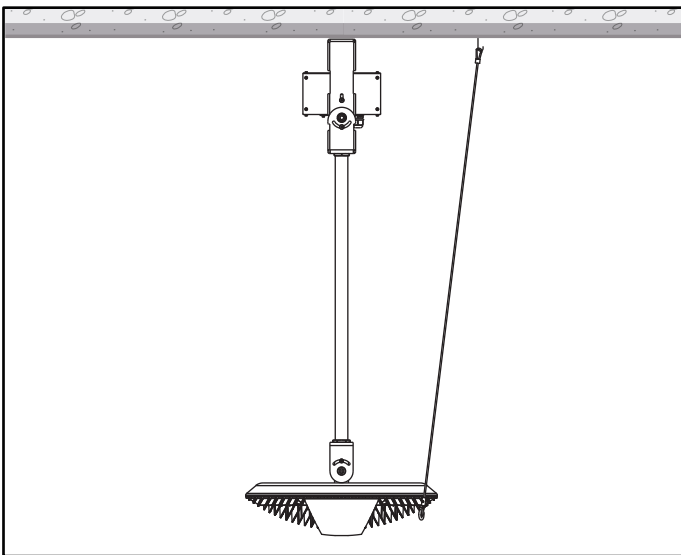
### Step 7

Open the DC Junction box and connect cables. Refer to wiring diagram section.



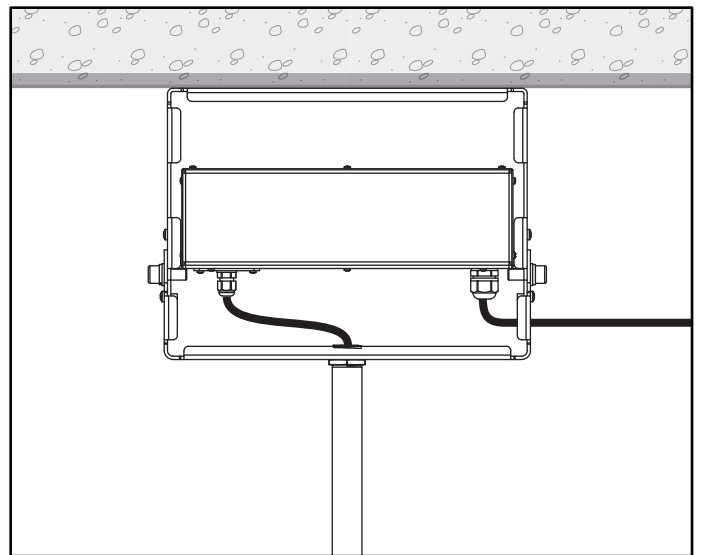
### Step 8

Slip the power box hook fastener over the lock-in grooves allocated and fasten screws on either side to keep the power box in place.



### Step 9

Hook the safety cable.



### Step 10

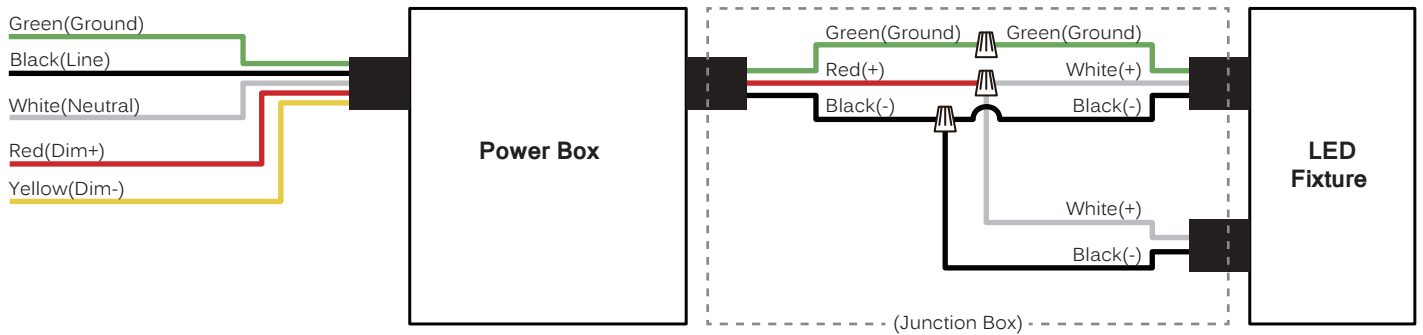
Connect AC Cable to Junction Box.

# ADVANCED HIGH CEILING Whiz 2.0 - Adjustable Uplight

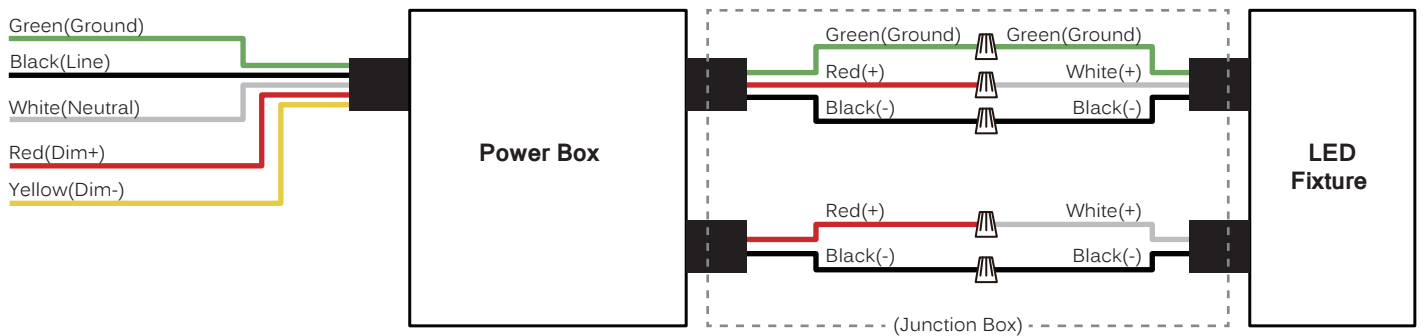


## Wiring Diagram

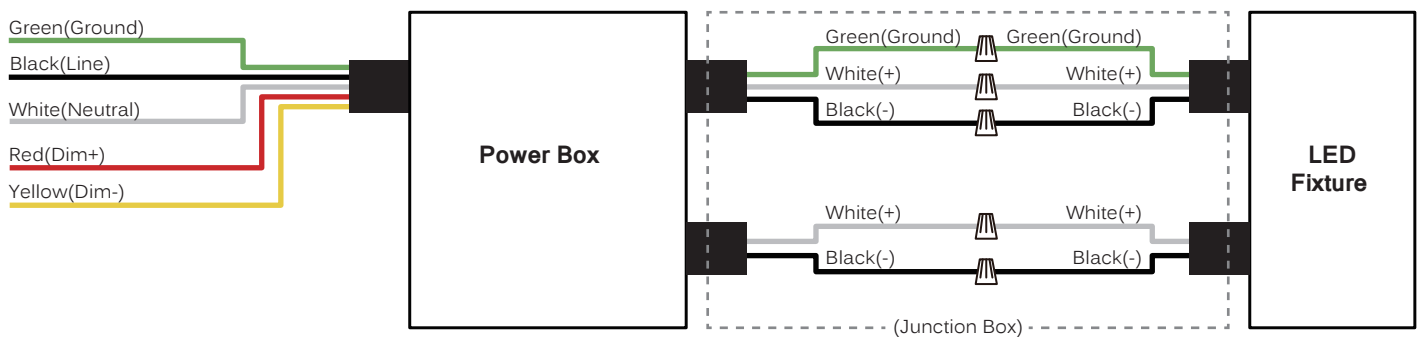
Standard 0-10V (WS2.0-120 / WS2.0-170 / WS2.0-240)



Standard 0-10V (WS2.0-300)



Superior 0-10V

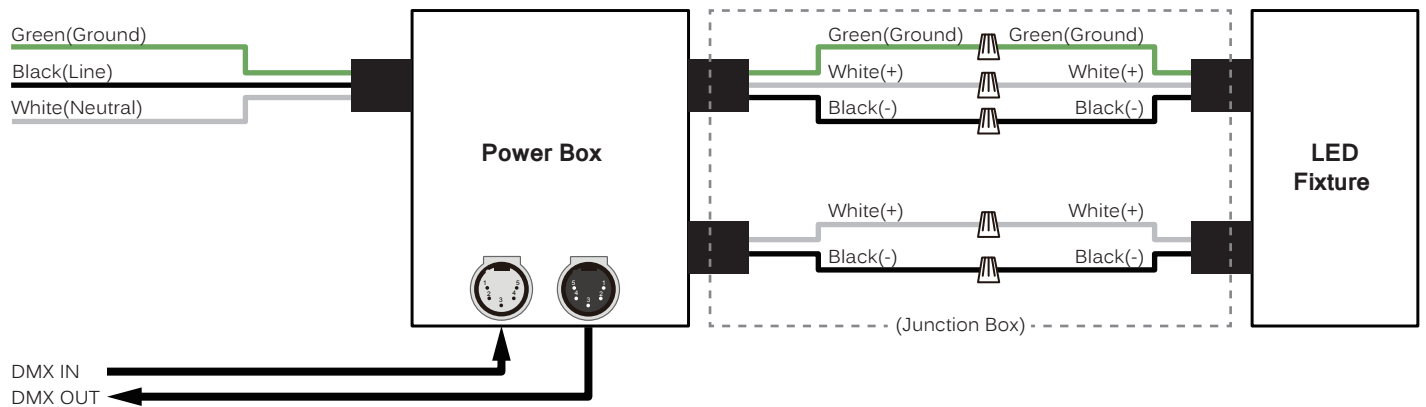


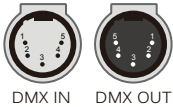
# ADVANCED HIGH CEILING Whiz 2.0 - Adjustable Uplight



## Wiring Diagram

### DMX





CONNECTION	5-PIN XLR
Common	PIN 1
Signal -	PIN 2
Signal +	PIN 3
Spare	PIN 4
Spare	PIN 5

XLR Socket

\*The last fixture has to be terminated with a DMX Terminator (by others).

DMX512 is connected using a daisy-chain methodology where the source connects to the input of the first device, the output of the first device connects to the input of the next device, and so on.