

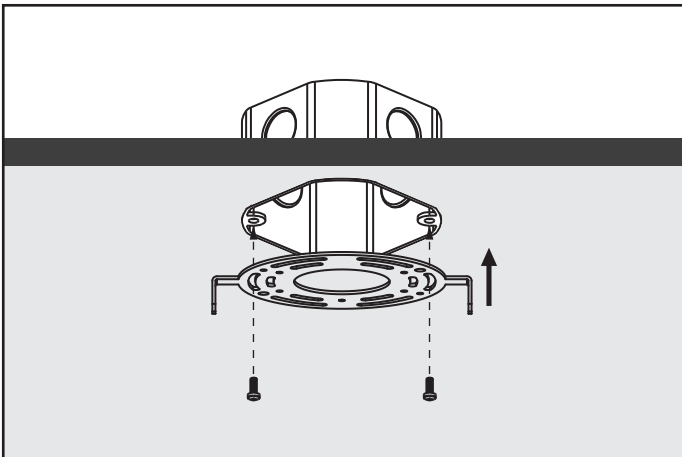
ADVANCED HIGH CEILING Vela 4 - Cord Mount



IMPORTANT SAFETY INFORMATION. READ AND FOLLOW ALL SAFETY INSTRUCTIONS

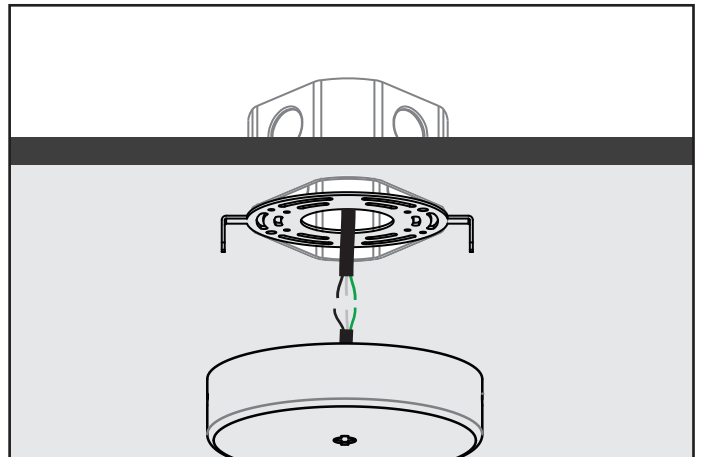
IMPORTANT SAFETY INFORMATION. READ AND FOLLOW ALL SAFETY INSTRUCTIONS. Before wiring to power supply and during servicing or relamping, turn off power at fuse or circuit breaker. All servicing or relamping must be performed by qualified service personnel. Product must be grounded to avoid potential electric shock or other potential hazard. Product must be at locations and at heights and in a manner consistent with its intended use, and in compliance with Electrical Code and local codes.

SAVE THESE INSTRUCTIONS FOR FUTURE REFERENCE.



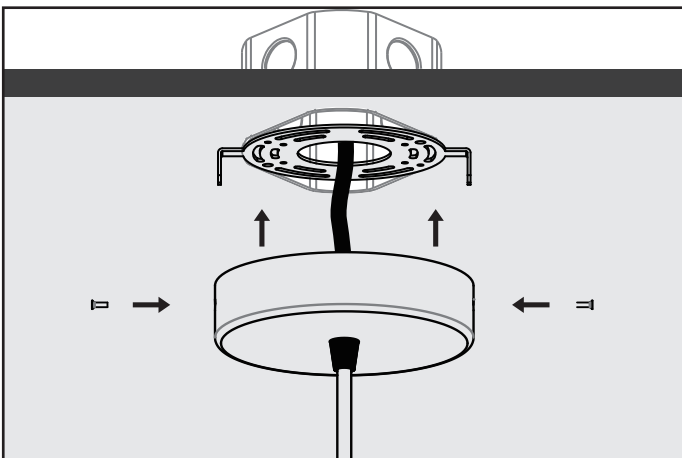
Step 1

Screw in the cord mount bracket on the junction box using 2 screws.



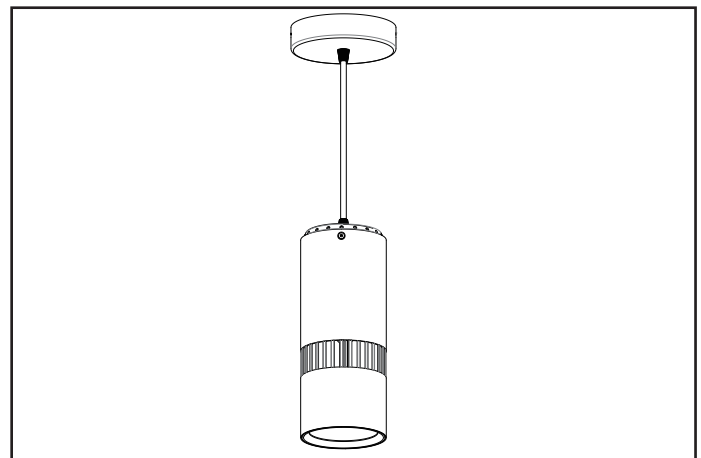
Step 2

Make electrical connections between junction box and fixture (refer to wiring diagram).



Step 3

Cover junction box with mounting plate by securing 2 allen screws on either side of canopy.



ADVANCED HIGH CEILING Vela 4 - Cord Mount

Wiring Diagram

0-10V / Dims to off

