

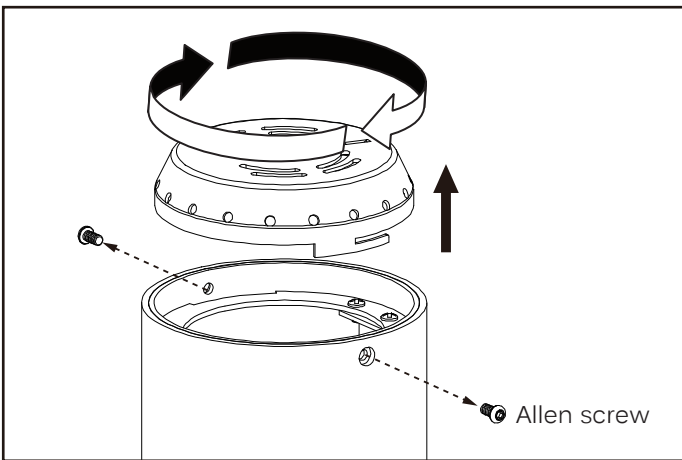
# ADVANCED HIGH CEILING Vela 6 - Surface Mount



## IMPORTANT SAFETY INFORMATION. READ AND FOLLOW ALL SAFETY INSTRUCTIONS

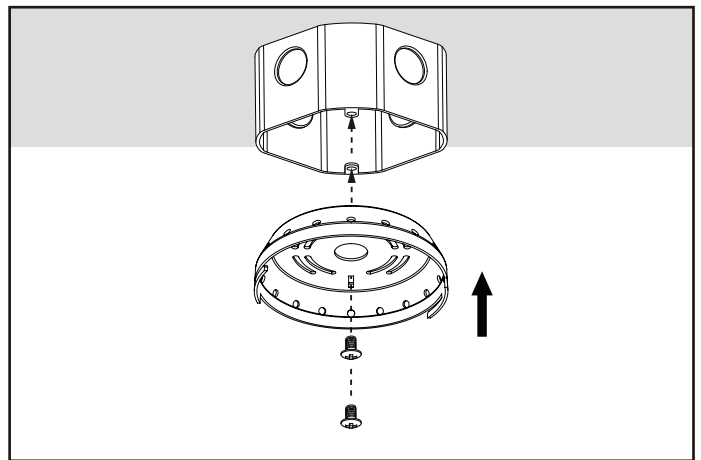
IMPORTANT SAFETY INFORMATION. READ AND FOLLOW ALL SAFETY INSTRUCTIONS. Before wiring to power supply and during servicing or relamping, turn off power at fuse or circuit breaker. All servicing or relamping must be performed by qualified service personnel. Product must be grounded to avoid potential electric shock or other potential hazard. Product must be at locations and at heights and in a manner consistent with its intended use, and in compliance with Electrical Code and local codes.

SAVE THESE INSTRUCTIONS FOR FUTURE REFERENCE.



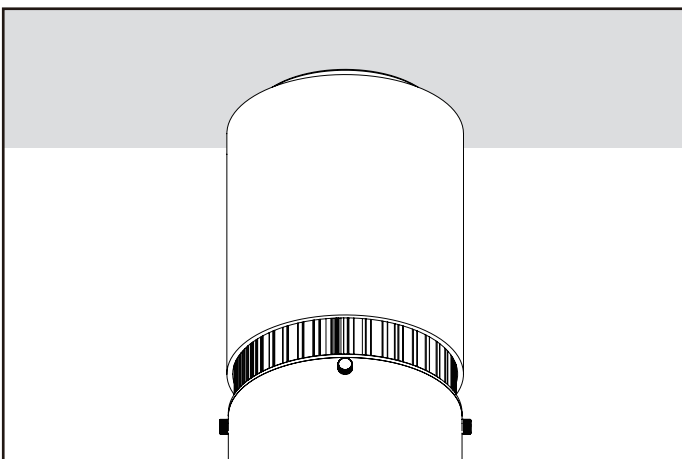
### Step 1

Loosen two Allen screws on the side of fixture. Twist and remove the lid from cylinder fixture.



### Step 2

Attach the lid directly to the junction box (not provided).



### Step 3

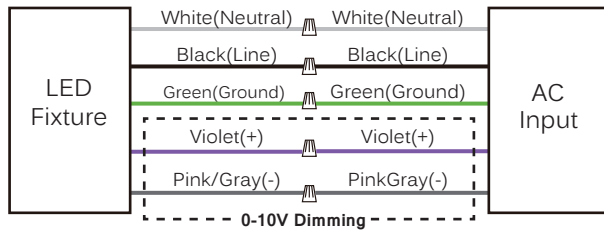
Mount fixture to mounting bracket and screw 2 Allen screws on either sides of the fixture.

# ADVANCED HIGH CEILING Vela 6 - Surface Mount



## Wiring Diagram

0-10V



SPD

