

# Vela 6 - Outdoor



New high performing 6-inch aperture cylinder with lumen output of 3,798 – 9,427 lm. Available in Aluminum Shrouds, Polycarbonate Shrouds options. Suitable for general illumination in a wide variety of project applications.

Quantity	Type
Project	Note

## Electrical System

8058lm (100W / STD)  
 9427lm (100W / PCS)  
 8330lm (100W / ALS)

- Power Input: Universal (120-277V)
- Operating Temperature: -13°F~112°F
- Surge Protection: 4KV

## LED Technology

- 3000K, 3500K, 4000K
- 85 CRI
- Beam Angle: 80°
- Rated Life > 100,000 hours (L70)

## Advanced Dimming

- (Proprietary VX Driver is incorporated to all dimming options for video flicker-free lighting)
- Standard 0-10V: dims to 10%

## Housing

- Diameter: 6.4" (164mm)
- Height: Standard / 11.6" (294mm)
  - Shroud 16" / 22.7" (576mm)
  - Shroud 19" / 24.9" (632mm)
  - Shroud 22" / 26.0" (660mm)
- Material: Aluminum, PC
- Weight: Standard / 11.2 lbs
  - Aluminum Shroud 16" / 14.1 lbs
  - Aluminum Shroud 22" / 21.4 lbs
  - Polycarbonate Shroud 16" / 13.2 lbs
  - Polycarbonate Shroud 19" / 16.3 lbs
  - Polycarbonate Shroud 22" / 18.3 lbs

## Mounting

- Stem 2ft or 4ft
- Adjustable Aircraft Cable 10ft
- Surface Mount

## Warranty

- 5 years limited warranty.

## Listing

- ETL Wet Location Listed
- FCC
- CE



# Vela 6 - Outdoor



## How To Specify:

**Ordering Example:VA6-ALS16-100-408-UNV-STV-BLK-ST2**

**4-5 weeks lead time on over 75% of specifications.**

Model	Type	Wattage	CCT / CRI	Voltage
VA6				UNV
VA6	<b>STD</b> Standard	<b>50</b> 50W	<b>308</b> 3000K / CRI85	<b>UNV</b> 120-277V
Vela 6	<b>ALS16</b> <sup>1</sup> Aluminum Shroud 16"	<b>75</b> 75W	<b>358</b> 3500K / CRI85	
	<b>ALS22</b> <sup>1</sup> Aluminum Shroud 22"	<b>100</b> 100W	<b>408</b> 4000K / CRI85	
	<b>PCS16</b> <sup>1</sup> Polycarbonate Shroud 16"			
	<b>PCS19</b> <sup>1</sup> Polycarbonate Shroud 19"			
	<b>PCS22</b> <sup>1</sup> Polycarbonate Shroud 22"			
<sup>1</sup> All outdoor products with shrouds comes with conical lens included. Please factor in -15% change in lumen output with conical lens.				

Dimming	Finish	Mounting	Accessories
<b>STV</b>			
<b>STV</b> Standard 0-10V dims to 10%	<b>BLK</b> Black <b>WHT</b> White	<b>ST2</b> Stem 2ft <b>ST4</b> Stem 4ft <b>AD10</b> Adjustable Cable 10ft <b>SUM</b> Surface Mount	<b>SPD</b> <sup>1</sup> Surge Protector
<sup>1</sup> Surge protector for up to 10KV. Applicable for unstable mains or facilities using high power machinery.			

## Current Consumption

Wattage \ Volt	120V	277V
50W	0.46A	0.20A
75W	0.68A	0.30A
100W	0.92A	0.40A

# Vela 6 - Outdoor



## Delivered Lumens\*

Wattage	50W	75W	100W
CCT	STD		
4000K	4029 lm	6044 lm	8058 lm
3500K	3908 lm	5862 lm	7817 lm
3000K	3798 lm	5697 lm	7596 lm

\*Tolerance±8%

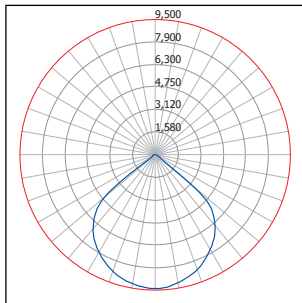
Wattage	50W	75W	100W
CCT	PCS		
4000K	4713 lm	7070 lm	9427 lm
3500K	4572 lm	6858 lm	9143 lm
3000K	4443 lm	6664 lm	8885 lm

\*Tolerance±8%

Wattage	50W	75W	100W
CCT	ALS		
4000K	4165 lm	6248 lm	8330 lm
3500K	4029 lm	6044 lm	8058 lm
3000K	3910 lm	5865 lm	7820 lm

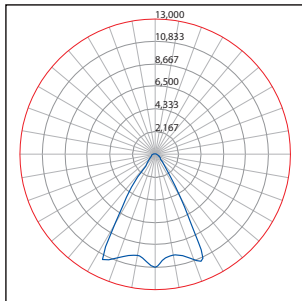
\*Tolerance±8%

## Typical Photometry Summary



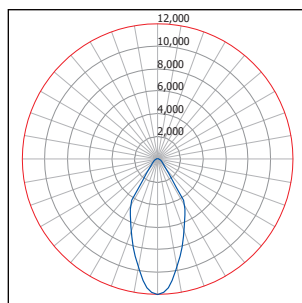
### STD

Descriptive Information  
 Total delivered lumens:  
 8,058 Lumens Input watts at  
 120V: 100 W  
 Efficacy: 80.6  
 Lumens/Watt  
 Source: LED  
 CCT/CRI: 4000K/85CRI



### PCS

Descriptive Information  
 Total delivered lumens:  
 9,427 Lumens Input watts at  
 120V: 100 W  
 Efficacy: 94.2  
 Lumens/Watt  
 Source: LED  
 CCT/CRI: 4000K/85CRI

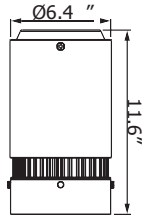


### ALS

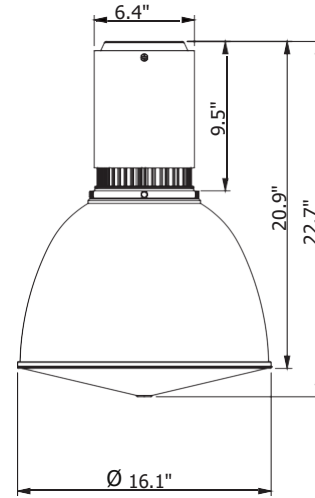
Descriptive Information  
 Total delivered lumens:  
 8,956 Lumens Input watts at  
 120V: 100 W  
 Efficacy: 89.5  
 Lumens/Watt  
 Source: LED  
 CCT/CRI: 4000K/85CRI

# Vela 6 - Outdoor

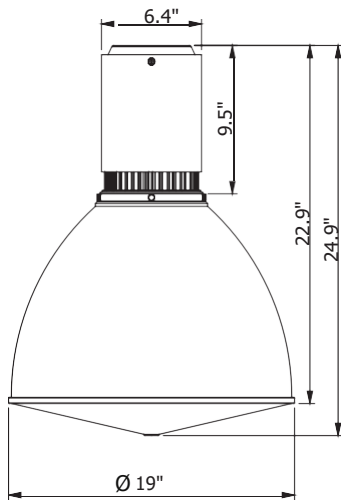
## Dimensions



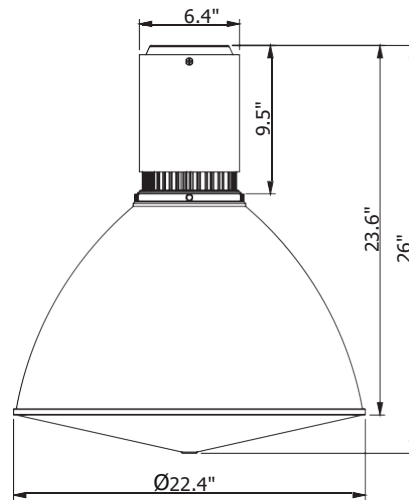
Standard



ALS16 / PCS16



PCS19



PCS22

# Vela 6 - Outdoor

## Mounting Options

