

Vela 6 - Outdoor



New high performing 6-inch aperture cylinder with lumen output of 3,798 – 9,427 lm. Available in Aluminum Shrouds, Polycarbonate Shrouds options. Suitable for general illumination in a wide variety of project applications.

Quantity	Type
Project	Note

Electrical System

8058lm (100W / STD)
 9427lm (100W / PCS)
 8330lm (100W / ALS)

- Power Input: Universal (120-277V)
- Operating Temperature: -13°F~112°F
- Surge Protection: 4KV

LED Technology

- 3000K, 3500K, 4000K
- 85 CRI
- Beam Angle: 80°
- Rated Life > 100,000 hours (L70)

Advanced Dimming

- (Proprietary VX Driver is incorporated to all dimming options for video flicker-free lighting)
- Standard 0-10V: dims to 10%

Housing

- Diameter: 6.4" (164mm)
- Height: Standard / 11.6" (294mm)
 - Shroud 16" / 22.7" (576mm)
 - Shroud 19" / 24.9" (632mm)
 - Shroud 22" / 26.0" (660mm)
- Material: Aluminum, PC
- Weight: Standard / 11.2 lbs
 - Aluminum Shroud 16" / 14.1 lbs
 - Aluminum Shroud 22" / 21.4 lbs
 - Polycarbonate Shroud 16" / 13.2 lbs
 - Polycarbonate Shroud 19" / 16.3 lbs
 - Polycarbonate Shroud 22" / 18.3 lbs

Mounting

- Stem 2ft or 4ft
- Adjustable Aircraft Cable 10ft
- Surface Mount

Warranty

- 5 years limited warranty.

Listing

- ETL Wet Location Listed
- FCC
- CE



Vela 6 - Outdoor



How To Specify:

Ordering Example:VA6-ALS16-100-408-UNV-STV-BLK-ST2

4-5 weeks lead time on over 75% of specifications.

Model	Type	Wattage	CCT / CRI	Voltage
VA6				UNV
VA6	STD Standard	50 50W	308 3000K / CRI85	UNV 120-277V
Vela 6	ALS16¹ Aluminum Shroud 16"	75 75W	358 3500K / CRI85	
	ALS22¹ Aluminum Shroud 22"	100 100W	408 4000K / CRI85	
	PCS16¹ Polycarbonate Shroud 16"			
	PCS19¹ Polycarbonate Shroud 19"			
	PCS22¹ Polycarbonate Shroud 22"			
¹ All outdoor products with shrouds comes with conical lens included. Please factor in -15% change in lumen output with conical lens.				

Dimming	Finish	Mounting	Accessories
STV			
STV Standard 0-10V dims to 10%	BLK Black WHT White	ST2 Stem 2ft ST4 Stem 4ft AD10 Adjustable Cable 10ft SUM Surface Mount	SPD¹ Surge Protector
¹ Surge protector for up to 10KV. Applicable for unstable mains or facilities using high power machinery.			

Current Consumption

Wattage \ Volt	120V	277V
50W	0.46A	0.20A
75W	0.68A	0.30A
100W	0.92A	0.40A

Vela 6 - Outdoor



Delivered Lumens*

Wattage	50W	75W	100W
CCT	STD		
4000K	4029 lm	6044 lm	8058 lm
3500K	3908 lm	5862 lm	7817 lm
3000K	3798 lm	5697 lm	7596 lm

Wattage	50W	75W	100W
CCT	PCS		
4000K	4713 lm	7070 lm	9427 lm
3500K	4572 lm	6858 lm	9143 lm
3000K	4443 lm	6664 lm	8885 lm

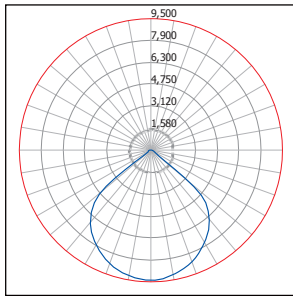
Wattage	50W	75W	100W
CCT	ALS		
4000K	4165 lm	6248 lm	8330 lm
3500K	4029 lm	6044 lm	8058 lm
3000K	3910 lm	5865 lm	7820 lm

*Tolerance±8%

*Tolerance±8%

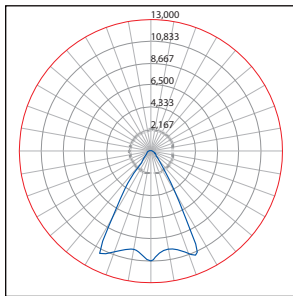
*Tolerance±8%

Typical Photometry Summary



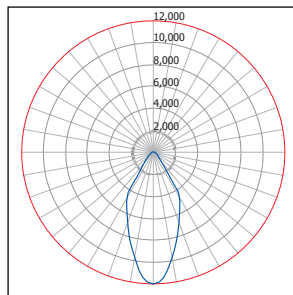
STD

Descriptive Information
 Total delivered lumens:
 8,058 Lumens Input watts at
 120V: 100 W
 Efficacy: 80.6
 Lumens/Watt
 Source: LED
 CCT/CRI: 4000K/85CRI



PCS

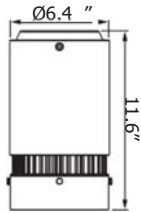
Descriptive Information
 Total delivered lumens:
 9,427 Lumens Input watts at
 120V: 100 W
 Efficacy: 94.2
 Lumens/Watt
 Source: LED
 CCT/CRI: 4000K/85CRI



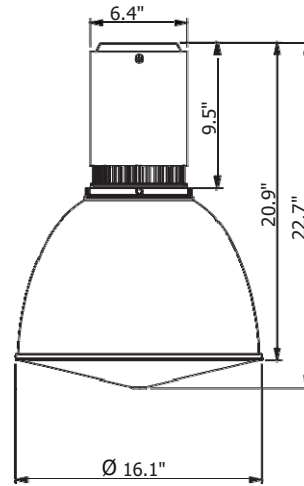
ALS

Descriptive Information
 Total delivered lumens:
 8,956 Lumens Input watts at
 120V: 100 W
 Efficacy: 89.5
 Lumens/Watt
 Source: LED
 CCT/CRI: 4000K/85CRI

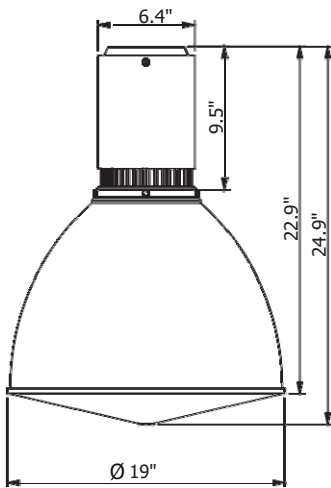
Dimensions



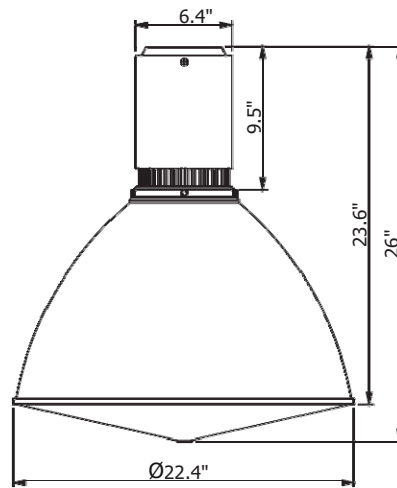
Standard



ALS16 / PCS16



PCS19



PCS22

Vela 6 - Outdoor

Mounting Options

