

Vela 6 - Outdoor



New high performing 6-inch aperture cylinder with lumen output of 3,798 – 9,427 lm. Available in Aluminum Shrouds, Polycarbonate Shrouds options. Suitable for general illumination in a wide variety of project applications.

Quantity	Type
Project	Note

Electrical System

- 8058lm (100W / STD)
- 9427lm (100W / PCS)
- 8330lm (100W / ALS)
- Power Input: Universal (120-277V)
- Operating Temperature: -13°F~112°F
- Surge Protection: 4KV

LED Technology

- 3000K, 3500K, 4000K
- 85 CRI
- Beam Angle: 80°
- Rated Life > 100,000 hours (L70)

Advanced Dimming

- (Proprietary VX Driver is incorporated to all dimming options for video flicker-free lighting)
- Standard 0-10V: dims to 10%

Housing

- Diameter: 6.4" (164mm)
- Height: Standard / 11.6" (294mm)
 - Shroud 16" / 22.7" (576mm)
 - Shroud 19" / 24.9" (632mm)
 - Shroud 22" / 26.0" (660mm)
- Material: Aluminum, PC
- Weight: Standard / 11.2 lbs
 - Aluminum Shroud 16" / 14.1 lbs
 - Polycarbonate Shroud 16" / 13.2 lbs
 - Polycarbonate Shroud 19" / 16.3 lbs
 - Polycarbonate Shroud 22" / 18.3 lbs

Mounting

- Stem 2ft or 4ft
- Adjustable Aircraft Cable 10ft
- Surface Mount

Warranty

- 5 years limited warranty.

Listing

- ETL Wet Location Listed
- FCC
- CE



Vela 6 - Outdoor



How To Specify:

Ordering Example:VA6-ALS16-100-408-UNV-STV-BLK-ST2

4-5 weeks lead time on over 75% of specifications.

Model	Type	Wattage	CCT / CRI	Voltage
VA6				UNV
VA6	STD Standard	50 50W	308 3000K / CRI85	UNV 120-277V
Vela 6	ALS16¹ Aluminum Shroud 16"	75 75W	358 3500K / CRI85	
	PCS16¹ Polycarbonate Shroud 16"	100 100W	408 4000K / CRI85	
	PCS19¹ Polycarbonate Shroud 19"			
	PCS22¹ Polycarbonate Shroud 22"			
¹ All outdoor products with shrouds comes with conical lens included. Please factor in -15% change in lumen output with conical lens.				

Dimming	Finish	Mounting	Accessories
STV			
STV Standard 0-10V dims to 10%	BLK Black WHT White	ST2 Stem 2ft ST4 Stem 4ft AD10 Adjustable Cable 10ft SUM Surface Mount	SPD¹ Surge Protector ¹ Surge protector for up to 10KV. Applicable for unstable mains or facilities using high power machinery.

Current Consumption

Wattage \ Volt	120V	277V
50W	0.46A	0.20A
75W	0.68A	0.30A
100W	0.92A	0.40A

Vela 6 - Outdoor



Delivered Lumens*

Wattage \ CCT	50W	75W	100W
	STD		
4000K	4029 lm	6044 lm	8058 lm
3500K	3908 lm	5862 lm	7817 lm
3000K	3798 lm	5697 lm	7596 lm

*Tolerance±8%

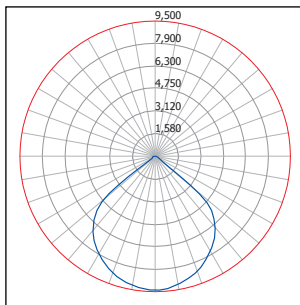
Wattage \ CCT	50W	75W	100W
	PCS		
4000K	4713 lm	7070 lm	9427 lm
3500K	4572 lm	6858 lm	9143 lm
3000K	4443 lm	6664 lm	8885 lm

*Tolerance±8%

Wattage \ CCT	50W	75W	100W
	ALS		
4000K	4165 lm	6248 lm	8330 lm
3500K	4029 lm	6044 lm	8058 lm
3000K	3910 lm	5865 lm	7820 lm

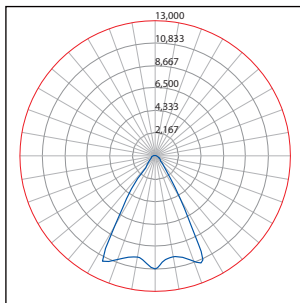
*Tolerance±8%

Typical Photometry Summary



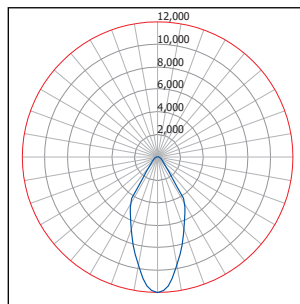
STD

Descriptive Information
 Total delivered lumens: 8,058 Lumens
 Input watts at 120V: 100 W
 Efficacy: 80.6 Lumens/Watt
 Source: LED
 CCT/CRI: 4000K/85CRI



PCS

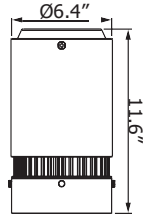
Descriptive Information
 Total delivered lumens: 9,427 Lumens
 Input watts at 120V: 100 W
 Efficacy: 94.2 Lumens/Watt
 Source: LED
 CCT/CRI: 4000K/85CRI



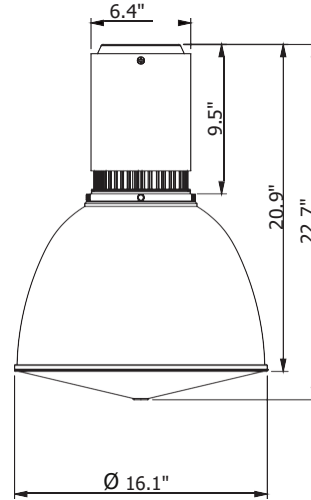
ALS

Descriptive Information
 Total delivered lumens: 8,956 Lumens
 Input watts at 120V: 100 W
 Efficacy: 89.5 Lumens/Watt
 Source: LED
 CCT/CRI: 4000K/85CRI

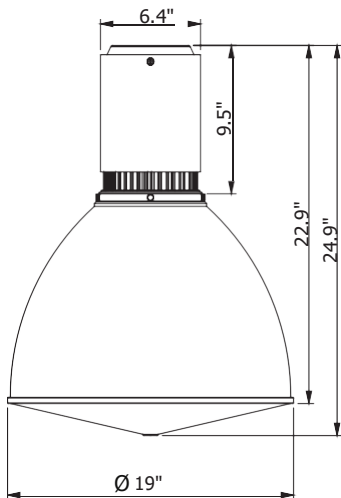
Dimensions



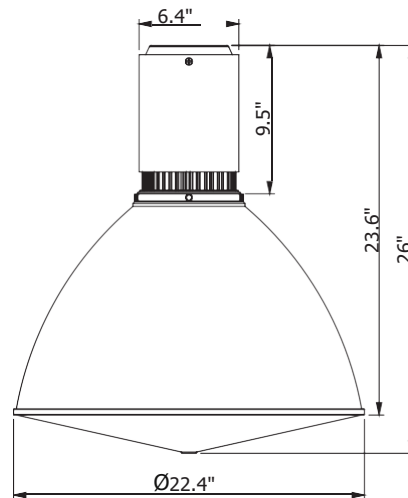
Standard



ALS16 / PCS16



PCS19



PCS22

Vela 6 - Outdoor

Mounting Options

