

# Vela 6 - Indoor



New high performing 6-inch aperture cylinder with lumen output of 2,750 – 11,090 lm. Available in Aluminum Shrouds, Polycarbonate Shrouds, Translucent Acrylic Diffuser or Clear Acrylic Diffuser options. Suitable for general illumination in a wide variety of project applications.

Quantity	Type
Project	Note

## Electrical System

- 9480lm (100W / STD)
- 11090lm (100W / PCS16)
- 10536lm (100W / ALS16)
- 5836lm (100W / TAD)
- 7532lm (100W / CAD)
- Power Input: Universal (120-277V)
- Operating Temperature: -13°F~112°F
- Surge Protection: 4KV
- Remote Emergency Pack: Bodine BSL20LV

## LED Technology

- 3000K, 3500K, 4000K
- 85 CRI
- Beam Angle: 80°
- Rated Life > 60,000 hours (L70)

## Advanced Dimming

- (Proprietary VX Driver is incorporated to all dimming options for video flicker-free lighting)
- Standard 1-10V: dims to 10%

## Mounting

- Surface Mount
- Stem 2ft or 4ft
- Adjustable Aircraft Cable 10ft

## Housing

- Diameter: 6.4" (164 mm)
- Height: Standard / 11.6" (294 mm)  
Diffuser / 21.2" (538 mm)  
Shroud 16" / 20.4" (518 mm)  
Shroud 19" / 21.9" (556 mm)  
Shroud 22" / 23.2" (584 mm)
- Material: Aluminum Body and Heatsink
- Weight: Standard / 11.2 lbs  
Diffuser / 12.6 lbs  
Aluminum Shroud 16" / 14.1 lbs  
Aluminum Shroud 19" / 17.2 lbs  
Aluminum Shroud 22" / 21.2 lbs  
Polycarbonate Shroud 16" / 13.2 lbs  
Polycarbonate Shroud 19" / 16.3 lbs  
Polycarbonate Shroud 22" / 18.3 lbs

## Warranty

- 5 years limited warranty

## Listing

- ETL Damp Location Listed
- FCC
- CE



# Vela 6 - Indoor



## How To Specify:

**Ordering Example: VA6-ALS16-100-408-UNV-STV-BLK-ST2**

**4-5 weeks lead time on over 75% of specifications.**

Model	Type	Wattage	CCT / CRI	Voltage
VA6				
VA6	<b>STD</b> Standard	<b>50</b> 50W	<b>308</b> 3000K / CRI 85	<b>UNV</b> 120-277V
Vela 6	<b>ALS16</b> Aluminum Shroud 16"	<b>75</b> 75W	<b>358</b> 3500K / CRI 85	
	<b>ALS19</b> Aluminum Shroud 19"	<b>100</b> 100W	<b>408</b> 4000K / CRI 85	
	<b>ALS22</b> Aluminum Shroud 22"			
	<b>PCS16</b> Polycarbonate Shroud 16"			
	<b>PCS19</b> Polycarbonate Shroud 19"			
	<b>PCS22</b> Polycarbonate Shroud 22"			
	<b>TAD</b> Translucent Acrylic Diffuser			
	<b>CAD</b> Clear Acrylic Diffuser			

Dimming	Finish	Mounting	Accessories
STV			
<b>STV</b> Standard 1-10V dims to 10%	<b>BLK</b> Black <b>WHT</b> White	<b>SUM</b> Surface Mount <b>ST2</b> Stem 2ft <b>ST4</b> Stem 4ft <b>AD10</b> Adjustable Cable 10ft	<b>SPD</b> <sup>1</sup> Surge Protector <b>EMP</b> Remote Emergency Pack <b>CON</b> <sup>2</sup> Conical Lens <b>ADB</b> <sup>3</sup> Aluminum Diffuser Band
			<sup>1</sup> Surge protector for up to 10KV. Applicable for unstable mains or facilities using high power machinery. <sup>2</sup> Please factor in -15% change in lumen output with CON <sup>3</sup> Diffuser band comes in the same color of luminaire, and is only available with PCS16

## Current Consumption

Wattage	Volt	
	120V	277V
50W	0.46A	0.20A
75W	0.68A	0.30A
100W	0.92A	0.40A

# Vela 6 - Indoor



## Delivered Lumens\*

Wattage	50W	75W	100W
CCT	<b>STD</b>		
4000K	4740 lm	7110 lm	9480 lm
3500K	4598 lm	6897 lm	9196 lm
3000K	4468 lm	6702 lm	8936 lm

\*Tolerance±8%

Wattage	50W	75W	100W
CCT	<b>PCS</b>		
4000K	5545 lm	8318 lm	11090 lm
3500K	5379 lm	8068 lm	10757 lm
3000K	5227 lm	7840 lm	10453 lm

\*Tolerance±8%

Wattage	50W	75W	100W
CCT	<b>ALS</b>		
4000K	5268 lm	7902 lm	10536 lm
3500K	5109 lm	7665 lm	10220 lm
3000K	4965 lm	7448 lm	9930 lm

\*Tolerance±8%

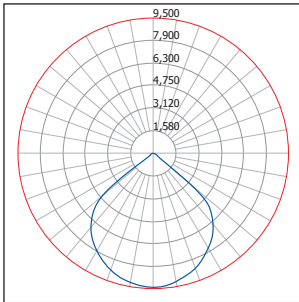
Wattage	50W	75W	100W
CCT	<b>TAD</b>		
4000K	2918 lm	4377 lm	5836 lm
3500K	2831 lm	4246 lm	5660 lm
3000K	2750 lm	4125 lm	5500 lm

\*Tolerance±8%

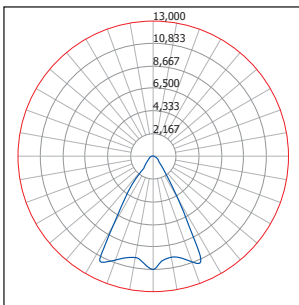
Wattage	50W	75W	100W
CCT	<b>CAD</b>		
4000K	3766 lm	5649 lm	7532 lm
3500K	3654 lm	5480 lm	7306 lm
3000K	3550 lm	5325 lm	7100 lm

\*Tolerance±8%

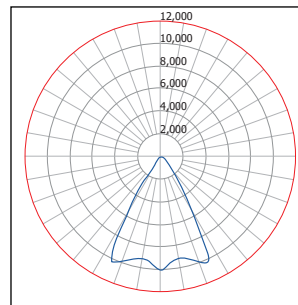
## Typical Photometry Summary



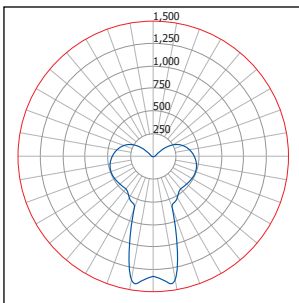
**STD**  
 Descriptive Information  
 Total delivered lumens: 9,480 Lumens  
 Input watts at 120V: 100 W  
 Efficacy: 94.8 Lumens/Watt  
 Source: LED  
 CCT/CRI: 4000K/85CRI



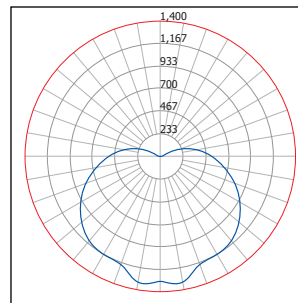
**PCS**  
 Descriptive Information  
 Total delivered lumens: 11,090 Lumens  
 Input watts at 120V: 100 W  
 Efficacy: 110 Lumens/Watt  
 Source: LED  
 CCT/CRI: 4000K/85CRI



**ALS**  
 Descriptive Information  
 Total delivered lumens: 10,536 Lumens  
 Input watts at 120V: 100 W  
 Efficacy: 105 Lumens/Watt  
 Source: LED  
 CCT/CRI: 4000K/85CRI



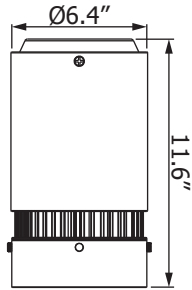
**TAD**  
 Descriptive Information  
 Total delivered lumens: 5,836 Lumens  
 Input watts at 120V: 100 W  
 Efficacy: 58.36 Lumens/Watt  
 Source: LED  
 CCT/CRI: 4000K/85CRI



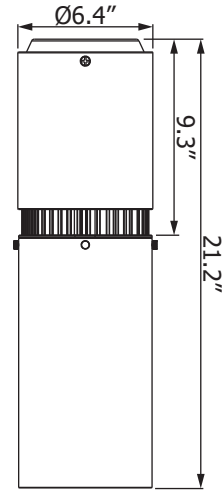
**CAD**  
 Descriptive Information  
 Total delivered lumens: 7,532 Lumens  
 Input watts at 120V: 100 W  
 Efficacy: 75.32 Lumens/Watt  
 Source: LED  
 CCT/CRI: 4000K/85CRI

# Vela 6 - Indoor

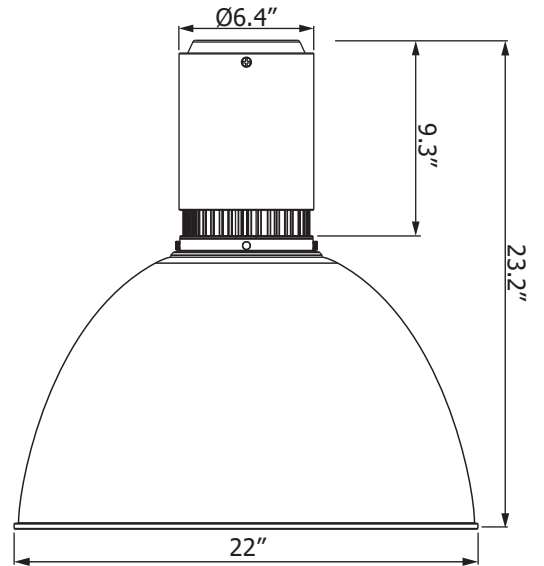
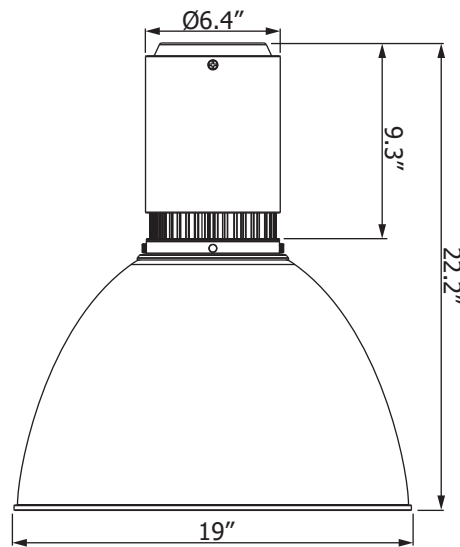
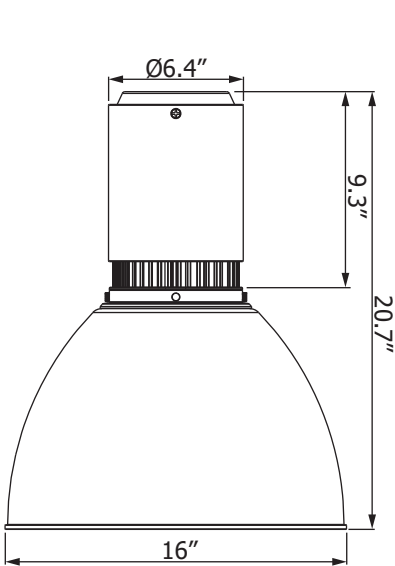
## Dimensions



Standard



Diffuser

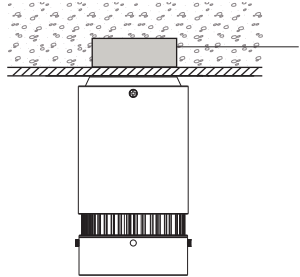


Aluminum Shroud / Polycarbonate Shroud

# Vela 6 - Indoor

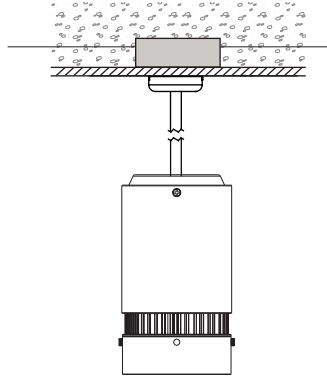


## Mounting Options



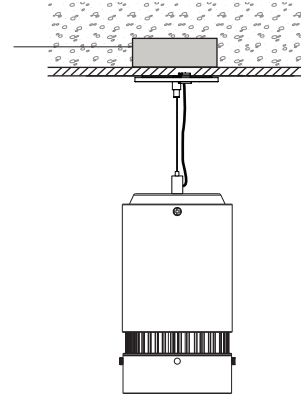
Surface Mount

Junction Box  
(not included)



Stem

Junction Box  
(not included)

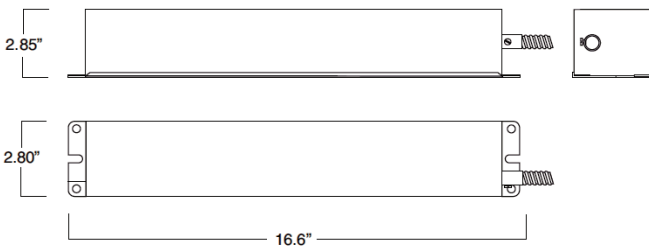


Adjustable Aircraft Cable

## Emergency Pack Lumen Output Table

CCT	3000K	4000K
Lumen	1760 lm	1890 lm

## Remote Emergency Pack



## Mounting with standard ceiling recessed Junction BOX

