

Vela 5 - Standard



High performing 5-inch aperture cylinder with delivered lumen package of 1570 lm – 5000 lm. Available with aluminum and polycarbonate shroud accessories. Suitable for general illumination for a wide variety of project applications.

Quantity	Type
Project	Note

Electrical System

- 1620 lm (15W – STD)
- 2800 lm (25W – STD)
- 3850 lm (35W – STD)
- 5000 lm (45W – STD)
- Power Input: Universal (120-277V)
- Operating Temperature: -13°F~112°F
- Surge Protection: 4KV

LED Technology

- 3000K, 3500K, 4000K
- 85 CRI
- Beam Angle: 10°, 30°, 45°, 55°
- Rated Life > 60,000 hours (L70)

Advanced Dimming

Proprietary VX Driver is incorporated to all dimming options for video flicker-free lighting

- Superior 0-10V: dims to off

Mounting

- Surface Mount
- Cord Mount 10ft
- Stem 2ft or 4ft
- Adjustable Aircraft Cable 10ft
- Sloped Adjustable Aircraft Cable 10ft

Housing

- Diameter: 5.3" (135mm)
- Luminaire Height:
 - Standard / 9.7" (294mm)
 - PCS 12" / 14" (246mm)
 - PCS 16" / 17" (355mm)
 - ALS 12" / 14" (246mm)
 - ALS 16" / 17" (355mm)
- Material: Aluminum
- Weight:
 - Standard / 3.8 lbs
 - PCS 12" / 4.9 lbs
 - PCS 16" / 4.9 lbs
 - ALS 12" / 5.1 lbs
 - ALS 16" / 5.1 lbs

Warranty

- 5 years limited warranty.

Listing

- ELT Damp Location Listed
- FCC
- CE



Vela 5 - Standard



How To Specify:

Ordering Example:VA5-STD-45-408-UNV-SPV-45-BLK-CM10

4-5 weeks lead time on over 75% of specifications.

Model	Type	Wattage	CCT / CRI	Voltage	Dimming
VA5				UNV	SPV
VA5	STD Standard Cylinder	15 15W	308 3000K / CRI85	UNV 120-277V	SPV 0-10V dims to off
Vela 5	PCS12 Polycarbonate Shroud 12"	25 25W	358 3500K / CRI85		
	PCS16 Polycarbonate Shroud 16"	35 35W	408 4000K / CRI85		
	ALS12 Aluminum Shroud 12"	45 45W			
	ALS16 Aluminum Shroud 16"				

Beam Angle	Finish	Mounting	Accessories
10 10°	BLK Black WHT White	SUM Surface Mount	CON ² Conical Lens
30 30°		CM10 ¹ Cord Mount 10ft	
45 45°		ST2 Stem 2ft	
55 55°		ST4 Stem 4ft	
		AD10 Adjustable Cable 10ft	
		SAD10 Sloped Adjustable Cable 10ft	
*Beam Angles only apply to STD fixture		¹ CM10 only applies to STD fixture	² Please factor in -15% change in lumen output with CON

Current Consumption

Wattage \ Volt	120V	277V
15W	0.14A	0.06A
25W	0.23A	0.10A
35W	0.32A	0.14A
45W	0.42A	0.18A

Vela 5 - Standard

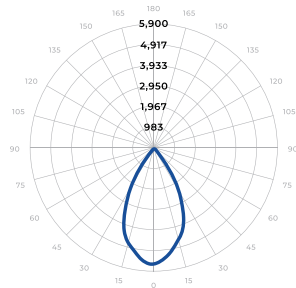


Delivered Lumens*

Wattage	15W	25W	35W	45W	Wattage	15W	25W	35W	45W	Wattage	15W	25W	35W	45W
	STD					ALS 12					PCS 12			
CCT					CCT					CCT				
4000K	1620 lm	2800 lm	3850 lm	5000 lm	4000K	1320 lm	2250 lm	3080 lm	4000 lm	4000K	1280 lm	2150 lm	2970 lm	3820 lm
3500K	1600 lm	2770 lm	3810 lm	4900 lm	3500K	1300 lm	2240 lm	3050 lm	3960 lm	3500K	1260 lm	2150 lm	2950 lm	3810 lm
3000K	1570 lm	2710 lm	3730 lm	4800 lm	3000K	1280 lm	2190 lm	2990 lm	3880 lm	3000K	1240 lm	2110 lm	2890 lm	3730 lm

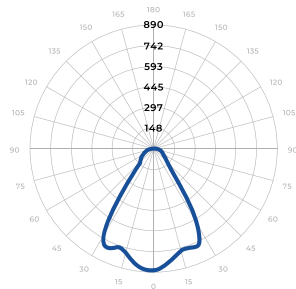
*Tolerance±8% | Beam Angle: 55°

Typical Photometry Summary



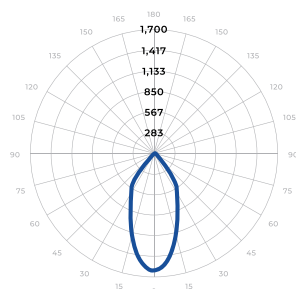
STD

Total delivered lumens: 2800 Lumens
 Input watts at 120V: 25W
 Efficacy: 112 Lumens/Watt
 Source: LED
 Beam Angle: 55°
 CCT/CRI: 4000K/85CRI



PCS 12

Total delivered lumens: 2150 Lumens
 Input watts at 120V: 25W
 Efficacy: 86 Lumens/Watt
 Source: LED
 CCT/CRI: 4000K/85CRI

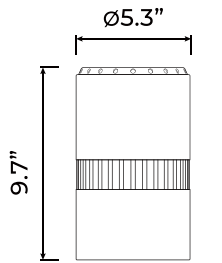


ALS 12

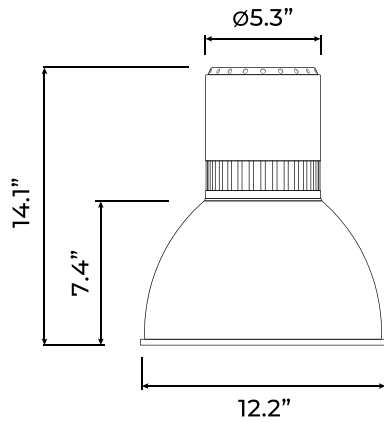
Total delivered lumens: 2250 Lumens
 Input watts at 120V: 25W
 Efficacy: 90 Lumens/Watt
 Source: LED
 CCT/CRI: 4000K/85CRI

Vela 5 - Standard

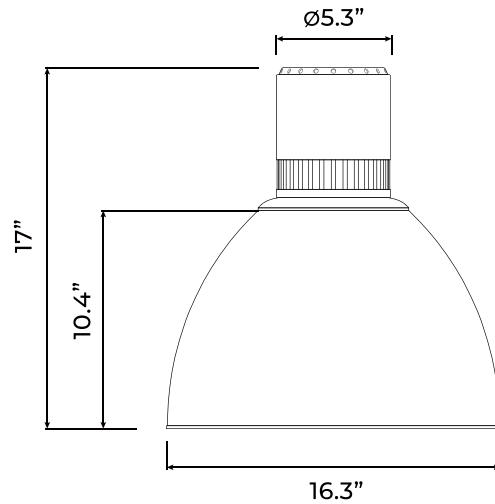
Dimensions



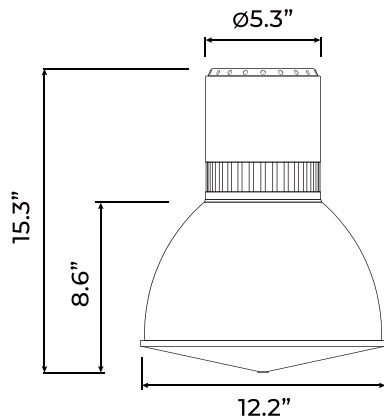
Standard Cylinder



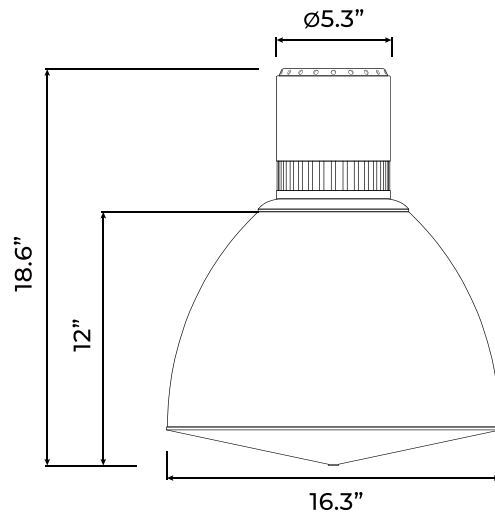
Aluminum Shroud 12"
Polycarbonate Shroud 12"



Aluminum Shroud 16"
Polycarbonate Shroud 16"



Conical Lens 12"

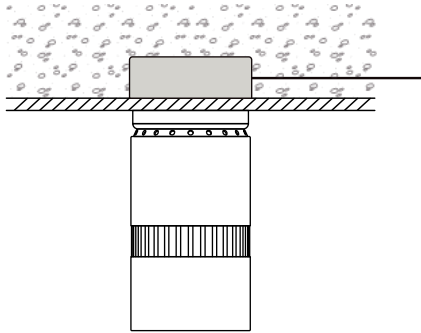


Conical Lens 16"

Vela 5 - Standard

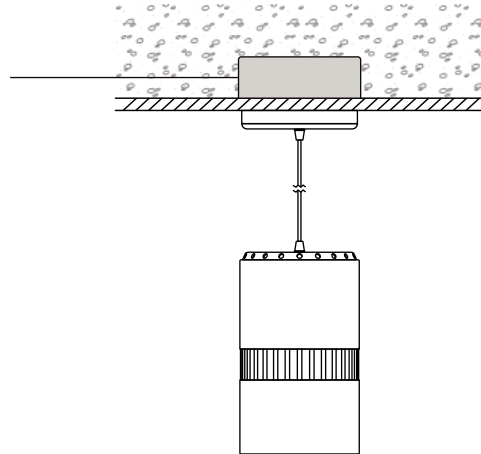


Mounting Options

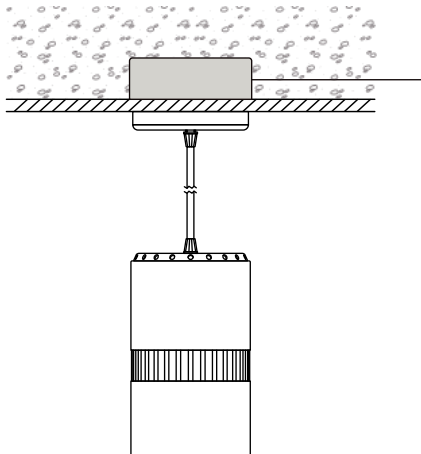


Surface Mount

Junction Box
(Not included)

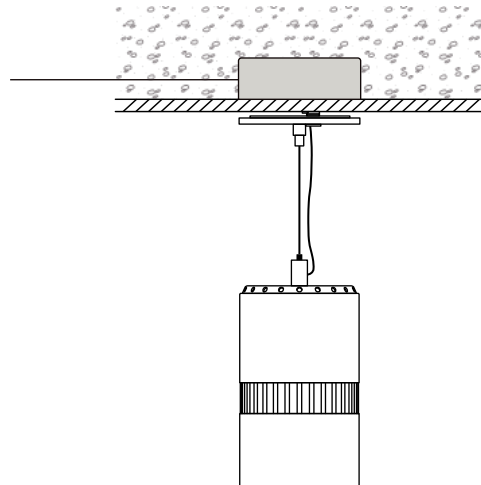


Cord Mount 10ft



Stem Mount 2ft /4ft

Junction Box
(Not included)



Aircraft Cable