

Vela 4 - Standard



High performing 4-inch aperture cylinder with delivered lumen package of 1480 – 2400 lm. Available with aluminum and polycarbonate shroud accessories. Suitable for general illumination for a wide variety of project applications.

Quantity	Type
Project	Note

Electrical System

- 1480 lm (15W – STD)
- 2400 lm (25W – STD)
- Power Input: Universal (120-277V)
- Operating Temperature: -13°F~112°F
- Surge Protection: 4KV

LED Technology

- 3000K, 3500K, 4000K
- 85 CRI
- Beam Angle: 10°, 25°, 35°, 55°
- Rated Life > 60,000 hours (L70)

Advanced Dimming

Proprietary VX Driver is incorporated to all dimming options for video flicker-free lighting

- Superior 0-10V: dims to off

Mounting

- Surface Mount
- Cord Mount 10ft
- Stem 2ft or 4ft
- Adjustable Aircraft Cable 10ft
- Sloped Adjustable Aircraft Cable 10ft

Housing

- Diameter: 4.2" (106 mm)
- Luminaire Height:
 - Standard / 10.3" (261 mm)
 - PCS 12" / 15.5" (394 mm)
 - PCS 16" / 18.5" (470 mm)
 - ALS 12" / 15.5" (394 mm)
 - ALS 16" / 18.5" (470 mm)
- Material: Aluminum Body and Heat Sink
- Weight:
 - Standard / 3.8 lbs
 - PCS 12" / 4.9 lbs
 - PCS 16" / 4.9 lbs
 - ALS 12" / 5.1 lbs
 - ALS 16" / 5.1 lbs

Warranty

- 5 years limited warranty

Listing

- ETL Damp Location Listed
- FCC
- CE



Vela 4 - Standard



How To Specify:

Ordering Example:VA4-STD-25-408-UNV-SPV-45-BLK-CM10

4-5 weeks lead time on over 75% of specifications.

Model	Type	Wattage	CCT / CRI	Voltage	Dimming
VA4				UNV	SPV
VA4	STD Standard Cylinder	15 15W	308 3000K / CRI85	UNV 120-277V	SPV 0-10V dims to off
Vela 4	PCS12 Polycarbonate Shroud 12"	25 25W	358 3500K / CRI85		
	PCS16 Polycarbonate Shroud 16"		408 4000K / CRI85		
	ALS12 Aluminum Shroud 12"				
	ALS16 Aluminum Shroud 16"				

Beam Angle	Finish	Mounting	Accessories
10 10°	BLK Black WHT White	SUM Surface Mount	CON ² Conical Lens
25 25°		CM10 ¹ Cord Mount 10ft	
35 35°		ST2 Stem 2ft	
55 55°		ST4 Stem 4ft	
		AD10 Adjustable Cable 10ft	
		SAD10 Sloped Adjustable Cable 10ft	
Note: Beam Angles only apply to STD fixture		¹ CM10 only applies to STD fixture	² Please factor in -15% change in lumen output with CON

Current Consumption

Wattage \ Volt	120V	277V
15W	0.14A	0.06A
25W	0.23A	0.10A

Vela 4 - Standard



Delivered Lumens*

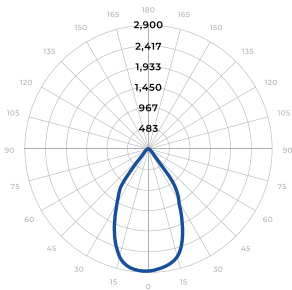
Wattage	15W	25W
CCT	STD Cylinder	
4000K	1530 lm	2400 lm
3500K	1510 lm	2370 lm
3000K	1480 lm	2320 lm

Wattage	15W	25W
CCT	ALS 12	
4000K	1350 lm	2100 lm
3500K	1310 lm	2080 lm
3000K	1300 lm	2040 lm

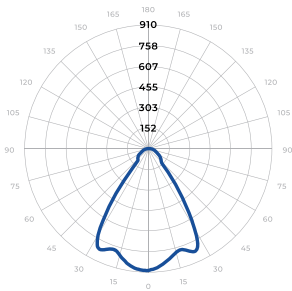
Wattage	15W	25W
CCT	PCS 12	
4000K	1250 lm	2000 lm
3500K	1250 lm	1960 lm
3000K	1240 lm	1920 lm

*Tolerance±8% | Beam Angle: 55°

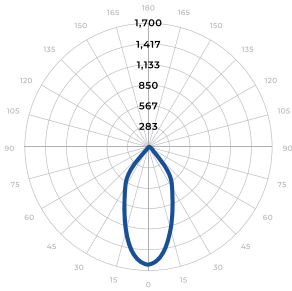
Typical Photometry Summary



STD
 Total delivered lumens: 2,400 Lumens
 Input watts at 120V: 25W
 Efficacy: 96 Lumens/Watt
 Source: LED
 Beam Angle: 55°
 CCT/CRI: 4000K/85CRI



PCS 12
 Total delivered lumens: 2000 Lumens
 Input watts at 120V: 25W
 Efficacy: 80 Lumens/Watt
 Source: LED
 CCT/CRI: 4000K/85CRI

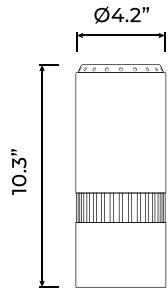


ALS 12
 Total delivered lumens: 2100 Lumens
 Input watts at 120V: 25W
 Efficacy: 84 Lumens/Watt
 Source: LED
 CCT/CRI: 4000K/85CRI

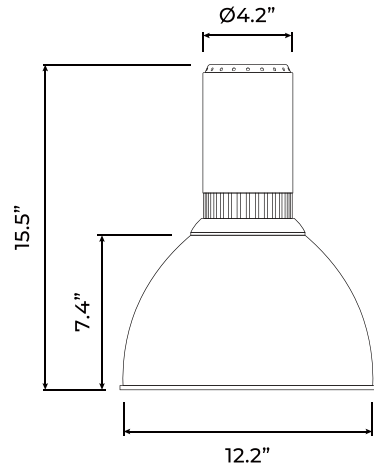
Vela 4 - Standard



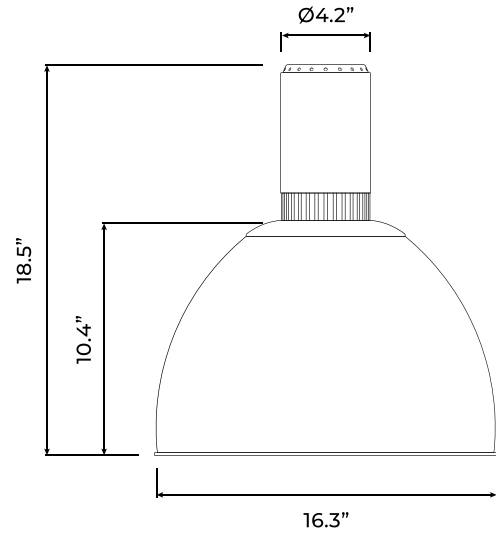
Dimensions



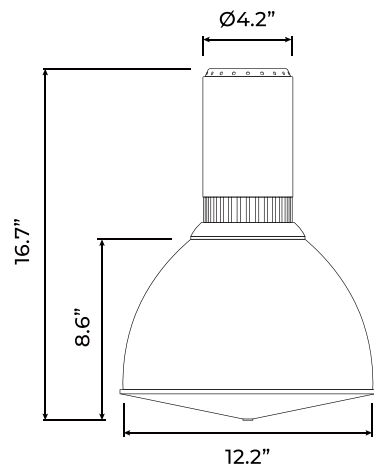
Standard Cylinder



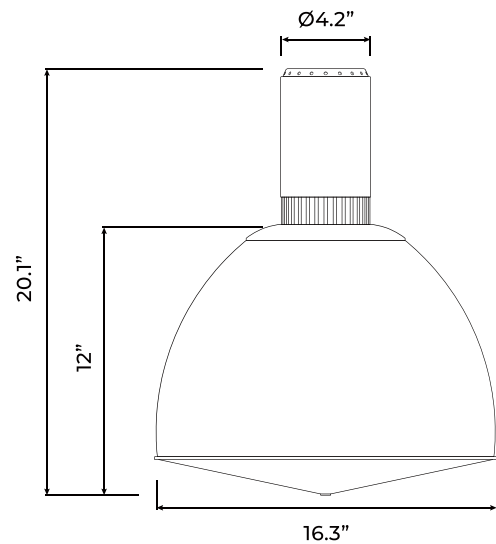
Aluminum Shroud 12"
Polycarbonate Shroud 12"



Aluminum Shroud 16"
Polycarbonate Shroud 16"



Conical Lens 12"

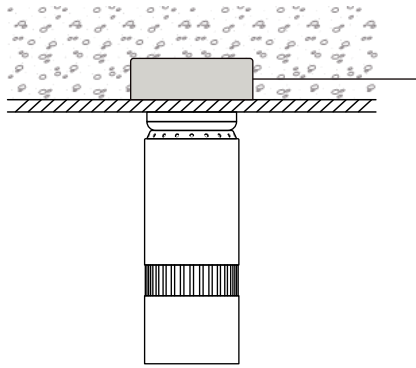


Conical Lens 16"

Vela 4 - Standard

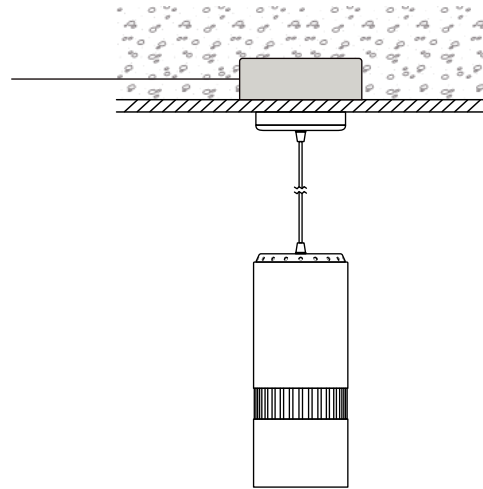


Mounting Options

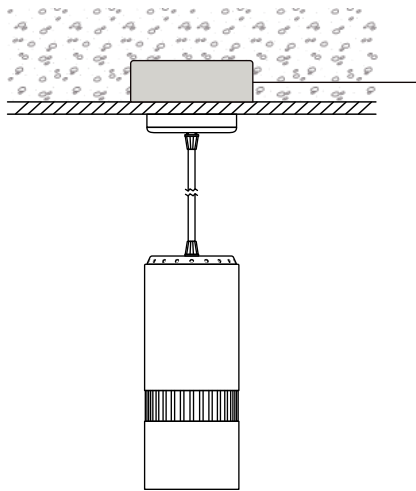


Surface Mount

Junction Box
(Not included)

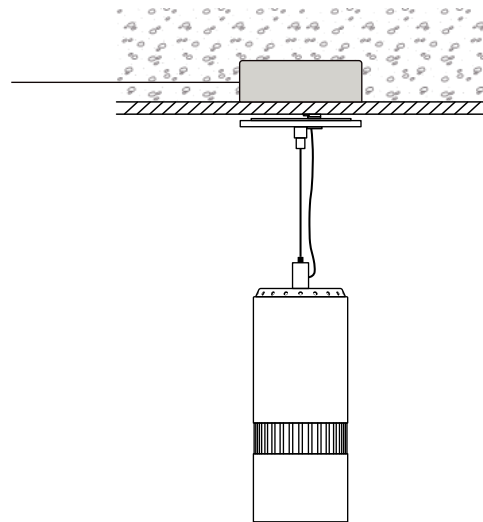


Cord Mount 10ft



Stem Mount 2ft /4ft

Junction Box
(Not included)



Aircraft Cable